

Builders Hardware Catalog 4Plus



Table of Contents

Page #

| | |
|--|----------------|
| General Information | 3 - 23 |
| Hinge Types | 3 |
| Bearings | 4 |
| Knuckle Features | 5 |
| Tips | 6 |
| Pins | 7 |
| Hinge Selection | 8 - 14 |
| Reference Charts | 15 - 17 |
| Hand of Doors and Hinges | 18 |
| Hinge Swaging | 19 |
| Screws and Fasteners | 20 - 21 |
| Finishes | 22 - 23 |
| Full Mortise Hinges | 24 - 39 |
| Full Mortise Bearing Hinges - Five Knuckle Heavy Weight StormPro® Series | 24 |
| Full Mortise Plain Bearing Hinges - Two Knuckle Standard Weight Series | 25 |
| Full Mortise Bearing Hinges - Two Knuckle Standard Weight Series | 26 |
| Full Mortise Bearing Hinges - Two Knuckle Heavy Weight Series | 27 |
| Full Mortise Plain Bearing Hinges - Three Knuckle Standard Weight Series | 28 |
| Full Mortise Bearing Hinges - Three Knuckle Standard Weight Series | 29 |
| Full Mortise Bearing Hinges - Three Knuckle Heavy Weight Series | 30 |
| Full Mortise Institutional Hinges - Three Knuckle Heavy Weight Series | 31 |
| Swing Clear Full Mortise Bearing Hinges - Three Knuckle Heavy Weight Series (Reversible) | 32 |
| Full Mortise Plain Bearing Hinges - Five Knuckle Standard Weight Series | 33 |
| Full Mortise Bearing Hinges - Five Knuckle Standard Weight Series | 34 |
| Wide Throw Full Mortise Bearing Hinges - Five Knuckle Standard Weight Series | 35 |
| Full Mortise Bearing Hinges - Five Knuckle Heavy Weight Series | 36 |
| Wide Throw Full Mortise Bearing Hinges - Five Knuckle Heavy Weight Series | 37 |
| Swing Clear Full Mortise Bearing Hinges - Five Knuckle Standard Weight Series (Reversible) | 38 |
| Swing Clear Full Mortise Bearing Hinges - Five Knuckle Heavy Weight Series (Reversible) | 39 |
| Pivots | 41 |
| Standard Duty Center Hung Jamb Mount Pivot Set | 41 |
| Full Mortise Anchor Hinge Sets | 45 - 48 |
| Half Mortise Hinges | 49 - 55 |
| Half Mortise Plain Bearing Hinges - Five Knuckle Standard Weight Series (Reversible) | 49 |
| Half Mortise Bearing Hinges - Five Knuckle Standard Weight Series (Reversible) | 50 |
| Half Mortise Bearing Hinges - Three Knuckle Standard Weight Series (Reversible) | 51 |
| Half Mortise Bearing Hinges - Three Knuckle Heavy Weight Series (Reversible) | 52 |
| Half Mortise Bearing Hinges - Five Knuckle Heavy Weight Series (Reversible) | 53 |
| Swing Clear Half Mortise Bearing Hinges - Three Knuckle Heavy Weight Series (Reversible) | 54 |
| Swing Clear Half Mortise Bearing Hinges - Five Knuckle Heavy Weight Series (Reversible) | 55 |
| Half Surface Hinges | 57 - 63 |
| Half Surface Bearing Hinges - Three Knuckle Standard Weight Series (Reversible) | 57 |
| Half Surface Bearing Hinges - Three Knuckle Heavy Weight Series (Reversible) | 58 |
| Half Surface Plain Bearing Hinges - Five Knuckle Standard Weight Series (Reversible) | 59 |
| Half Surface Bearing Hinges - Five Knuckle Standard Weight Series (Reversible) | 60 |
| Half Surface Bearing Hinges - Five Knuckle Heavy Weight Series (Reversible) | 61 |
| Swing Clear Half Surface Bearing Hinges - Three Knuckle Heavy Weight Series (Reversible) | 62 |
| Swing Clear Half Surface Bearing Hinges - Five Knuckle Heavy Weight Series (Reversible) | 63 |
| Full Surface Hinges | 65 - 70 |
| Full Surface Bearing Hinges - Three Knuckle Heavy Weight Series | 65 |
| Full Surface Bearing Hinges - Five Knuckle Heavy Weight Series | 66 |
| Full Surface Bearing Hinges - Three Knuckle Standard Weight Series | 67 |
| Full Surface Bearing Hinges - Five Knuckle Standard Weight Series | 68 |
| Full Surface Swing Clear Bearing Hinges - Three Knuckle Heavy Weight Series | 69 |
| Full Surface Swing Clear Bearing Hinges - Five Knuckle Heavy Weight Series | 70 |

| | |
|--|------------------------------|
| Spring Hinges & Pivots | 71 - 84 |
| Full Mortise Single Acting Standard Weight Spring Hinge | 71 |
| Full Mortise Single Acting Standard Weight Spring Hinge Set | 72 |
| Half Surface Single Acting Standard Weight Spring Hinge | 73 |
| Heavy Duty Double Acting Spring Butt Hinge | 74 |
| Full Mortise Single Acting Adjustable Spring Hinge | 75 |
| Heavy Duty Adjustable Tension Simplex Half Surface Double Acting Door Spring | 76 |
| Simplex Full Mortise Double Acting Spring Butt Hinge | 77 - 79 |
| Simplex Double Acting Clamp Flange Spring Butt Hinge | 80 |
| Simplex Half Surface Double Acting Spring Butt Hinge | 81 |
| Ajax Double Acting Horizontal Spring Pivot Hinge | 82 |
| Sagless Double Acting Gate Spring Pivot Hinge | 83 |
| Lightweight Double Acting Gravity Pivot Hinge | 84 |
| Miscellaneous Hardware | 85 - 88 |
| Hinge Back Plate | 85 |
| Combination Strike and Stop | 86 |
| Emergency Door Stop | 87 |
| Double Lipped Strike | 88 |
| Specialty Hinges | 89- 99 |
| Electrolynx Hinge (QC Option) | 89 |
| Concealed Circuit Electric Hinge (CC Option) | 90 |
| Serviceable & Accessible Hinges (SER & ACC Option) | 91 |
| Magnetic Monitoring Hinge (MM Option) | 92 |
| Junction Box for Electric Hinges | 93 |
| Pocket Pivot Hinge | 94 |
| Standard Weight Loose Pin Hinges | DISCONTINUED 95 |
| Full Mortise Five Knuckle Plain Bearing Light Weight Hinges | 96 |
| Olive Knuckle Full Mortise Standard Weight Bearing Hinge | DISCONTINUED 97 |
| Raised Barrel Full Mortise Standard and Heavy Weight Hinges | 98 |
| Slip In Full Mortise Type I and Type II Standard Weight Bearing Hinges | 99 |
| Full Mortise Interim Hinges | 100 |
| Aluminum Continuous Hinges | 101 - 116 |
| Full Mortise | 107, 108, 111, 112, 115 |
| Full Surface | 110, 114 |
| Half Surface | 113 |
| Aluminum Continuous Hinge Clearance Dimensions | 116 |
| Stainless Continuous Hinges and Edge Guards | 117 - 156 |
| Full Mortise | 124 -143 |
| Half Surface | 126, 147 |
| Swing Clear | 132 - 137 |
| Full Surface | 124, 125, 130, 134, 141, 146 |
| 300 Series Edge Guards | 148-151 |
| Stainless and Steel Continuous Hinge Clearance Dimensions | 122 |
| Steel Continuous Hinge | 144 - 147 |
| Full Mortise | 144 |
| Half Surface | 147 |
| Full Surface | 145, 146 |
| Cross Reference | i |
| Numerical Index | Inside Back Cover |

McKINNEY Hinge Catalog

“McKINNEY is comprised of a world class team of highly skilled people focused on exceeding customer needs through innovation and flexibility in the manufacture of architectural building products.”



McKINNEY, Your Source For Hinges

McKINNEY Products Company provides the non-residential construction industry with a full range of commercial door hinges for every need. The information in this catalog will assist you in choosing the hinges that fully satisfy your design and engineering requirements.

Quality And Innovation For More Than 100 Years

McKINNEY Products Company has been a leader in the design and manufacture of quality builder's hardware since 1865. McKINNEY is a subsidiary of ASSA ABLOY. The ASSA ABLOY Group is the world's leading manufacturer and supplier of locking solutions, dedicated to satisfying end-user needs for security, safety and convenience.

McKINNEY produces a full line of commercial door hinges in a variety of finishes, bearings and functions for all interior or exterior applications. Among McKINNEY's many innovations was the oil impregnated bearing which greatly improved the performance of bearing hinges. To meet today's need for greater security applications, McKINNEY developed a variety of electric hinges used in remote door monitoring and access control systems.

Quality, performance and the ability to meet critical construction deadlines have made McKINNEY hinges a first choice for construction projects worldwide.

Hinge Solutions For Every Design Need

McKINNEY hinges and other door hanging hardware provide solutions for the most highly specialized functions as well as decorative requirements. The broad line and exceptional quality ensure getting exactly the right product for your new or retrofit construction projects.

McKINNEY offers the broadest range of full mortise hinges in a variety of metals, finishes, sizes, and weights to meet all your load bearing and security applications. They include two, three, and five knuckle styles, swing clear hinges, wide throw hinges, anchor hinges, electric hinges, institutional hinges, and pivots.

Full Mortise Hinges

McKINNEY offers the broadest range of full mortise hinges in a variety of metals, finishes, sizes, and weights to meet all your load bearing and security applications. They include two, three, and five knuckle styles, swing clear hinges, wide throw hinges, anchor hinges, electric hinges, institutional hinges, and pivots.

Full Surface Hinges

Choose from regular and swing clear models for heavy weight bearing or standard weight bearing applications in a choice of metals, gauges, and sizes. Two knuckle, three knuckle, and five knuckle styles are available.

Security Hinges

McKINNEY produces an assortment of electrical security hinges for a wide variety of control functions. Included are full mortise bearing hinges with either concealed circuitry or concealed switch. In addition, a unique, field-replaceable magnet monitoring hinge, featuring a magnetic reed concealed switch, is available. McKINNEY also produces full mortise institutional hinges for maximum security installations, and our full mortise single acting spring hinge is available with a Tamper Resistant Screw (TRS Option) which is screwed into the tension ratchet after proper tension has been set.

McKinney hinges conform to Government standards CS9-65 and SDI as well as the following standards approved by the Builders hardware Manufacturers / American National Standards Institute:
ANSI/BHMA Standard 156.1 -
The American National Standard for Butts and Hinges

Half Mortise Hinges

Available in a choice of metals, gauges, and sizes for a wide range of door thicknesses. You may specify plain bearing, standard weight bearing, or heavy weight bearing models. Regular and swing clear applications. Two knuckle, three knuckle, as well as five knuckle styles are available.

Half Surface Hinges

Heavy weight bearing, standard weight bearing, and plain bearing hinges in a range of metals, gauges, and sizes. Regular and swing clear applications. Two knuckle, three knuckle, and five knuckle styles

Spring and Specialty Hinges

A full range of spring hinges are available for all types of door sizes, weights, and applications. Included are full mortise single acting hinges, single acting reverse spring hinges, full mortise double acting hinges, and half surface double acting hinges, plus our heavy duty spring butt hinge that permits doors to open 90° in either direction. In addition, McKINNEY produces a variety of hinges for special applications including anchor hinges, wide throw hinges, swing clear hinges, and pocket hinges.

ANSI/BHMA Standard 156.7 -
The American National Standard for Template Hinge Dimensions
ANSI/BHMA Standard 156.17 -
The American National Standard for Self-Closing Hinges & Pivots
ANSI/BHMA Standard 156.18 -
The American National Standard for Material and Finishes

Continuous Hinges

McKINNEY self-aligning continuous hinges extend the full height of the door. These hinges bond the door and frame into an integrated unit and present a streamlined, no-gap surface, affording privacy, safety, and outstanding performance. The high load capacity of these hinges makes them ideal for use in high-frequency areas where hinges are subject to abuse. The hinge design affords resistance to vandalism. McKINNEY continuous geared hinges are warranted for the life of the building. UL listed in both the USA and Canada up to 3 hour (A label) application. These hinges are available in aluminum, stainless and steel.

Misc.

McKINNEY provides a standard duty center hung jamb mount pivot set.

Additionally, we provide emergency door stops, strikes, and stainless steel edge guards.

The most up to date Templates are available on our website @ www.mckinneyhinge.com

McKINNEY Hinge Catalog Bearings

Oil Impregnated Bearing (TA)

One piece, non-ferrous, and self-lubricating bearings ensure even longer-lasting wear and resistance to clogging, corrosion, and hinge failure. This feature is standard and supplied on all five knuckle bearing hinges.



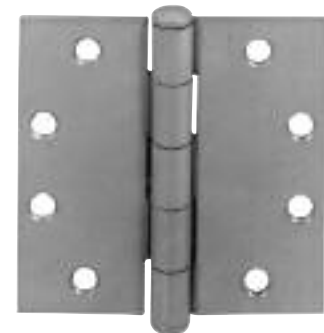
Ball Bearing (TB)

Ball bearings are available on all five knuckle bearing hinges 6" and over in height as a standard. For other sizes they are furnished as an option by written request.



Concealed, anti-friction type bearings are available on all five knuckle bearing hinges, which provide long-lasting wear and consistency of hinge barrel design.

Note: All three and two knuckle bearing hinges are provided with concealed, anti-friction type bearings (designated TA).



Plain Bearing

This is the designation for non-bearing hinges. Knuckles are machined with bearing-like surfaces to move against one another. These are not recommended for high frequency doors or doors with closing devices. These hinges are not approved for use in labeled openings. An anti-friction component is provided on all McKINNEY three knuckle and Moderne (two knuckle) plain bearing hinges.



Number of Bearings (Five Knuckle Only)

Standard gauge McKINNEY three knuckle and five knuckle bearing hinges (.123 - .160) are supplied with two bearings. These hinges are intended for use on doors subjected to average traffic in residential and light commercial construction. Four bearings can be specified (T4A2714/T4A2314) on some five knuckle hinges.

Heavy gauge McKINNEY hinges (.180 - .203) are regularly furnished with four bearings. 8" five knuckle hinges supplied with six bearings. These hinges are intended for use on heavy doors and high frequency doors for all types of construction.

Note: One bearing carries the vertical load on two bearing hinges. On four bearing hinges, two bearings carry the load.

Door weight, height, width, thickness and frequency of operation are all factors in determining the proper hinge. Four bearing hinges should be specified whenever there is any question.

McKINNEY steel or stainless steel based Bearing Hinges are approved for use on Labeled Applications based upon Table 1 Reference NFPA-80 Table 2-8.1.1 1995 Builders hardware. See catalog page 17 for additional information.

Moderne Two Knuckle

This model offers the most security in a standard hinge. The bearing hinges have a concealed stainless steel oil-impregnated bearing. Also, an anti-friction bushing in the door leaf provides additional protection against vertical and lateral wear.

- Plain bearing hinges have an anti-friction component inserted between the two knuckles
- The Moderne two knuckle hinge is available in stainless steel
- Standard and heavy weight
- Pins in all bearing hinges are stainless steel
- Pins in plain bearing hinges are steel
Stainless steel pins are available.
- Standard hinges are packed with all machine by all wood screws
- By design, pins are non-rising, non-removable and tamper protected by a flush, non-removable cap at the end of the barrel. A door can not be removed when in the closed position, thus affording maximum security. Intermediate hinges can be ordered opposite hand and installed upside down, to inhibit removal of the door in an open position
- Available non-removable door (NRD) hinges have a dowel in the barrel. One NRD hinge can be ordered per set
- Two knuckle hinges are handed
- Template hinges are made to conform to U.S. Government standards*

*Template hinges are made in sizes, gauges, and with screw holes located to conform to ANSI/BHMA A156.7 and U.S. Government standards CS9-65 and SDI. Templates are available on request.

Three Knuckle

Bearing hinges have concealed vertical and lateral thrust twin anti-friction type bearings at both joints.

- Plain bearing hinges have an anti-friction T bushing at both joints
- Pin stems in all non-ferrous bearing hinges are stainless steel
- Pins in all ferrous hinges are steel
- Pins in all hinges are non-rising type
- Standard hinges are packed with all machine by all wood screws
- Hinges are reversible for right or left hand except anchor hinges and certain electric hinges
- Template hinges are made to conform to U.S. Government standards*

PSF - Prison Safety Feature

A 7/16" diameter stud projects from the back of each leaf which slips into a hole in the hinge reinforcing plates in both the door and the frame. This prevents the hinge from being removed even if the screws have been sheared off. This option is available on the HTA786 steel and HTA386 stainless prison hinge only.



NOTE:
Dimensions and weights indicated throughout this catalog are in US/SI units; metric equivalents in millimeters and kilograms are shown in parenthesis.

Five Knuckle

Bearing hinges are furnished with either an oil-impregnated bearing (TA*) or ball bearing (TB). (TA is standard unless TB is specified.) Concealed bearings (TCA) are available.

- Pin stems in all non-ferrous bearing hinges are stainless steel
- Pins in all ferrous hinges are steel
- Pins in all hinges are non-rising type
- Pin caps are made of the same material as the hinge
- Template hinges are made to conform to U.S. Government standards*

* Refer to our website at www.mckinneyhinge.com for additional information regarding McKinney bearings.

SSF - Safety Stud Feature

A stud attached to the face of one leaf rotates into a cavity in the opposite leaf when the door is closed. This option interlocks the two leaves together, preventing the removal of the door even if the pin is removed.



Standard Tips

Button Tips and plugs are standard on McKINNEY five knuckle hinges and can be furnished on three knuckle hinges as an option. These tips can be specified on three knuckle hinges by adding the suffix "E.T." (exposed tip).

Flush pins and plugs are furnished on our two and three knuckle hinges.



Hospital Tips

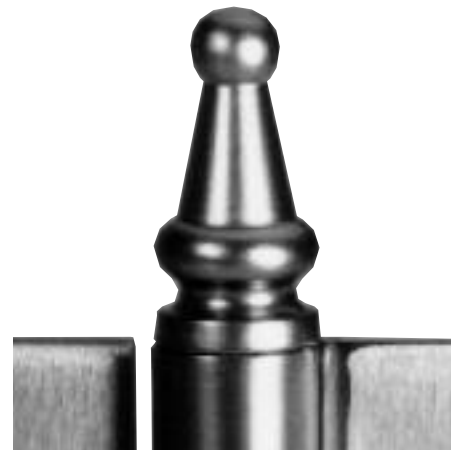
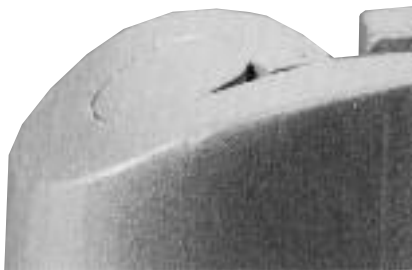
Hospital tips which feature a one-piece non-removable pin with tapered tips. To order this option prefix our hinge number by "H". The hospital tip feature by design makes the pin virtually non-removable.

Ball Tips

Ball Tips, made of solid brass, are available on three and five knuckle hinges for a more decorative hinge appearance. To order this option add the suffix "BT" to the hinge number.

Steeple Tips

Steeple Tips, made of solid brass, are available on three and five knuckle hinges for a more decorative hinge appearance. To order this hinge option, add the suffix "ST" to the hinge number.



Pins, by design, are non-rising, non-removable and tamper protected by a flush, non-removable cap at the end of the barrel.

Two Knuckle

Plain Bearing pins are furnished in steel and can be ordered with stainless steel pins as an option. To order this option, add the suffix "SSP" to the hinge number. Pins on bearing hinges are furnished in stainless steel.



Three Knuckle

Pin stems in all non-ferrous bearing hinges are stainless steel. Pins in all ferrous hinges are steel.



Five Knuckle

Pins on all non-ferrous bearing hinges are stainless steel with the button tips manufactured of the same material as the hinge leaves.

Pins on all ferrous hinges are steel. These hinges are available with optional brass pins or stainless steel pins. To order these options, add the suffix "BR" (brass) or "SSP" (stainless).



Non-Removable Pins

NRP

A set screw is driven into the barrel of the hinge that is inaccessible when the door is in the closed position. To order, add the suffix "NRP" to the hinge number.

NRD

Two knuckle hinges are available with a non-removable pin which features a dowel which is force fitted into the jamb leaf. When the door is hung, the pin is completely concealed and impossible to remove. One doweled hinge is usually furnished per set of three. To order, add the suffix "NRD" to the hinge number.

McKINNEY Hinge Catalog

Hinge Selection

Common Flush Door/Wall/Frame Application

McKinney[®]

ASSA ABLOY

This section will seek to address different variations of door, frame and wall conditions which you might encounter in hanging the door and the product solutions offered by McKINNEY.

Included are some of the more common conditions and some of the not-so-common conditions. The focus here will be on the type of hinge to use within a given door/frame/wall condition. The following examples are

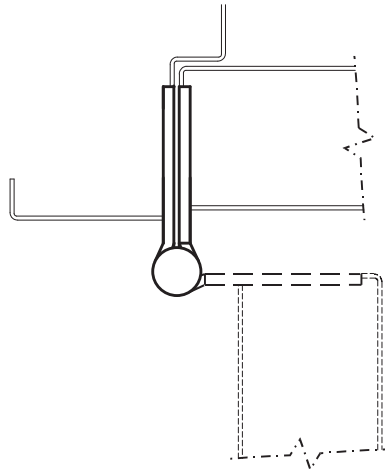
not intended to cover every possible situation in which a particular type hinge might be used, but only a representative sampling. Consult the factory for any unusual installation requirements not shown here.

Full Mortise Hinge

The most common application is a flush door/frame/wall condition using a hollow metal frame with a standard hollow metal or wood door which is flush or $\frac{1}{16}$ " inset from the face of the frame, with a wall which is either flush (or inset from the face of the frame. Recommended to hang door for 180° swing: **Full Mortise Hinge**. The same hinge could be used with a wood or aluminum frame provided the door/frame/wall conditions are flush.

Note: A fire labeled wood door requires sufficient hinge reinforcement to use this type hinge.

APPLICATION



MCK TA2714



Round Corner Option

Furnished as $\frac{1}{4}$ " radius unless specified otherwise. $\frac{5}{32}$ " may be specified on full mortise hinges $4\frac{1}{2}$ " or larger. Specify option "RC".

MCK RCT2714

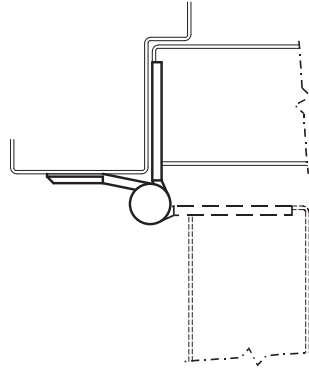


Less common flush door/frame/wall conditions requiring different type hinges would include:

Half Mortise Hinge

A hollow metal or wood door with channel iron frame. Recommended to hang door for 180° swing:
Half Mortise Hinge.

APPLICATION



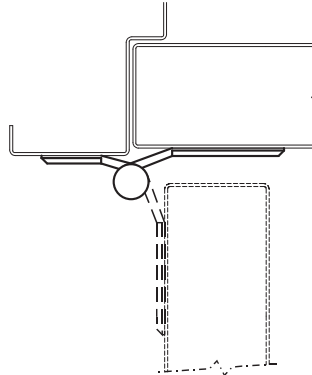
MCK TA2774



Full Surface Hinge

A fire labeled wood door (without sufficient hinge reinforcement) or a kalamein (metal-clad wood door) with channel iron frame. Recommended to hang door for 180° swing:
Full Surface Hinge. On fire labeled wood doors, the door leaf is hung using a back plate with grommet nuts and bolts. Another popular application for this type hinge is a tubular steel gate hung on a channel iron frame.

APPLICATION



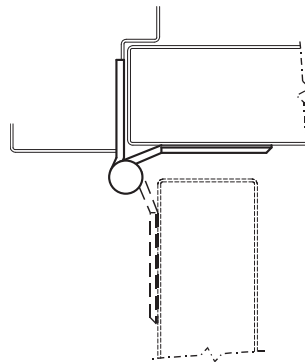
MCK TA2771



Half Surface Hinge

A fire labeled wood door (without sufficient hinge reinforcement) or a kalamein (metal-clad wood door) with hollow metal frame. Recommended to hang door for 180° swing:
Half Surface Hinge. On fire labeled wood doors, the door leaf is hung using a back plate with grommet nuts and bolts.

APPLICATION



MCK TA2772



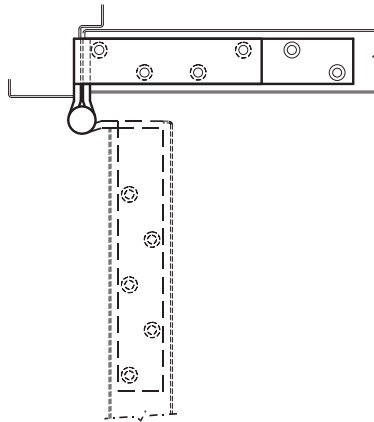
Variations of the basic hinge types may be needed to accommodate special situations in flush door/frame/wall conditions:

Note: General aforementioned guidelines regarding selection of basic hinge types with respect to door and frame types including fire labeled and applicable to any variations of those hinge types listed hereafter. Variations may not be listed or available in all basic hinge types. Consult the factory for availability.

Anchor Hinge

On high frequency and/or heavy wood or metal doors, additional anchoring of the hinges into the door and jamb may be necessary. This is a common application in schools, hospitals or any other buildings where heavy traffic and unusual strain on the doors, jamb and hinges is experienced. Recommended to hang door for 180° swing: **Full Mortise Anchor Hinge**. Sold in sets of one full mortise anchor hinge and two heavy weight full mortise hinges.

APPLICATION



MCK TA792



Note: Anchor hinges are handed and sold for either square edge doors on hinge side or beveled (1/8" in 2") edge doors on hinge side. Hand and bevel (McKINNEY uses a "5" in front of the item number to indicate 1/8" in 2" bevel. Example: TA5792) should be specified.

Spring Hinge

Some door/frame/wall and even ceiling conditions make door closers impractical. An alternative closing device is the Spring Hinge. Generally, at least two hinges on a door must be spring hinges to provide adequate closing force. Note: NFPA requires a minimum of two (2) spring hinges on fire labeled doors. With adjustable spring tension on the hinge, the closing speed of the door is determined by the amount of closing force set on the hinge. Spring hinges may not be suitable for applications requiring a closing device with non-critical closing and latching speed adjustments. With respect to meeting ADA requirements for closing devices, carpeting and/or gasketing can interfere with latching. McKINNEY offers both **Full Mortise** and **Half Surface Spring Hinges**.

MCK 1502 (FULL MORTISE TYPE)



McKinney now offers a Reverse Action, 1502R, (by special request) which allows the door to remain in the open position. In addition, for high security applications, we offer the TRS option. This Tamper Resistant Screw is screwed into the tension ratchet after the proper tension has been set.

MCK 1572 (HALF SURFACE TYPE)



McKINNEY Hinge Catalog

Hinge Selection

Special Flush Door/Wall/Frame Applications

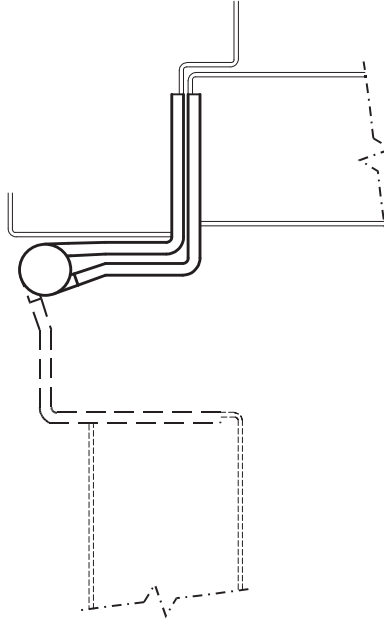
McKinney
ASSA ABLOY

Swing Clear Hinge

A condition which is common in barrier free openings, and especially in hospitals, is how to remove the door edge from the opening at 90° of swing with flush door/wall/ frame conditions. Recommended to hang door with swing to 180°: **Full Mortise Swing Clear Hinge**. The solution offered by this hinge is the offset of the hinge barrel to a location along the face of the hinge jamb, thereby removing the door edge and the barrel of the hinge as obstacles in the opening at 90° or more of swing. If the door is beveled on the hinge side, specify the appropriate beveled hinge and handing for your application*.

* Consult individual Swing Clear catalog pages for beveled hinge product numbers.

APPLICATION



MCK TA2895



Meets or exceeds
 ANSI A117.1 - 1986
*Providing Accessibility
 and Usability for
 Physically
 Handicapped People*

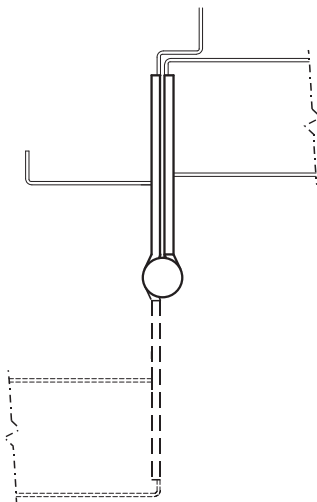
Not all door/frame/wall conditions are flush and, in order to hang the door, other variations on the basic hinge types may be needed.

Wide Throw Hinge

If the door is not flush with the frame, is sitting back in a deep reveal from the face of the frame with or without additional obstacles created by applied trim on the face of the frame or a deeper reveal caused by a projecting wall, and the door is to swing 180°, then a **Full Mortise Wide Throw Hinge** may be used in hanging the door.

Important in this regard is how to calculate the proper width of a wide throw hinge (rounded to the next higher whole number if result is not a whole number: e.g., 6", 7", 8", etc.)

APPLICATION



MCK TA2798



How to Calculate

1. If the door is sitting inside a deep frame reveal with no other obstacles (i.e., projecting trim or wall), add the depth of the reveal (distance from the face of the frame to the face of the door) to the recommended width of hinge used under flush conditions.
 Example: A 6" wide (wide throw) hinge would replace a 4½" wide regular mortise hinge (used under flush conditions) if the depth of the reveal is 1½".
2. If the door is to clear projecting trim or wall **and the barrel of the hinge is not obstructed**, then calculate as follows:

- (a) double the size of the door
- (b) subtract ½" if the door thickness is less than or equal to 2¼" or subtract ¾" if the door thickness is greater than 2¼"
- (c) add for the additional depth from the face of the obstruction to the face of the door
- (d) add for clearance between the door and the face of the obstruction at 180° of swing (generally 1" or more).

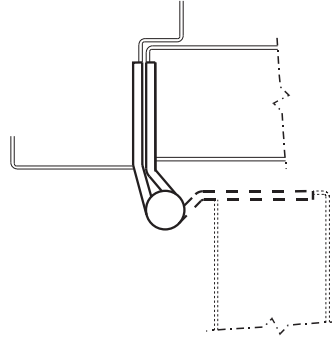
If, for instance, you have a 1¾" thick door:

- (a) 1¾" door thickness x 2 = 3½"
- (b) less ½" equals 3"
- (c) plus 3" for the additional depth from the face of the wall to the face of the door equals 6"
- (d) plus 1" for the clearance between the door and the face of the obstruction at 180° of swing equals 7" overall hinge width.

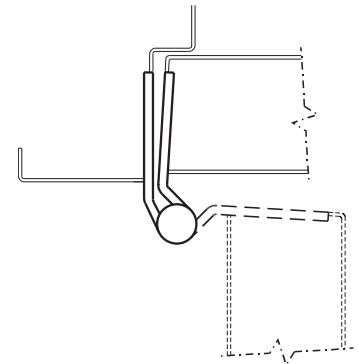
Raised Barrel Hinge

If the door is not flush with the frame but rather is sitting back in a deep reveal from the face of the frame a **Full Mortise Raised Barrel Hinge** may be used in hanging the door. The solution offered by this hinge is the offset of the hinge barrel away from the hinge jamb. Bevel of door edge should be specified.

RAISED BARREL SQUARE EDGE DOOR



RAISED BARREL BEVELED EDGE DOOR

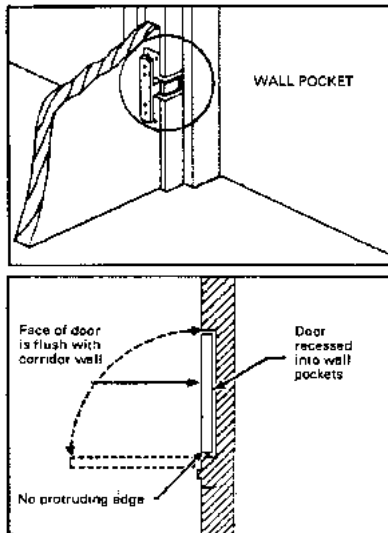


Pocket Hinge

An increasingly popular door, frame and wall condition in corridors is cross-corridor or double egress pairs of doors standing in wall pockets at 90° of swing, so as to be clear of the initial opening and out of the corridor altogether. Solution: **Pocket Hinge**.

As corridor doors are often fire labeled, the hardware must be approved for use in fire labeled openings. Solution: the **McKINNEY PH-4 Pocket Hinge**. U.L. approved for use on both hollow metal and steel covered composite fire doors rated up to 3 hours and on wood core type fire doors rated 20 minutes.

APPLICATION



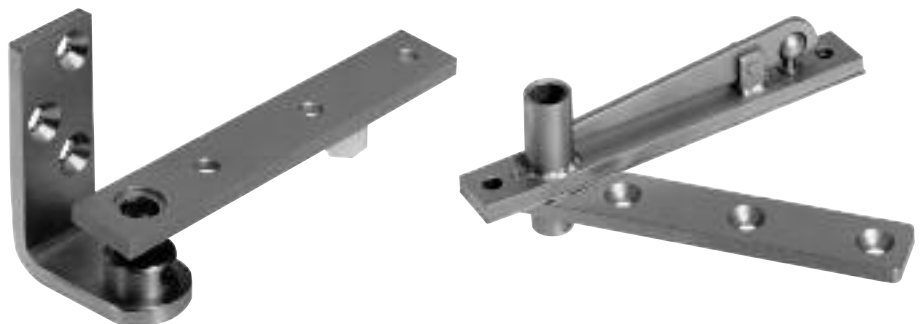
MCK PH-4



Pivots

Recommended for use on average frequency double acting doors in schools, hospitals, institutions and other public buildings. Not for use on labeled doors and frames.

EP-5J



McKINNEY Hinge Catalog Hinge Selection

Aluminum Continuous Hinges

McKINNEY Aluminum Continuous Hinges consist of two anodized, full-height, bearing-gear leaves that are held together by a full-length channel cap. This design provides proper alignment and eliminates premature wear. The geared construction and full-length channel cap seals the gap between the door and frame and provides privacy and security against prying. This feature also provides safety against pinched fingers especially in public areas where children are apt to move throughout the opening. The gear design ensures identical operation of each leaf, and even-distribution of load stress along the full length of the

door and frame which eliminates door sag and binding. Mortising is not necessary, and the hinge doubles as weather stripping on the hinge side. These hinges are tested and **certified by UL® (USA & CANADA)** to standards UL 10C and UBC7.2 (positive pressure) for up to a 3-hour (A-Label) Fire Listing for all 4'0"x10'0" and 8'0"x10'0" door and frame assemblies. Fire testing certification applies to all approved hollow metal and wood door assemblies in dry wall or masonry wall construction. FirePins™ are now only required on **3-Hour (A-label) Assemblies**. These hinges have been

cycle tested using a 150 lb. Door and are now certified fully functional after 1.5 million cycles. The screw hole locations on these hinges are ideally suited for use on **lead lined** doors (i.e. hospital X-ray rooms. Refer to the Aluminum Continuous Hinge page section for additional information.

FULL SURFACE CENTER PIVOT 58HD SERIES



FULL MORTISE 12HD, 14HD, 25HD SERIES



HALF-SURFACE 54HD SERIES



FULL SURFACE 22HD SERIES

may be used as swing clear



Steel and Stainless Steel Continuous Hinges

McKINNEY Steel or Stainless Continuous Hinges are fabricated from independently machined 14 gauge cold rolled steel and finished in prime coat, or 304 stainless steel door leaves. The hinge is held together with a 1/4" stainless steel Teflon coated free moving rod. The hinge works on a split bearing assembly which eliminates premature wear and guarantees proper alignment.

These hinges are **UL® (USA & CANADA)** up to a 3-hour (A-label) Fire Listing for 4'0"x8'0" single doors and 8'0"x8'0" pairs of doors. The non-handed, slim barrel design is recommended for new construction and retrofit installations. Refer to the Steel and Stainless Continuous Hinge page section for additional information.

FULL SURFACE MCK-FS302



FULL MORTISE MCK-FM300, MCK-HG305, MCK-HG315



SWING CLEAR MCK-HG311



Note: Not all products shown. Refer to pages 101 - 153 for additional information on our Aluminum Continuous and Steel & Stainless Continuous Hinges

Quick Reference Chart

| Door, Frame Wall Conditions | Frame Type | Door Type | Hinge Type | Variation of Basic Hinge Type Shown Below (See Note 2) | McKINNEY Example (See Note 3) |
|--|---------------|---|---------------|--|-------------------------------|
| Flush* | Wood or Metal | Wood or Metal | Full Mortise | (not applicable) | TA2714 |
| Flush* | Channel Iron | Wood or Metal | Half Mortise | (not applicable) | TA2774 |
| Flush* | Channel Iron | Kalamein or Fire Labeled Wood Door (see Note 1) | Full Surface | (not applicable) | TA2771 |
| Flush* | Metal | Kalamein or Fire Labeled Wood Door (see Note 1) | Half Surface | (not applicable) | TA2772 |
| Flush* | Metal | Heavy and/or High Frequency Wood or Metal | Anchor | Full Mortise | TA792 |
| Flush* | Wood or Metal | Wood or Metal Requiring Alternative Closing Device | Spring | Full Mortise Half Surface | 1502, 1572 |
| Flush* | Wood or Metal | Wood or Metal Required to Clear Opening at 90° of Swing | Swing Clear | Full Mortise | TA2895 |
| Deep Frame Reveal | Wood or Metal | Wood or Metal with Maximum Swing of 90° to 110° | Raised Barrel | Full Mortise | RBTA2714 |
| Deep Frame Reveal with or without Trim on the Face of the Frame or a Projecting Wall | Wood or Metal | Wood or Metal with swing to 180° | Wide Throw | Full Mortise | TA2798 |
| Wall Pocket at 90° of swing | Metal | Wood or Metal | Pocket Hinge | (not applicable) | PH-4 |

* Includes door and frame conditions of up to 1/8" inset

Notes:

(1) Fire labeled wood door without sufficient hinge reinforcement. Door leaf is hung using back plate with grommet nuts and bolts.

(2) The four basic hinge types are full mortise, half mortise, full surface and half surface. Variations (i.e. anchor, swing clear, raised barrel, wide throw) are available in the basic types shown above but may not be available in all basic hinge types. Consult individual catalog pages for availability.

(3) Consult individual catalog pages for available sizes, weights, materials, versions, bearings and finishes. Hinges for doors beveled (1/8" in 2") on hinge side use 5000 series for 3K hinges (e.g. TA5792); use 4000 series for 5K hinges (e.g., TA4895).

Door Weights

The following wood and metal door weights are provided as a convenience to catalog users. They are approximate and will vary slightly among door manufacturers. The weight of the door hardware should be added to the weights listed below. For any thickness not shown, the individual manufacturer's catalog should be consulted.

| Door Weights (Based upon 3'0"x7'0" Door Size) (Weights do not include hardware) | | | | |
|--|-------------------|-------------------------------------|-------------------|--------|
| Hollow Metal Door Weights by Gauge | | Wood Door Weights by Door Thickness | | |
| Door Gauge - | # Per Square Foot | | # Per Square Foot | |
| 20 Gauge Door | 4 | Door Thickness | 1-3/8" | 1-3/4" |
| 18 Gauge Door | 5 | Particle/Mineral Core | 4.75 | 5.25 |
| 16 Gauge Door | 6 | Stave Core Wood | 3.75 | 4.25 |
| 14 Gauge Door | 7 | Hollow Core Wood | 1.3 | 1.5 |

McKINNEY Hinge Catalog Reference Charts

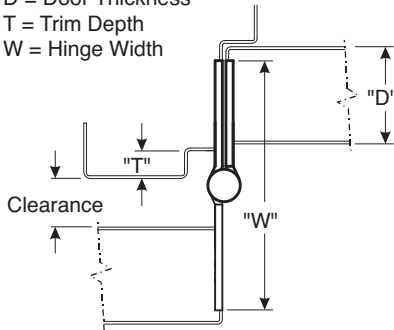
How to Determine the Proper Hinge Width

Knowing the door thickness and trim projection, use the following formula for determining minimum hinge width of all full mortise hinges:

- (1) Door thickness
- (2) Backset
- (3) Required Clearance
- (4) Inset

Door thickness minus the backset multiplied by 2, plus the required clearance, plus the inset (if applicable) will equal the proper hinge width.

D = Door Thickness
T = Trim Depth
W = Hinge Width



For doors up to 2 1/2" thick:
 $W = (2 \times D) + T$
For doors 2 1/2" to 3" thick:
 $W = (2 \times D) + (2 \times T) + 1/4"$

| Trim Clearance | | |
|----------------|-------------|------------------------|
| Door Thickness | Hinge Width | Max Clearance Provided |
| 1 3/8" | 3 1/2" | 1 1/4" |
| | 4" | 1 3/4" |
| 1 3/4" | 4" | 1" |
| | 4 1/2" | 1 1/2" |
| | 5" | 2" |
| | 6" | 3" |
| 2" | 4 1/2" | 1" |
| | 5" | 1 1/2" |
| | 6" | 2 1/2" |
| 2 1/4" | 5" | 1" |
| | 6" | 2" |

The table above indicates the trim clearance provided by hinges of specified widths on flush doors, not inset, of standard thickness. For doors of other thicknesses, apply the proper formula.

The hinge widths of half mortise, half surface and full surface hinges are standard, depending on the hinge length. Note that in these hinge types, the amount of clearance available is determined by the amount of offset and not by the hinge width.

| Recommended Size of Hinges per Door (Wood or Metal) | | | |
|---|---------------------------|-----------------------------|-------------|
| Door Thickness in Inches (MM) | Door Width in Inches (MM) | Hinge Height in Inches (MM) | Hinge Gauge |
| 1 3/8 (35) | Up to 36 (914) | 3 1/2 (89) | .123 |
| 1 3/8 (35) | Over 36 (914) | 4 (102) | .130 |
| 1 3/4 (44) | Up to 36 (914) | 4 1/2 (114) | .134 |
| 1 3/4 (44) | Over 36 - 48 (914 - 1219) | 5 (127) | .134 |
| 1 3/4 (44) | Over 48 (1219) | 6 (152) | .160 |
| 2 - 2 1/2 (51 - 64) | Up to 42 (1067) | 5 (127) HW | .190 |
| 2 - 2 1/2 (51 - 64) | Over 42 (1067) | 6 (152) HW | .203 |

| Installation Type | Expected Frequency | | |
|-------------------------------|--------------------|-----------|---------|
| | Daily | Yearly | |
| COMMERCIAL | | | |
| Commercial Store Entrance | 5,000 | 1,500,000 | High |
| Office Building Entrance | 4,000 | 1,200,000 | |
| Theatre Entrance | 1,000 | 450,000 | |
| School Entrance | 1,250 | 225,000 | |
| School Restroom Door | 1,250 | 225,000 | |
| Store or Bank Entrance | 500 | 150,000 | |
| Office Building Restroom Door | 400 | 118,000 | Average |
| School Corridor Door | 80 | 15,000 | |
| Office Building Corridor Door | 75 | 22,000 | |
| Store Restroom Door | 60 | 18,000 | |
| RESIDENTIAL | | | |
| Entrance | 40 | 15,000 | Low |
| Restroom Door | 25 | 9,000 | |
| Corridor Door | 10 | 3,600 | |
| Closet Door | 6 | 2,200 | |

Note: We recommend that bearing hinges be used on all above categories other than "Residential".

| Recommended Number of Hinges per Door 3'0" Wide (Wood or Metal) | |
|---|----------------------|
| Door Height in Inches (MM) | # of Hinges Per Door |
| Up to 60 (1524) | 2 |
| 60 to 90 (1524 to 2286) | 3 |
| 90 to 120 (2286 to 3048) | 4 |

One Cycle = one complete opening and closing

Note: Another hinge is required for each additional 30"

* Heavy weight hinges should be used on all extra heavy doors or those exposed to high frequency use. Consult the factory for doors wider than 3'0". Five knuckle heavy weight hinges are four bearing. The following gauges of metal may apply:

Heavy weight 4-1/2" (114) high = .180 gauge
Heavy weight 5" (127) high = .190 gauge
Heavy weight 6" (152) high = .203 gauge

Note:
Five knuckle 8" (203) high hinges have six bearings.

Note:
On hinge size the dimension shown is the hinge height. Where full mortise or other hinges with two dimensions are used, the first dimension given is always the height. The second dimension is the hinge width when open.

Underwriters' Laboratories Requirements

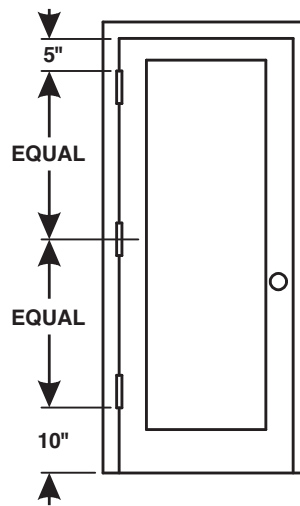
The requirements of the Underwriters' Laboratories, Inc., for fire door hardware are determined by door label, which in turn is established by the location of the opening. The following are the classifications of Underwriter's Laboratories, Inc.

| Door Situation | Location |
|----------------|--|
| Class A | Fire Walls |
| Class B | Vertical Shafts |
| Class C | Corridor & Room Partitions |
| Class D | Exterior Walls (severe fire exposure) |
| Class D | Exterior Fire Escapes (severe fire exposure) |
| Class E | Exterior Walls (moderate fire exposure) |
| Class E | Exterior Fire Escapes (moderate fire exposure) |

On all public and some private heavy construction three hinges are required for each door. This practice is standard under U.S. Government specifications and is required under most building codes and Fire Underwriters' specifications.

Three hinges assure proper door alignment and enable other hardware

to function properly. There is less door warping and less hinge wear. On light wood doors the alignment problem is as great as on heavy doors so less than three hinges should never be considered.



The top of the top hinge should be 5" from the jamb header.

The bottom of the bottom hinge should be 10" from the finished floor.

The center of the center hinge should be equidistant from the other two.

EXCEPTION:

The McKinney Anchor Hinge mounts at the very top of the door. On doors over 7'6" high, four hinges are required.

Table 1 Reference NFPA-80 Table 2-8.1.1 1995 Builders Hardware

Mortise and Surface Hinges, Pivots or Spring Hinges for Swinging Doors. Doors up to 60" (1.52 m) in height shall be provided with two hinges and an additional hinge for each additional 30" (0.76 m) of door height or fraction thereof. The distance between hinges shall be permitted to exceed 30" (0.76 m). Where spring hinges are used, at least two shall be provided.

| Door Rating, Hr. | Maximum Door Size | | | Minimum Hinge Size | | Type Hinge |
|---|-------------------|----------------|-----------------|--------------------|-----|---|
| | Width ft. (m) | Height ft. (m) | Height in. (mm) | Thickness in. (mm) | | |
| For 1 3/4" (44.5mm) or Thicker Doors | | | | | | |
| 3 | 1 1/2 | 1 | 3/4 | 1/2 | 1/3 | 4 (1.22) 10 (3.05) 4 1/2 (114.3) 0.180 (4.57) Steel, Mortise or Surface |
| 3 | 1 1/2 | 1 | 3/4 | 1/2 | 1/3 | 4 (1.22) 8 (2.44) 4 1/2 (114.3) 0.134 (3.40) Steel, Mortise or Surface |
| | 1 1/2 | 3/4 | | 1/2 | 1/3 | 3'2" (0.96) 8 (2.44) 6 (152.4) 0.225 (5.72) Steel-Olive Knuckle or Paumelle |
| 3 | 1 1/2 | 3/4 | | 1/2 | 1/3 | 4 (1.22) 10 (3.05) 4 (101.6) 0.225 (5.72) Steel Pivots (including top, bottom and intermediate) |
| | 1 1/2 | 1 | 3/4 | 1/2 | 1/3 | 3 (0.91) 5 (1.52) 4 (101.6) 0.130 (3.30) Steel Mortise or Surface |
| | 1 1/2 | 1 | 3/4 | 1/2 | 1/3 | 2 (0.61) 3 (0.91) 3 (76.2) 0.092 (2.34) Steel, Mortise or Surface |
| 3 | 1 1/2 | 1 | 3/4 | 1/2 | 1/3 | 3 (0.91) 7 (2.13) 4 1/2 (114.3) 0.134 (3.40) Steel, Mortise or Surface (labeled self closing spring type) |
| 3 | 1 1/2 | 1 | 3/4 | 1/2 | 1/3 | 3 (0.91) 7 (2.13) 4 (101.6) 0.105 (2.67) Steel, Mortise or Surface (labeled self closing spring type) |
| For 1 3/8" (34.93mm) Doors | | | | | | |
| 3 | 1 1/2 | | 3/4 | 1/2 | 1/3 | 3 (0.91) 7 (2.13) 3 1/2 (88.9) 0.123 (3.12) Steel, Mortise or Surface |
| 3 | 1 1/2 | 1 | 3/4 | 1/2 | 1/3 | 2'8" (0.81) 7 (2.13) 3 1/2 (88.9) 0.105 (2.67) Steel, Mortise (spring closing) |

Notes:

(1) All hinges or pivots, except spring hinges, shall be of the ball-bearing type. Hinges or pivots employing other antifriction bearing surfaces are permitted if they meet the test requirements of ANSI A156.1, *Standard for Butts and Hinges*. Spring hinges shall be labeled.

(2) 4 1/2" (114mm) high, 0.180" (4.57mm) thick hinges shall be permitted for use on wide and heavy doors or doors that are subjected to heavy use or unusual stress.

(3) Some manufacturers can provide fire doors with hinges of lighter weight that are not of the ball bearing type where they are part of a listed assembly and meet the test requirements of ANSI

A156.1, *Standard for Butts and Hinges*, and have been tested to a minimum of 350,000 cycles.

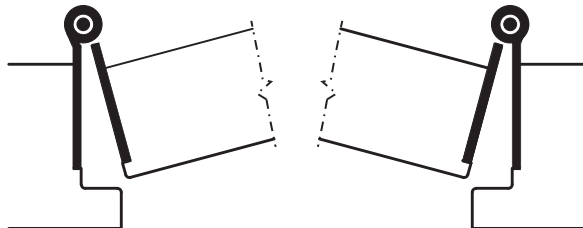
(4) Pivot sets made up of components that are smaller and/or of a lighter gauge than shown in Table 2-8.1.1 shall be permitted to be used, provided they meet the requirements of ANSI A156.4, *Door Controls (Closers)* and are in accordance with the manufacturers' labeled service procedures.

Reprinted with permission from NEPA 80, Fire Doors and Fire Windows. Copyright ©1995, National Fire Protection Association, Quincy, MA 02269. This reprinted material is not the complete and official position of the National Fire Protection Association on the referenced subject which is represented only by the standard in its entirety.

Hand of Doors

All doors are handed - right or left. The following illustrations indicate clearly this "handing" as it is understood within the hardware industry.

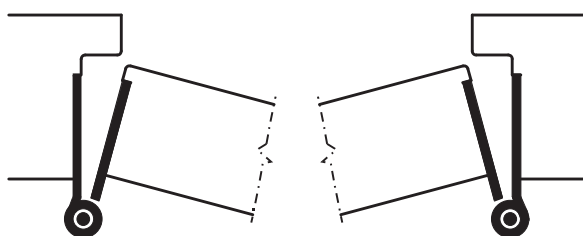
REGULAR DOORS OPENING IN



OUTSIDE
Left Hand Door takes left hand hinges

OUTSIDE
Right Hand Door takes right hand hinges

REVERSE DOORS OPENING OUT

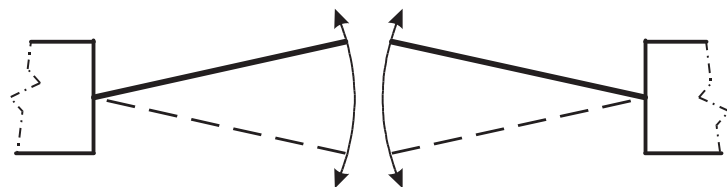


OUTSIDE
Left Hand Reverse Door takes right hand hinges

OUTSIDE
Right Hand Reverse Door takes left hand hinges

DOUBLE ACTING

Right Side of Hinge Left Side of Hinge



Left Side of Hinge
Left Hand Door

Right Side of Hinge
Right Hand Door

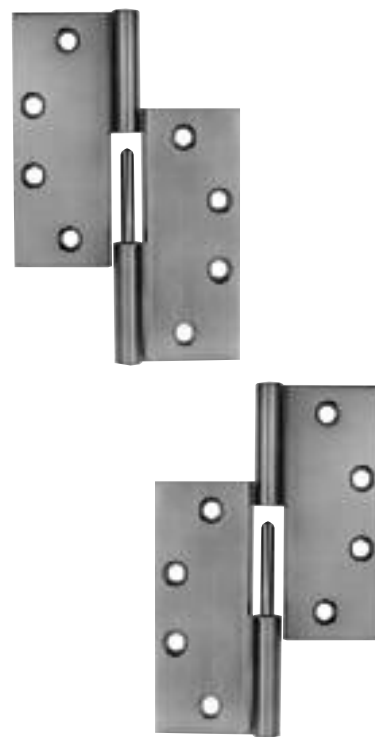
(Hand of door is determined from the outside)

When standing on outside of door and hinges are on the right, it is right hand.
When hinges are on the left, it is left hand.

A double acting door opens from you and toward you, therefore it is not called reverse like a single acting door.

Hand of Hinges

McKINNEY Anchor Hinges are handed right or left as are McKINNEY Moderne. Full surface, half surface and half mortise hinges with set screw (NRP) in the barrel are manufactured as reversibles (with no hole in plug). Continuous hinges are handed when cut to size, or when ordered with electrical modifications.



A simple method of determining the hand of all loose joint hinges is to open the hinge full with the countersunk screw holes in view. If the hinge can be held by the right hand leaf and it does not fall apart, it is a right hand (RH) hinge. If the hinge must be held by the left hand leaf to keep it from falling apart, it is a left hand (LH) hinge.

The hand of hinges may be specified by suffixing the symbols RH or LH to the catalog number.

Swaging is the slight offset in the hinge leaves which permits them to close to a parallel position as the door closes.

Full Mortise

All hinges for full mortise applications are swaged. Normal swaging on standard and heavy gauge hinges provides a clearance of $\frac{1}{16}$ " when the leaves are parallel. Full mortise wide throw hinges have a clearance of $\frac{3}{32}$ ".



Full Surface

Hinges for full surface applications are not swaged. Blank hinges are for full surface welded application and are always furnished "flat back" unless specified otherwise when ordered.



Beveled Door

Hinges for beveled door applications have one leaf swaged at an angle of $3\frac{1}{2}^\circ$ ($\frac{1}{8}$ " in 2") to maintain proper door and frame clearance when doors are beveled on the hinge side. Specify handing on these hinges.



One Leaf Swaged

When only one leaf is swaged, the non-swaged leaf is approximately $\frac{1}{16}$ " shorter as a standard. For all hollow metal door and frame applications, both leaves must be the same width. On your order, specify "Leaves must be equal".



One Leaf Swaged Flat

When only one leaf is swaged flat, the non-swaged leaf is approximately $\frac{3}{32}$ " shorter as a standard. For all hollow metal door and frame applications, both leaves must be the same width. On your order, specify "Leaves must be equal".



McKINNEY Hinge Catalog Screws and Fasteners

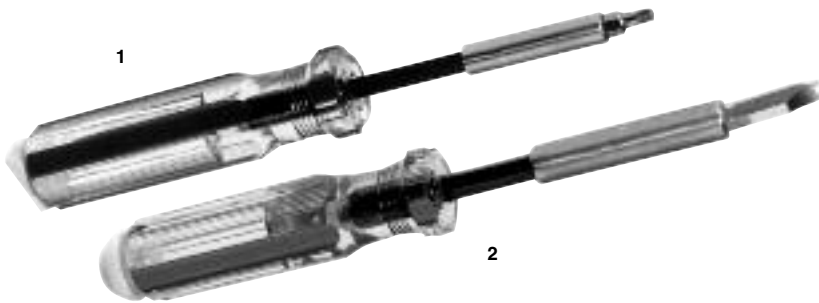
McKINNEY hinges are manufactured with templated screw hole locations and tolerances which conform to the American National Standards Institute (ANSI/BHMA A-156.7). McKINNEY publishes a complete listing of templates which list the overall hinge size, material gauge and exact screw hole location. The most current templates are found on our website @ www.mckinneyhinge.com. These templates should be consulted prior to any door or frame preparation.

TEMPLATED SCREW HOLES



McKINNEY offers a wide variety of screws and fasteners.

TORX DRIVER & SPANNER DRIVER



Shown:

1. Torx Bit and Driver
2. Spanner Bit and Driver
3. Phillips Head Machine Screw
4. Torx Head Machine Screw
5. Spanner Head Machine Screw
6. Torx Head Wood Screw
7. Spanner Head Wood Screw
8. Phillips Head Wood Screw
9. Oval Phillips Head Machine Screw with Grommet Nut

MACHINE AND WOOD SCREWS



Full Mortise Hinges

| Size of Hinge | Machine Screws | Wood Screws |
|---------------|----------------|-------------|
| 3½ x 3½ * | ½ x 10-24 | 1 x 10 |
| 3½ x 5 | ½ x 10-24 | 1 x 10 |
| 4 x 4 * | ½ x 12-24 | 1¼ x 12 |
| 4½ x 4 | ½ x 12-24 | 1¼ x 12 |
| 4½ x 4½ | ½ x 12-24 | 1¼ x 12 |
| 4 x 6 | ½ x 12-24 | 1¼ x 12 |
| 4 x 7 | ½ x 12-24 | 1¼ x 12 |
| 4½ x 6 | ½ x 12-24 | 1¼ x 12 |
| 4½ x 7 | ½ x 12-24 | 1¼ x 12 |
| 4½ x 8 | ½ x 12-24 | 1¼ x 12 |
| 5 x 4 | ½ x 12-24 | 1¼ x 12 |
| 5 x 4½ | ½ x 12-24 | 1¼ x 12 |
| 5 x 5 | ½ x 12-24 | 1¼ x 12 |
| 5 x 7 | ½ x 12-24 | 1¼ x 12 |
| 5 x 8 | ½ x 12-24 | 1¼ x 12 |
| 6 x 5 | ½ x ¼-20 | 1¼ x 14 |
| 6 x 6 | ½ x ¼-20 | 1¼ x 14 |
| 8 x 6 | ½ x ¼-20 | 1¼ x 14 |
| 8 x 8 | ½ x ¼-20 | 1¼ x 14 |

Half Mortise Hinges

| Size of Hinge | Machine Screws |
|---------------|----------------|
| 4½ | ½ x 12-24 |
| 5 | ½ x 12-24 |
| 6 | ½ x ¼-20 |

Swing Clear Hinges

| Size of Hinge | Machine Screws | Wood Screws |
|---------------|----------------|-------------|
| 4½ | ½ x 12-24 | 1-¼ x 12 |
| 5 | ½ x 12-24 | 1-½ x 12 |

Full Surface Hinges

| Size of Hinge | Machine Screws | Thru Bolts & Grommet Nut |
|---------------|----------------|--------------------------|
| 4½ | ½ x 12-24 | 2 x ¼-20 |
| 5 | ½ x 12-24 | 2 x ¼-20 |
| 6 | ½ x ¼-20 | 2 x ¼-20 |

Half Surface Hinges

| Size of Hinge | Machine Screws | Thru Bolts & Grommet Nut |
|---------------|----------------|--------------------------|
| 4½ | ½ x 12-24 | 2 x ¼-20 |
| 5 | ½ x 12-24 | 2 x ¼-20 |
| 6 | ½ x ¼-20 | 2 x ¼-20 |

*1400-1414-1458 Residential Grade

| Size of Hinge | Wood Screws |
|---------------|-------------|
| 3½ x 3½ | ¾ x 9 |
| 4 x 4 | 1 x 9 |

Packing:

All contract grade size 2-Knuckle, 3-Knuckle and 5-Knuckle hinges are packed all machine (8 each) x all wood (8 each) screws.

McKINNEY and Government Finish Symbols

| U.S. Finish | Description | McKINNEY |
|-------------|---|-----------|
| US P | Primed for Painting | P |
| US 3 | Bright Brass | 3 |
| US4 | Dull Brass | 4 |
| US5 | Dull Brass, Oxidized | 5* |
| US7 | Brass, Nickel Oxidized, Bright Relieved | 7* |
| US9 | Bright Bronze | 9* |
| US10 | Dull Bronze | 10 |
| US10A | Antiqued Bronze, Oiled and Lacquered | 10A |
| US10B | Antiqued Bronze, Oiled | 10B |
| US11 | Dull Bronze, Oxidized | 11* |
| US14 | Bright Nickel Plated | 14 |
| US15 | Dull Nickel Plated | 15 |
| US15A | Nickel Oxidized Relieved | 15A* |
| US17A | Half Polished Iron, Smooth | 17A* |
| US 20 | Statuary Bronze, Light | 20* |
| US 20A | Statuary Bronze, Dark | 20A* |
| US 26 | Bright Chromium | 26 |
| US 26D | Dull Chromium | 26D |
| US 32 | Polished Stainless Steel | 32 |
| US 32D | Dull Stainless Steel | 32D |
| | Antique Bronze, Over Stainless | 32D x 10B |

* Consult the factory for availability of these finishes.

Every effort is made by McKINNEY to furnish finishes which do comply with the U.S. Standard. However, we cannot guarantee that our finish will match other manufacturers' finish. Where a special finish or a matched finish is required, a sample must be submitted with the order.



As part of their promise to provide innovative solutions to their customers, certain ASSA ABLOY Group brands offer the MicroShield® technology, a silver-based antimicrobial coating designed to inhibit the growth of bacteria.

MicroShield® is a registered trademark of Yale Security Inc., an ASSA ABLOY Group company.

- Suppresses microbes
- Long lasting
- Non-toxic
- Available on McKINNEY stainless hinges
- Lasts for the life of the hardware
- Specify 32DMS

McKINNEY Powder Coat Finishes

| | |
|-------------------------------------|------|
| Aluminum | AP |
| Beige | PB |
| Gold | PG |
| Grey Tone | GT |
| White | PW |
| Bright Brass with Clear Powder Coat | 3-C |
| Dull Brass with Clear Powder Coat | 4-C |
| Dull Nickel with Clear Powder Coat | 15-C |
| Co-Laq - Dark | D-3 |
| Co-Laq - Black | D-4 |
| Custom Polymer Coating | * |
| Prime Coat | P |

McKINNEY's electrostatically applied polyester powder finishes have been tested to exceed all recommended salt-spray testing requirements. These finishes have also been proven to be by far the best finish for steel hinges in areas where hardware is susceptible to corrosion such as caused by high humidity, moisture or coastal environments.

McKINNEY and B.H.M.A. Finish Symbols

| B.H.M.A. Code | Finish Description | Base Material | McKINNEY Equivalent |
|---------------|---|----------------------------|---------------------|
| 600 | Primed for Painting | Steel | USP |
| 602 | Zinc Plated, Commercial | Steel | US2C |
| 603 | Zinc Plated, Governmental | Steel | US2G |
| 605 | Bright Brass | Brass | US3 |
| 606 | Dull Brass | Brass | US4 |
| 609 | Dull Brass, Oxidized | Brass | US5* |
| 610 | Brass, Nickel Oxidized, Bright Relieved | Brass | US7* |
| 611 | Bright Bronze | Bronze | US9 |
| 612 | Dull Bronze | Bronze | US10 |
| 613 | Antiqued Bronze, Oiled | Bronze | US10B |
| 616 | Dull Bronze, Oxidized | Bronze | US11* |
| 618 | Bright Nickel Plated | Brass, Bronze | US14 |
| 619 | Dull Nickel Plated | Brass, Bronze | US15 |
| 620 | Nickel Oxidized Relieved | Brass, Bronze | US15A* |
| 621 | Half Polished Iron, Smooth | Brass, Bronze | US17A* |
| 623 | Statuary Bronze, Light | Bronze | US20* |
| 624 | Statuary Bronze, Dark | Bronze | US20A* |
| 625 | Bright Chromium | Brass, Bronze | US26 |
| 626 | Dull Chromium | Brass, Bronze | US26D |
| 629 | Polished Stainless Steel | Stainless Steel 300 Series | US32 |
| 630 | Dull Stainless Steel | Stainless Steel 300 Series | US32D |
| 632 | Bright Brass | Steel | US3 |
| 633 | Dull Brass | Steel | US4 |
| 636 | Dull Brass, Oxidized | Steel | US7 |
| 637 | Bright Bronze | Steel | US9 |
| 639 | Dull Bronze | Steel | US10 |
| 640 | Antique Bronze, Oiled | Steel | US10B |
| 643 | Dull Bronze, Oxidized | Steel | US11 |
| 645 | Bright Nickel Plated | Steel | US14 |
| 646 | Dull Nickel Plated | Steel | US15 |
| 647 | Nickel Oxidized Relieved | Steel | US15A |
| 648 | Half Polished Iron, Smooth | Steel | US17A |
| 649 | Statuary Bronze, Light | Steel | US20 |
| 650 | Statuary Bronze, Dark | Steel | US20A |
| 651 | Bright Chromium | Steel | US26 |
| 652 | Dull Chromium | Steel | US26D |

* Consult the factory for availability of these finishes.

McKINNEY hinge finishes meet or exceed the American National Standards for materials and finishes (ANSI/BHMA - A156.18 and BHMA 1301).

Ferrous Base

Steel base hinges which are polished and plated are dipped in lacquer, baked and dried. US4 Finish over steel, a purely decorative finish which in the past was susceptible to pitting is now furnished with a nickel base for added durability, and followed by 20 minutes of brass and then lacquered. This new process allows McKinney to have one of the best US4 finish in the industry. However, brass finishes over steel should not be cleaned with any type of paint remover or abrasive method which will remove the lacquer.

Our US10B is a true oil rubbed finish. However, due to excessive handling on installation of electric hinges and sample cards, we use a 10BL with a very light lacquer to protect the finish. 10B over stainless is a beautiful finish available thru McKinney.

Steel hinges which are supplied in prime coat are finished with Powder Coat Prime finish which is ready for painting in the field, or durable enough to let stand on its own.

Non-Ferrous Base (should be used for exterior installations).

Brass or Bronze hinges are polished and plated.

Stainless Steel hinges are passivated to remove any impurities in the stainless material, then polished to a satin finish (US32D) or can be polished to a bright finish (US32).

McKINNEY HingeCatalog

Full Mortise Bearing Hinges

Five Knuckle Heavy Weight StormPro® Series

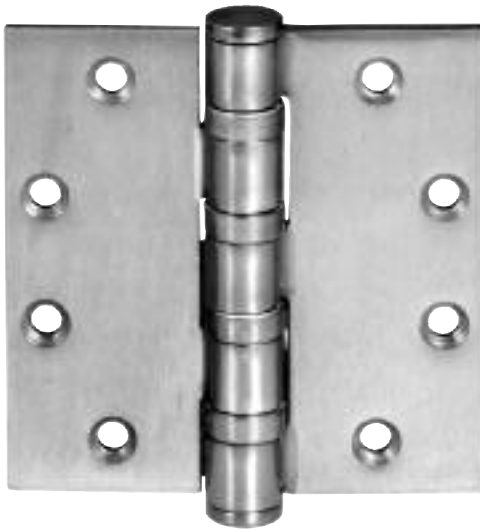
McKinney®
ASSA ABLOY

SP3386

Stainless steel base material polished.

SP3786

Steel material polished and plated or furnished in powder coat.



StormPro®

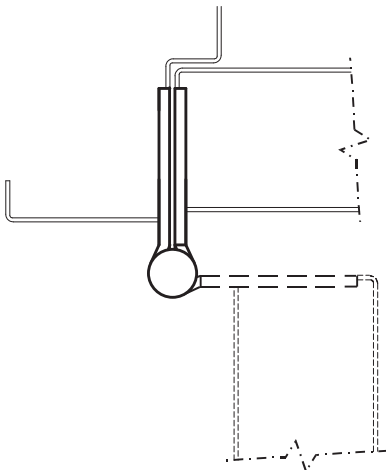
Available Options:

- NRP (non-removable pin)

Features:

- Built to withstand extreme wind speeds and flying debris associated with severe weather conditions
- Packed with stainless machine screws
- Fire rated thru 3 hours
- Part of the integrated unit when used with CECO StormPro® 361, CURRIES StormPro® 331 and BARON F-5 doors and frames, along with other StormPro® hardware by ASSA ABLOY Companies

APPLICATION



Available Sizes

| Inches | MM | Gauge |
|---------|---------------|-------|
| 4½ x 4½ | 114.3 x 114.3 | .180 |
| 5 x 4½ | 127 x 114.3 | .180 |

Full Mortise Hinge Fasteners

| Hinge Size | Machine |
|------------|-----------|
| 4½ x 4½ | ½ x 12-24 |
| 5 x 4½ | ½ x 12-24 |

Packing:

StormPro® 5K heavy weight full mortise hinges are packed with stainless screws, all machine screws.

ANSI Cross Reference:

A5111 Stainless
A8111 Steel

Required component of the integrated StormPro unit, including the frame and door, along with other StormPro hardware.

McKINNEY Hinge Catalog

Full Mortise Plain Bearing Hinges

Two Knuckle Standard Weight Series

McKinney
ASSA ABLOY

T2731

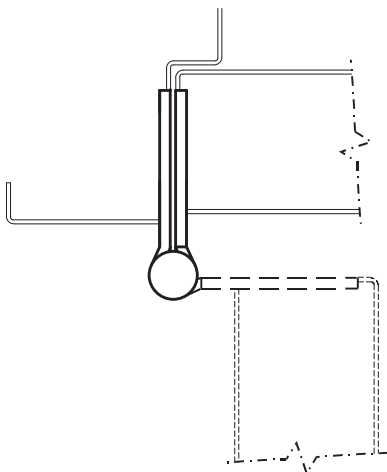
Steel base polished and plated or furnished in powder coat finish.



Available Options:

- NRD (non-removable door - one doweled hinge furnished per set)
- RC (round corner - 1/4" radius furnished unless specified otherwise)
- SSF (safety stud feature)
- Beveled Edge (where doors are on hinge side specify T4731)

APPLICATION



Available Sizes

| Inches | MM | Gauge |
|---------|---------------|-------|
| 3½ x 3½ | 88.9 x 88.9 | .123 |
| 4 x 4 | 101.6 x 101.6 | .130 |
| 4½ x 4 | 114.3 x 101.6 | .134 |
| 4½ x 4½ | 114.3 x 114.3 | .134 |

Full Mortise Hinge Fasteners

| Hinge Size | Machine | Wood |
|------------|-----------|---------|
| 3½ x 3½ | ½ x 10-24 | 1¼ x 12 |
| 4 x 4 | ½ x 10-24 | 1¼ x 12 |
| 4½ x 4 | ½ x 10-24 | 1¼ x 12 |
| 4½ x 4½ | ½ x 10-24 | 1¼ x 12 |

Packing:

All 2K standard weight full mortise plain bearing steel hinges are packed all machine x all wood screws. For special screws consult price book on availability. Specify hand when ordering.

ANSI Cross Reference:

A8133 Steel

Not recommended for medium or high frequency doors, or doors with closing devices.

McKINNEY Hinge Catalog

Full Mortise Bearing Hinges

Two Knuckle Standard Weight Series

McKinney[®]

ASSA ABLOY

TA3331

Stainless steel or available in brass base material polished and plated or furnished in powder coat.

TA2731

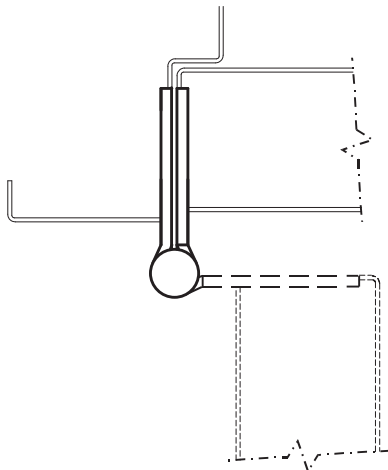
Steel base polished and plated or furnished in powder coat finish.

Available Options:

- NRD (non-removable door - one doweled hinge furnished per set)
- RC (round corner - 1/4" radius furnished unless specified otherwise)
- SSF (safety stud feature)
- CC-4 (concealed circuit - 4 wire)
- CC-6 (concealed circuit - 6 wire)*
- MM (magnetic monitoring)
- Beveled Edge (where doors are beveled on hinge side specify TA4331 or TA4731)



APPLICATION



Available Sizes

| Inches | MM | Gauge |
|----------|---------------|-------|
| 3½ x 3½* | 88.9 x 88.9 | .123 |
| 4 x 4 | 101.6 x 101.6 | .130 |
| 4½ x 4 | 114.3 x 101.6 | .134 |
| 4½ x 4½ | 114.3 x 114.3 | .134 |
| 5 x 4½ | 127 x 114.3 | .146 |
| 5 x 5 | 127 x 127 | .146 |

* Not available in Stainless

Packing:

All 2K standard weight full mortise bearing hinges are packed all machine x all wood screws. For special screws consult price book on availability. Specify hand when ordering.

Full Mortise Hinge Fasteners

| Hinge Size | Machine | Wood |
|------------|-----------|---------|
| 3½ x 3½ | ½ x 10-24 | 1 x 10 |
| 4 x 4 | ½ x 12-24 | 1¼ x 12 |
| 4½ x 4 | ½ x 12-24 | 1¼ x 12 |
| 4½ x 4½ | ½ x 12-24 | 1¼ x 12 |
| 5 x 4½ | ½ x 12-24 | 1¼ x 12 |
| 5 x 5 | ½ x 12-24 | 1¼ x 12 |

ANSI Cross Reference:

A2112 Brass, Bronze
A5112 Stainless
A8112 Steel

Recommended for standard weight, medium frequency doors, or doors with closing devices.

McKINNEY Hinge Catalog

Full Mortise Bearing Hinges

Two Knuckle Heavy Weight Series

McKinney
ASSA ABLOY

TA3350

Stainless steel base or available in brass or bronze base material polished and plated or powder coat.

TA3750

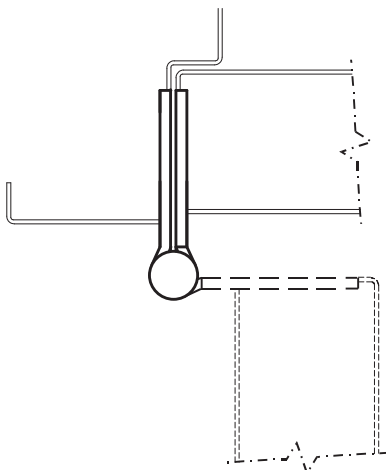
Steel base polished and plated or furnished powder coat finish.



Available Options:

- NRD (non-removable door - one doweled hinge furnished per set)
- RC (round corner - 1/4" radius furnished unless specified otherwise)
- SSF (safety stud feature)
- CC-4 (concealed circuit - 4 wire)
- CC-6 (concealed circuit - 6 wire)*
- MM (magnetic monitoring)
- Beveled Edge (where doors are beveled on hinge side specify TA5350 or TA5750)

APPLICATION



Available Sizes

| Inches | MM | Gauge |
|---------------|---------------|-------|
| 4 1/2 x 4 1/2 | 114.3 x 114.3 | .180 |
| 5 x 4 1/2 | 127 x 114.3 | .190 |
| 5 x 5 | 127 x 127 | .190 |

* Not available in Stainless

Full Mortise Hinge Fasteners

| Hinge Size | Machine | Wood |
|---------------|-------------|------------|
| 4 1/2 x 4 1/2 | 1/2 x 12-24 | 1 1/4 x 12 |
| 5 x 4 1/2 | 1/2 x 12-24 | 1 1/4 x 12 |
| 5 x 5 | 1/2 x 12-24 | 1 1/4 x 12 |

Packing:

All 2K heavy weight full mortise bearing hinges are packed all machine x all wood screws.

For special screws consult price book on availability. Specify hand when ordering.

ANSI Cross Reference:

A2111 Brass, Bronze
 A5111 Stainless
 A8111 Steel

Recommended for use on high frequency and/or heavy wood or metal doors in schools, hospitals or other public buildings where heavy traffic is experienced.

McKINNEY Hinge Catalog

Full Mortise Plain Bearing Hinges

Three Knuckle Standard Weight Series

McKinney®
ASSA ABLOY

T714

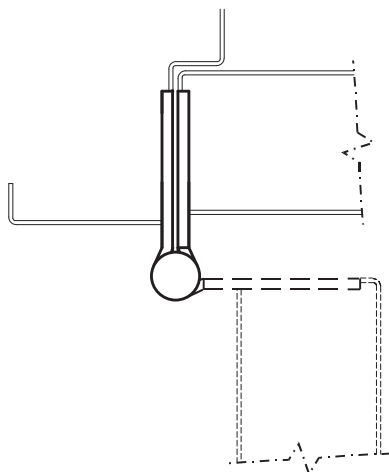
Steel base polished and plated or furnished in powder coat finish.



Available Options:

- NRP (non-removable pin)
- ET (exposed tip)
- RC (round corner - 1/4" radius furnished unless specified otherwise)
- SSF (safety stud feature)
- Beveled Edge (where doors are beveled on hinge side specify T5714)

APPLICATION



Available Sizes

| Inches | MM | Gauge |
|---------|---------------|-------|
| 3½ x 3½ | 88.9 x 88.9 | .123 |
| 4 x 4 | 101.6 x 101.6 | .130 |
| 4½ x 4 | 114.3 x 101.6 | .134 |
| 4½ x 4½ | 114.3 x 114.3 | .134 |
| 5 x 4½ | 127 x 114.3 | .146 |
| 5 x 5 | 127 x 127 | .146 |

Packing:

All 3K standard weight full mortise plain bearing hinges are packed all machine x all wood screws. For special screws consult price book on availability.

Full Mortise Hinge Fasteners

| Hinge Size | Machine | Wood |
|------------|-----------|---------|
| 3½ x 3½ | ½ x 10-24 | 1 x 10 |
| 4 x 4 | ½ x 12-24 | 1¼ x 12 |
| 4½ x 4 | ½ x 12-24 | 1¼ x 12 |
| 4½ x 4½ | ½ x 12-24 | 1¼ x 12 |
| 5 x 4½ | ½ x 12-24 | 1¼ x 12 |
| 5 x 5 | ½ x 12-24 | 1¼ x 12 |

ANSI Cross Reference:

A8133 Steel

Not recommended for medium or high frequency doors, or doors with closing devices.

McKINNEY Hinge Catalog

Full Mortise Bearing Hinges

Three Knuckle Standard Weight Series

McKinney®
ASSA ABLOY

TA314

Stainless steel or available in brass base material polished and plated or furnished in powder coat.

TA714

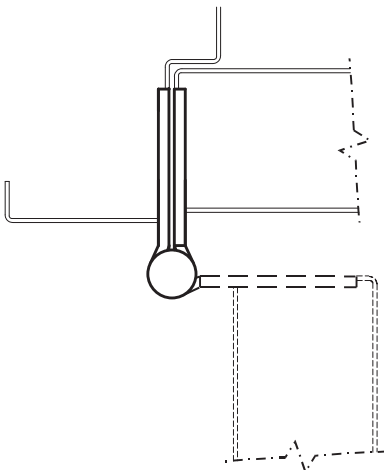
Steel base polished and plated or furnished in powder coat finish.



Available Options:

- NRP (non-removable pin)
- ET (exposed pin and plug)
- RC (round corner - 1/4" radius furnished unless specified otherwise)
- HT (hospital tip)
- SSF (safety stud feature)
- QC (ElectroLynx hinge) 2, 4, 6, 8, 10 or 12 wire available
- CC (concealed circuit) 4, 6 or 8 wire available
- MM (magnetic monitoring)
- Beveled Edge (where doors are beveled on hinge side specify TA5314 or TA5714)

APPLICATION



Available Sizes

| Inches | MM | Gauge |
|---------|---------------|-------|
| 3½ x 3½ | 88.9 x 88.9 | .123 |
| 4 x 4 | 101.6 x 101.6 | .130 |
| 4½ x 4 | 114.3 x 101.6 | .134 |
| 4½ x 4½ | 114.3 x 114.3 | .134 |
| 5 x 4½ | 127 x 114.3 | .146 |
| 5 x 5 | 127 x 127 | .146 |

Packing:

All 3K standard weight full mortise hinges are packed with all machine and all wood screws. For special screws consult price book on availability.

ANSI Cross Reference:

A2112 Brass, Bronze
A5112 Stainless
A8112 Steel

Recommended for standard weight, medium frequency doors, or doors with closing devices.

McKINNEY Hinge Catalog

Full Mortise Bearing Hinges

Three Knuckle Heavy Weight Series

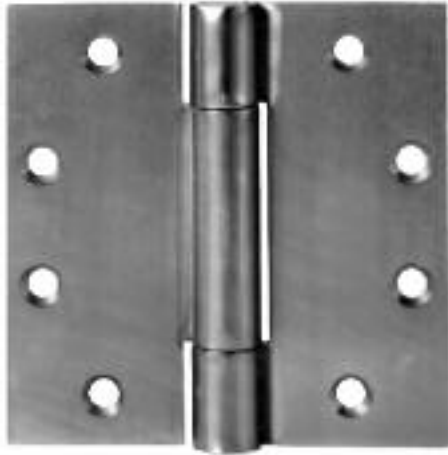
McKinney®
ASSA ABLOY

TA386

Stainless steel or available in brass base material polished and plated or furnished in powder coat.

TA786

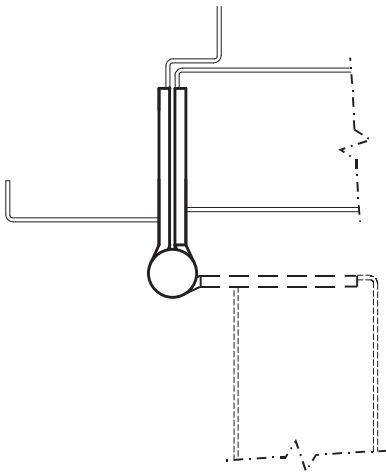
Steel base material polished and plated or furnished in powder coat.



Available Options:

- NRP (non-removable pin)
- ET (exposed pin and plug)
- RC (round corner - 1/4" radius furnished unless specified otherwise)
- HT (hospital tip)
- SSF (safety stud feature)
- QC (ElectroLynx hinge) 2, 4, 6, 8, 10 or 12 wire available
- CC (concealed circuit) 4, 6 or 8 wire available
- MM (magnetic monitoring)
- Beveled Edge (where doors are beveled on hinge side specify TA5386 or TA5786)
- 8x6 furnished in steel only (hole pattern differs from photo shown)

APPLICATION



Available Sizes

| Inches | MM | Gauge |
|---------|---------------|-------|
| 4½ x 4½ | 114.3 x 114.3 | .180 |
| 5 x 4½ | 127 x 114.3 | .190 |
| 5 x 5 | 127 x 127 | .190 |
| 6 x 5 | 152.4 x 127 | .203 |
| 6 x 6 | 152.4 x 152.4 | .203 |
| 8 x 6* | 203.2 x 152.4 | .225 |

* Consult templates 046A and 046B for appropriate hole pattern.
Maximum door size for 8 x 6 is 4'0 x 8'0 600 lbs.

Packing:

All 3K heavy weight full mortise hinges are packed with all machine and all wood screws. For special screws consult price book on availability.

ANSI Cross Reference:

A2111 Brass, Bronze
A5111 Stainless
A8111 Steel

Full Mortise Hinge Fasteners

| Hinge Size | Machine | Wood |
|------------|-----------|---------|
| 4½ x 4½ | ½ x 12-24 | 1¼ x 12 |
| 5 x 4½ | ½ x 12-24 | 1¼ x 12 |
| 5 x 5 | ½ x 12-24 | 1¼ x 12 |
| 6 x 5 | ½ x ¼-20 | 1½ x 14 |
| 6 x 6 | ½ x ¼-20 | 1½ x 14 |
| 8 x 6 | ½ x ¼-20 | 1½ x 14 |

Recommended for use on high frequency and/or heavy wood or metal doors in schools, hospitals or other public buildings where heavy traffic is experienced.

McKINNEY Hinge Catalog

Full Mortise Institutional Hinges

Three Knuckle Heavy Weight Series

McKinney®
ASSA ABLOY

IHTB386

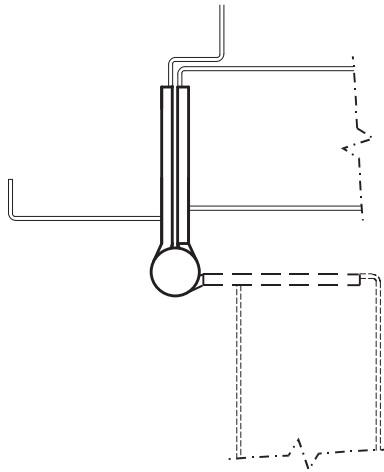
Stainless steel base material polished and passivated or sand blasted and furnished in prime coat. Hospital tipped ends, double stainless steel dowel construction, concealed bearing assemblies.



IHTB786

Steel base material polished and plated or furnished in powder coat. Hospital tipped ends, double stainless steel dowel construction, concealed bearing assemblies.

APPLICATION



Available Options:

- PSF (prison safety feature) (shown below)
- CC-4 (concealed circuit - 4 wire)
- MM (magnetic monitoring)*
- Beveled Edge (where doors are beveled on hinge side specify change to IHTB5386, IHTB5786)

* Not available with PSF option

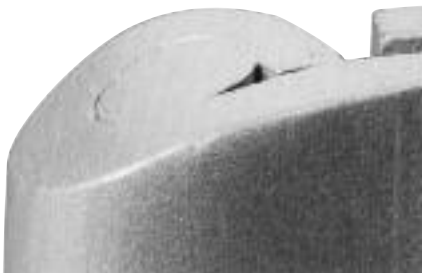
Available Sizes

| Inches | MM | Gauge |
|---------|---------------|-------|
| 4½ x 4½ | 114.3 x 114.3 | .180 |
| 5 x 4½* | 127 x 114.3 | .190 |

Institutional Hinge Fasteners Torx Pin Head Machine 1/2 x 12 - 24

Wood Screws supplied by request only 1-1/4 x 12 Torx Pin Head

HOSPITAL TIP (HT)



PRISON SAFETY FEATURE (PSF) (OPTIONAL)



Packing:

All 3K heavy weight full mortise institutional hinges are packed with all Torx Head Security machine screws. For special screws consult price book on availability.

ANSI Cross Reference:

A5111 Stainless
A8111 Steel

Recommended for use on high frequency and/or heavy wood or metal doors in schools, hospitals or other public buildings where security requirements exist.

McKINNEY Hinge Catalog

Swing Clear Full Mortise Bearing Hinges

Three Knuckle Heavy Weight Series (Reversible)

McKinney®
ASSA ABLOY

TA795

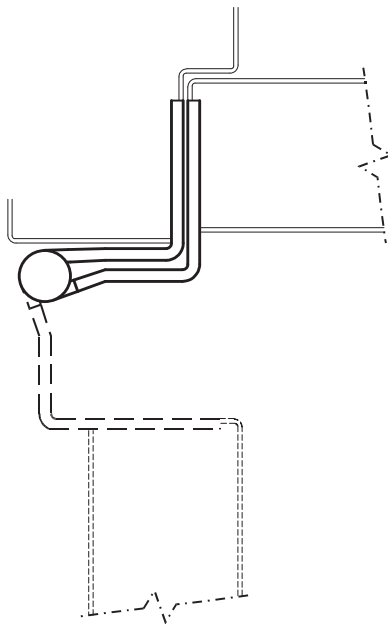
Steel base material polished and plated or furnished in powder coat.



Available Options:

- RC (round corner - 1/4" radius furnished unless specified otherwise)
- HT (hospital tip)
- SSF (safety stud feature)
- MM (magnetic monitoring)
- Beveled Edge (where doors are beveled on hinge side specify TA5795)

APPLICATION



Available Sizes

| Inches | MM | Gauge |
|--------|-------|-------|
| 4½ | 114.3 | .180 |
| 5 | 127 | .190 |

Swing Clear Full Mortise Hinge Fasteners

| Hinge Size | Machine | Wood |
|------------|-----------|---------|
| 4½ | ½ x 12-24 | 1¼ x 12 |
| 5 | ½ x 12-24 | 1¼ x 12 |

Packing:

All 3K heavy weight full mortise hinges are packed with all machine and all wood screws. For special screws consult price book on availability. The pin is held in place by an NRP set screw which allows the hinge to be reversible.

ANSI Cross Reference:

A8121 Steel

Recommended for use on high frequency and/or heavy wood or metal doors in schools, hospitals or other public buildings where heavy traffic is experienced. Hinge allows for maximum clearance for passage of beds, tables or other equipment through doorway. Pressed steel jambs require no special reinforcing.

McKINNEY Hinge Catalog

Full Mortise Plain Bearing Hinges

Five Knuckle Standard Weight Series

McKinney
ASSA ABLOY

T2314

Stainless steel base or available in brass base material polished and plated or furnished in powder coat.

T2714

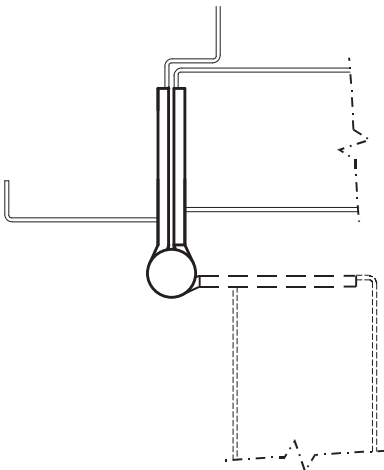
Steel base polished and plated or furnished in powder coat finish.



Available Options:

- NRP (non-removable pin)
- RC (round corner - 1/4" radius furnished unless specified otherwise)
- HT (hospital tip)
- BT (ball tip)
- ST (steeple tip)
- SSF (safety stud feature)
- Beveled Edge (where doors are beveled on hinge side specify T4314 or T4714)

APPLICATION



Available Sizes

| Inches | MM | Gauge |
|---------|---------------|-------|
| 3½ x 3½ | 88.9 x 88.9 | .123 |
| 4 x 4 | 101.6 x 101.6 | .130 |
| 4½ x 4 | 114.3 x 101.6 | .134 |
| 4½ x 4½ | 114.3 x 114.3 | .134 |
| 5 x 4½ | 127 x 114.3 | .146 |
| 5 x 5 | 127 x 127 | .146 |
| 6 x 6* | 152.4 x 152.4 | .160 |

*Not available in Stainless

Full Mortise Hinge Fasteners

| Hinge Size | Machine | Wood |
|------------|-----------|---------|
| 3½ x 3½ | ½ x 10-24 | 1 x 10 |
| 4 x 4 | ½ x 12-24 | 1¼ x 12 |
| 4½ x 4 | ½ x 12-24 | 1¼ x 12 |
| 4½ x 4½ | ½ x 12-24 | 1¼ x 12 |
| 5 x 4½ | ½ x 12-24 | 1¼ x 12 |
| 5 x 5 | ½ x 12-24 | 1¼ x 12 |
| 6 x 6 | ½ x ¼-20 | 1½ x 14 |

Packing:

All 5K standard weight full mortise hinges are packed with all machine and all wood screws. For special screws consult price book on availability.

ANSI Cross Reference:

A2133 Brass, Bronze
A5133 Stainless
A8133 Steel

Not recommended for medium or high frequency doors, or doors with closing devices.

McKINNEY Hinge Catalog

Full Mortise Bearing Hinges

Five Knuckle Standard Weight Series

McKinney
ASSA ABLOY

TA2314

Stainless steel base or available in brass base material polished and plated or furnished in powder coat.

TA2714

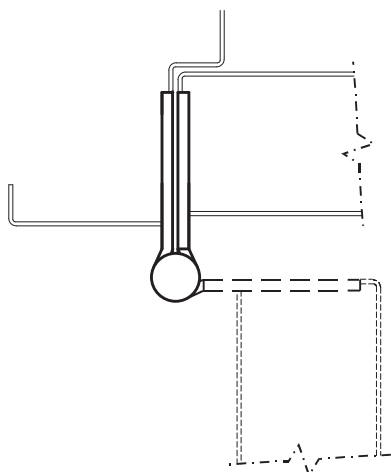
Steel base polished and plated or furnished in powder coat finish.



Available Options:

- NRP (non-removable pin)
- TB (ball bearing)
- TCA (concealed bearing)
- RC (round corner - 1/4" radius furnished unless specified otherwise)
- HT (hospital tip)
- BT (ball tip)
- ST (steeple tip)
- SSF (safety stud feature)
- QC (ElectroLynx hinge) 2, 4, 6, 8, 10 or 12 wire available
- CC (concealed circuit) 4, 6 or 8 wire available*
- MM (magnetic monitoring)
- Slip In (Type 1 or Type 2)
- Beveled Edge (where doors are beveled on hinge side specify TA4314 or TA4714)

APPLICATION



Available Sizes

| Inches | MM | Gauge |
|---------|---------------|-------|
| 3½ x 3½ | 88.9 x 88.9 | .123 |
| 4 x 4 | 101.6 x 101.6 | .130 |
| 4½ x 4 | 114.3 x 101.6 | .134 |
| 4½ x 4½ | 114.3 x 114.3 | .134 |
| 5 x 4½ | 127 x 114.3 | .146 |
| 5 x 5 | 127 x 127 | .146 |
| 6 x 6* | 152.4 x 152.4 | .160 |

*Not available in Stainless

Packing:

All 5K standard weight full mortise hinges are packed with all machine and all wood screws. For special screws consult price book on availability.

Full Mortise Hinge Fasteners

| Hinge Size | Machine | Wood |
|------------|-----------|---------|
| 3½ x 3½ | ½ x 10-24 | 1 x 10 |
| 4 x 4 | ½ x 12-24 | 1¼ x 12 |
| 4½ x 4 | ½ x 12-24 | 1¼ x 12 |
| 4½ x 4½ | ½ x 12-24 | 1¼ x 12 |
| 5 x 4½ | ½ x 12-24 | 1¼ x 12 |
| 5 x 5 | ½ x 12-24 | 1¼ x 12 |
| 6 x 6 | ½ x ¼-20 | 1½ x 14 |

ANSI Cross Reference:

A2112 Brass, Bronze
 A5112 Stainless
 A8112 Steel

Recommended for standard weight, medium frequency doors, or doors with closing devices.

McKINNEY Hinge Catalog

Wide Throw Full Mortise Bearing Hinges

Five Knuckle Standard Weight Series

McKinney®
ASSA ABLOY

TA2398

Stainless steel base material polished, plated or furnished in powder coat.

TA2798

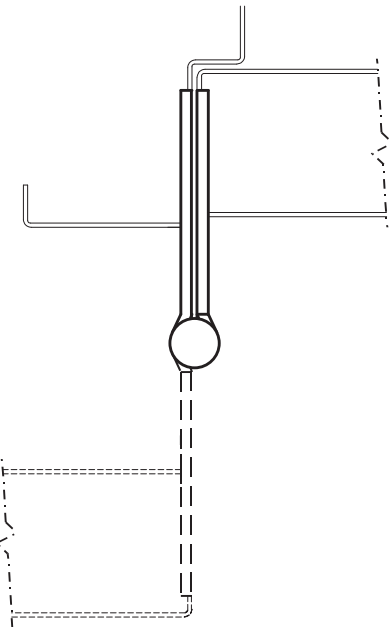
Steel base material polished and plated or furnished in powder coat.



Available Options:

- NRP (non-removable pin)
 - RC (round corner - 1/4" radius furnished unless specified otherwise)
 - HT (hospital tip)
 - BT (ball tip)
 - ST (steeple tip)
 - SSF (safety stud feature)
 - QC (quick connect hinge) 2,4,6,8,10, or 12 wire available*
 - CC-4 (concealed circuit - 4 wire)* available on hinges up to 6 inches wide
 - MM (magnetic monitoring)
 - Beveled Edge (where doors are beveled on hinge side specify TA4398 or TA4798)
- *QC and CC options available on hinges up to 6" wide

APPLICATION



Available Sizes

| Inches | MM | Gauge |
|--------|---------------|-------|
| 4 x 7 | 101.6 x 177.8 | .130 |
| 4½ x 6 | 114.3 x 152.4 | .134 |
| 4½ x 7 | 114.3 x 177.8 | .134 |
| 4½ x 8 | 114.3 x 203.2 | .134 |
| 5 x 7 | 127 x 177.8 | .146 |
| 5 x 8 | 127 x 203.2 | .146 |

Full Mortise Hinge Fasteners

| Hinge Size | Machine | Wood |
|------------|-----------|---------|
| 4 x 7 | ½ x 12-24 | 1¼ x 12 |
| 4½ x 6 | ½ x 12-24 | 1¼ x 12 |
| 4½ x 7 | ½ x 12-24 | 1¼ x 12 |
| 4½ x 8 | ½ x 12-24 | 1¼ x 12 |
| 5 x 7 | ½ x 12-24 | 1¼ x 12 |
| 5 x 8 | ½ x 12-24 | 1¼ x 12 |

Packing:

All 5K standard weight full mortise wide throw hinges are packed with all machine and all wood screws. For special screws consult price book on availability.

ANSI Cross Reference:

A5112 Stainless
A8112 Steel

Recommended for use on high frequency and/or heavy wood or metal doors in schools, hospitals or other public buildings where heavy traffic is experienced and it is necessary to open the door around a large reveal.

McKINNEY Hinge Catalog

Full Mortise Bearing Hinges

Five Knuckle Heavy Weight Series

McKinney®
ASSA ABLOY

T4A3386

Stainless steel base or available in brass base material polished and plated or furnished in powder coat.

T4A3786

Steel material polished and plated or furnished in powder coat.



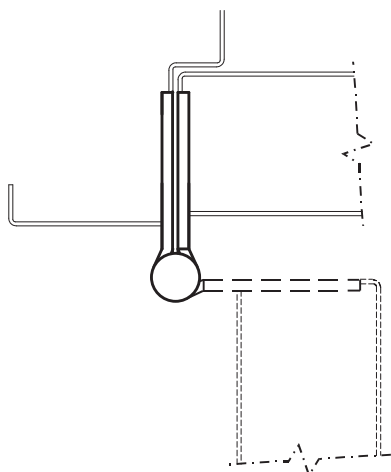
Available Options:

- NRP (non-removable pin)
- T4B (ball bearing)
- TCA (concealed bearing)
- RC (round corner - 1/4" radius furnished unless specified otherwise)
- HT (hospital tip)
- BT (ball tip)
- ST (steeple tip)
- SSF (safety stud feature)
- RB (raised barrel)*
- QC (ElectroLynx hinge) 2, 4, 6, 8, 10 or 12 wire available
- CC (concealed circuit) 4, 6 or 8 wire available**
- MM (magnetic monitoring)
- Beveled Edge (where doors are beveled on hinge side specify T4A4386 or T4A4786)

*Refer to page 98 for raised barrel.

Note: 8" x 6" and 8" x 8" have six bearings. Specify T6B3386 / T6B3786

APPLICATION



Available Sizes

| Inches | MM | Gauge |
|---------|---------------|-------|
| 4½ x 4½ | 114.3 x 114.3 | .180 |
| 5 x 4½ | 127 x 114.3 | .180 |
| 5 x 5 | 127 x 127 | .190 |
| 6 x 5 | 152.4 x 127 | .203 |
| 6 x 6* | 152.4 x 152.4 | .203 |
| 8 x 6* | 203.2 x 152.4 | .203 |
| 8 x 8* | 203.2 x 203.2 | .203 |

* Supplied in Bronze or Steel only

Full Mortise Hinge Fasteners

| Inches | MM | Gauge |
|---------|------------|---------|
| 4½ x 4½ | ½ x 12-24 | 1¼ x 12 |
| 5 x 4½ | ½ x 12-24 | 1¼ x 12 |
| 5 x 5 | ½ x 12-24 | 1¼ x 12 |
| 6 x 5 | ½ x 1/4-20 | 1¼ x 14 |
| 6 x 6 | ½ x 1/4-20 | 1½ x 14 |
| 8 x 6 | ½ x 1/4-20 | 1½ x 14 |
| 8 x 8 | ½ x 1/4-20 | 1½ x 14 |

Packing:

All 5K heavy weight full mortise hinges are packed with all machine and all wood screws. For special screws consult price book on availability.

ANSI Cross Reference:

A2111 Brass
A5111 Stainless
A8111 Steel

Recommended for use on high frequency and/or heavy wood or metal doors in schools, hospitals or other public buildings where heavy traffic is experienced.

McKINNEY Hinge Catalog

Wide Throw Full Mortise Bearing Hinges

Five Knuckle Heavy Weight Series

McKinney
ASSA ABLOY

T4A3386

Stainless steel base material polished, plated or furnished in powder coat.

T4A3786

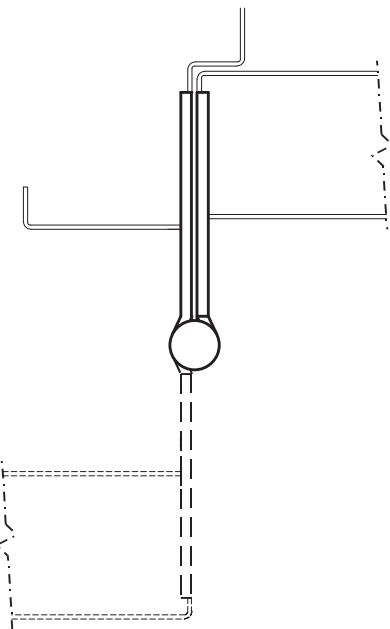
Steel base material polished and plated or furnished in powder coat.



Available Options:

- NRP (non-removable pin)
- T4B (ball bearing)
- RC (round corner - 1/4" radius furnished unless specified otherwise)
- HT (hospital tip)
- BT (ball tip)
- ST (steeple tip)
- SSF (safety stud feature)
- MM (magnetic monitoring)
- Beveled Edge (where doors are beveled on hinge side specify T4A4386 or T4A4786)

APPLICATION



Available Sizes

| Inches | MM | Gauge |
|--------|---------------|-------|
| 4½ x 5 | 114.3 x 127 | .180 |
| 4½ x 6 | 114.3 x 152.4 | .190 |
| 4½ x 7 | 114.3 x 177.8 | .190 |
| 4½ x 8 | 114.3 x 203.2 | .180 |
| 5 x 6 | 127 x 152.4 | .190 |
| 5 x 7 | 127 x 177.8 | .190 |
| 5 x 8 | 127 x 203.2 | .190 |

Packing:

All 5K full mortise heavy duty wide throw hinges are packed with all machine and all wood screws. For special screws consult price book on availability.

Full Mortise Wide Throw Hinge Fasteners

| Hinge Size | Machine | Wood |
|------------|-----------|---------|
| 4½ x 5 | ½ x 12-24 | 1¼ x 12 |
| 4½ x 6 | ½ x 12-24 | 1¼ x 12 |
| 4½ x 7 | ½ x 12-24 | 1¼ x 12 |
| 4½ x 8 | ½ x 12-24 | 1¼ x 12 |
| 5 x 6 | ½ x 12-24 | 1¼ x 12 |
| 5 x 7 | ½ x 12-24 | 1¼ x 12 |
| 5 x 8 | ½ x 12-24 | 1¼ x 12 |

ANSI Cross Reference:

A5111 Stainless
A8111 Steel

Recommended for use on high frequency and/or heavy wood or metal doors in schools, hospitals or other public buildings where heavy traffic is experienced.

McKINNEY Hinge Catalog

Swing Clear Full Mortise Bearing Hinges

Five Knuckle Standard Weight Series (Reversible)

McKinney
ASSA ABLOY

TA2395 / TA2895

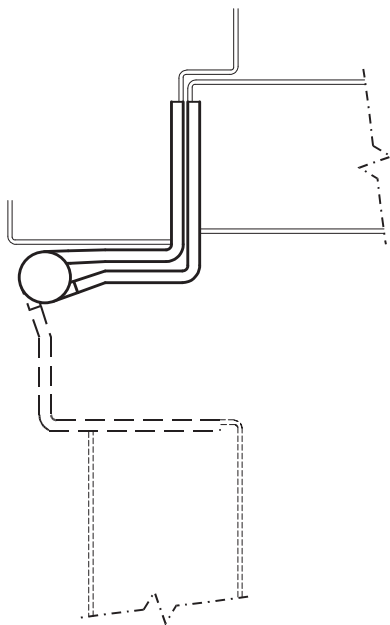
Stainless steel material or steel base material polished and plated or furnished in powder coat.



Available Options:

- TB (ball bearing)
- RC (round corner - 1/4" radius furnished unless specified otherwise)
- HT (hospital tip)
- SSF (safety stud feature)
- MM (magnetic monitoring)
- Beveled Edge (where doors are beveled on hinge side specify TA4895 or TA4395)

APPLICATION



Available Sizes

| Inches | MM | Gauge |
|--------|-------|-------|
| 4½ | 114.3 | .134 |

Full Mortise Swing Clear Hinge Fasteners

| Hinge Size | Machine | Wood |
|------------|-----------|---------|
| 4½ | ½ x 12-24 | 1¼ x 12 |

Packing:

All 5K standard weight full mortise hinges are packed with all machine and all wood screws. For special screws consult price book on availability. The pin is held in place by an NRP set screw which allows the hinge to be reversible.

ANSI Cross Reference:

A8122 Steel

Recommended for use on high frequency and/or heavy wood or metal doors in schools, hospitals or other public buildings where heavy traffic is experienced. Hinge allows for maximum clearance for passage of beds, tables or other equipment through doorway. Pressed steel jambs require no special reinforcing.

McKINNEY Hinge Catalog

Swing Clear Full Mortise Bearing Hinges

Five Knuckle Heavy Weight Series (Reversible)

McKinney
ASSA ABLOY

T4A3395

Stainless steel material polished and passivated.

T4A3795

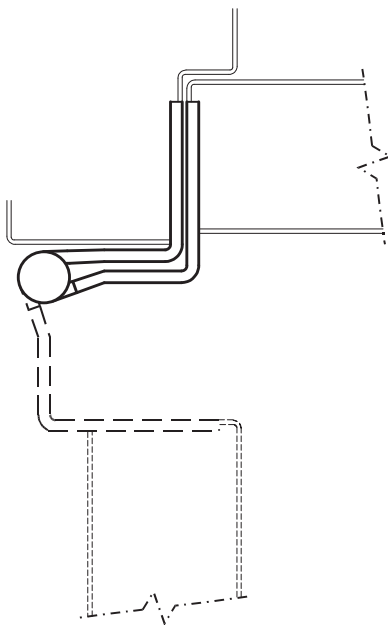
Steel base material polished and plated or furnished in powder coat.



Available Options:

- T4B (ball bearing)
- RC (round corner - 1/4" radius furnished unless specified otherwise)
- HT (hospital tip)
- SSF (safety stud feature)
- MM (magnetic monitoring)
- Beveled Edge (where doors are beveled on hinge side specify T4A4395 or T4A4795)

APPLICATION



Available Sizes

| Inches | MM | Gauge |
|--------|-------|-------|
| 4½ | 114.3 | .180 |
| 5 | 127 | .190 |

Swing Clear Full Mortise Hinge Fasteners

| Hinge Size | Machine | Wood |
|------------|-----------|---------|
| 4½ | ½ x 12-24 | 1¼ x 12 |
| 5 | ½ x 12-24 | 1¼ x 12 |

Packing:

All 5K heavy weight full mortise hinges are packed with all machine and all wood screws. For special screws consult price book on availability. The pin is held in place by an NRP set screw which allows the hinge to be reversible.

ANSI Cross Reference:

A5121 Stainless
A8121 Steel

Recommended for use on high frequency and/or heavy wood or metal doors in schools, hospitals or other public buildings where heavy traffic is experienced. Hinge allows for maximum clearance for passage of beds, tables or other equipment through doorway. Pressed steel jambs require no special reinforcing.

McKINNEY Hinge Catalog

Full Mortise Steel Hinges

Five Knuckle Standard Weight Series

McKinney
ASSA ABLOY



MP79

Plain bearing hinge. Steel base material polished and plated or furnished in prime coat.



MPB79

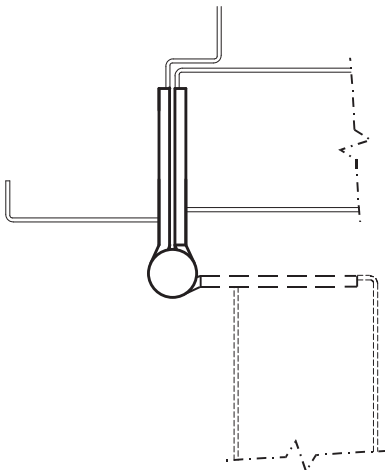
Bearing hinge. Steel base polished and plated or furnished in prime coat finish.



Available Options:

- NRP (non-removable pin)
- Consult the factory for available finishes

APPLICATION



Available Sizes

| Inches | MM | Gauge |
|---------|---------------|-------|
| 4½ x 4½ | 114.3 x 114.3 | .134 |

Swing Clear Full Mortise Hinge Fasteners

| Hinge Size | Machine | Wood |
|------------|-----------|---------|
| 4½ x 4 | ½ x 12-24 | 1¼ x 12 |
| 4½ x 4½ | ½ x 12-24 | 1¼ x 12 |

Packing:

Packed 3 each per box, 48 per carton.
 All machine x all wood screws.

ANSI Cross Reference:

A8112 Steel
 A8133 Steel

Recommended for standard weight doors. For doors with closing devices MPB 79, bearing hinge must be used. MacPro by McKINNEY templated hinges are made to conform to ANSI/BHMA 156.1, 156.7.

© McKINNEY Products Company 2006, 2007

January 2003

McKINNEY Hinge Catalog

Full Mortise Steel Hinges

Five Knuckle Standard Weight Series

McKinney®
ASSA ABLOY

MPB91

Bearing hinge. Stainless base polished to a satin finish.



Available Sizes

| Inches | MM | Gauge |
|---------|---------------|-------|
| 4½ x 4½ | 114.3 x 114.3 | .134 |

Available Options:

- NRP (non-removable pin)

Available Finishes

- U32D Satin Stainless

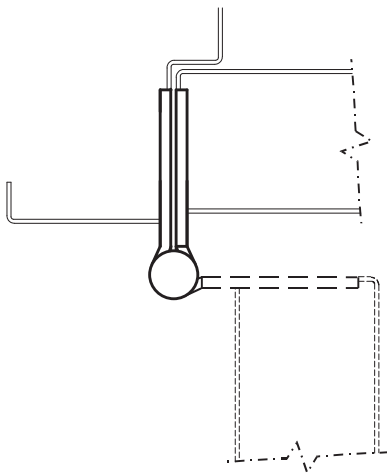
Packing:

Packed 3 each per box, 48 per carton.
 All machine x all wood screws.

ANSI Cross Reference:

A5112 Stainless

APPLICATION



Recommended for standard weight, medium frequency doors, or doors with closing devices. MacPro by McKINNEY templated hinges are made to conform to ANSI/BHMA 156.1, 156.7.

McKINNEY Hinge Catalog

Full Mortise Steel Hinges

Five Knuckle Heavy Weight Series

McKinney[®]

ASSA ABLOY

MPB99

Bearing hinge, stainless steel base, polished to a satin stainless finish.

MPB68

Bearing hinge. Steel base polished and plated.

Available Options:

- NRP (non-removable pin)
- Consult the factory for available finishes



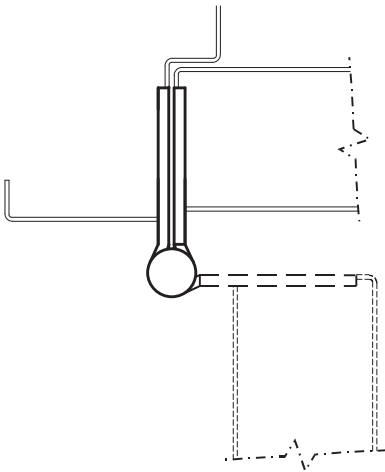
Packing:

Packed 3 each per box, 48 per carton.
All machine x all wood screws.

ANSI Cross Reference:

A5111 Stainless
A8111 Steel

APPLICATION



Available Sizes

| Inches | MM | Gauge |
|---------|---------------|-------|
| 4½ x 4½ | 114.3 x 114.3 | .180 |

Recommended for use on high frequency and or heavy wood or metal doors in schools, hospitals or other public buildings where heavy traffic is experienced. MacPro by McKINNEY templated hinges are made to conform to ANSI/BHMA 156.1, 156.7.

McKINNEY Hinge Catalog Standard Duty Center Hung Jamb Mount Pivot Set

McKinney
ASSA ABLOY

EP5-J

Ferrous base pivot set polished and plated.



Features:

- Thrust steel ball bearing in bottom pivot, oil impregnated bronze bearing in top pivot
- Center hung
- Mortised into side jamb
- Full mortise top pivot
- Non-handed
- Ferrous material
- 1⁵/₃₂" radius heel edge of door

Maximum Door Weight:

Interior or exterior doors up to:

- 125 lbs
- 3'6" x 8'0"*

Door Weight Chart (lbs per square foot)

| | Door Thickness | |
|-------------------------|-----------------------------------|-----------------------------------|
| | 1 ¹ / ₄ " | 2" |
| Aluminum | 3 ¹ / ₂ lbs | 5 lbs |
| Wood - Particle Core | 5 lbs | 5 ¹ / ₄ lbs |
| Wood - Stave Block Core | 4 lbs | 4 ¹ / ₂ lbs |
| 14 Gauge Hollow Metal | 8 ¹ / ₄ lbs | 10 lbs |
| 16 Gauge Hollow Metal | 7 ¹ / ₂ lbs | 8 ¹ / ₂ lbs |
| 18 Gauge Hollow Metal | 6 ¹ / ₂ lbs | 7 ¹ / ₂ lbs |

Packing:

All EP5-J Pivot sets are packed with 14 x 1¹/₂" wood screws and 1/4-20 x 5/8" machine screws

ANSI Cross Reference

C07042

Recommended for use on average frequency double acting doors in schools, hospitals, institutions and other public buildings. Not for use on labeled doors and frames.

McKINNEY Hinge Catalog

Full Mortise Institutional Hinges

Maximum Security Protection Series

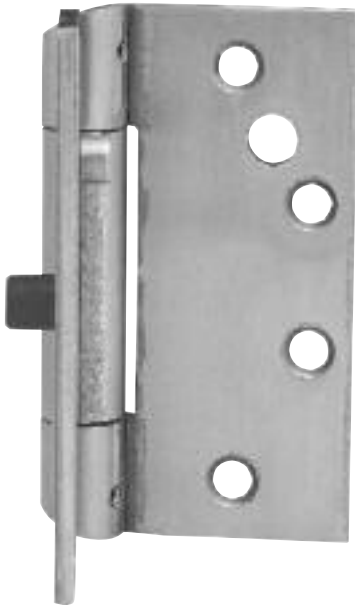
McKinney[®]

ASSA ABLOY

HTA386 MSP-A

Set of three Hospital Tip hinges featuring concealed bearing assemblies. The top and bottom hinges are furnished with Prison Safety Feature (PSF) and Safety Studs (SSF).

The middle hinge is not supplied with PSF or SSF

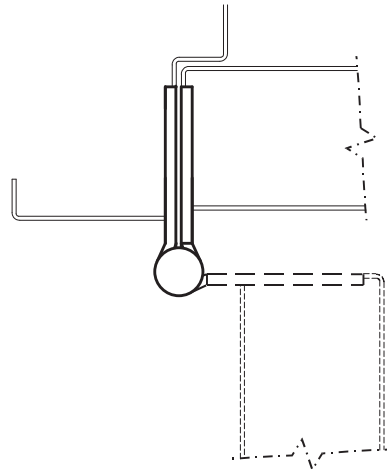


HTA386 MSP-B

Set of three Hospital Tip hinges featuring concealed bearing assemblies. The top and bottom hinges are furnished with Prison Safety Feature (PSF) and Safety Studs (SSF) - the third hinge is furnished with QC8 Electrolynx connectors.

The electric hinge is not furnished with PSF or SSF

APPLICATION



Available Options:

- MM (magnetic monitoring)*
- Beveled Edge (where doors are beveled on hinge side specify)

HTA5386 MSP-A or
HTA5386 MSP-B

*Not available with PSF option

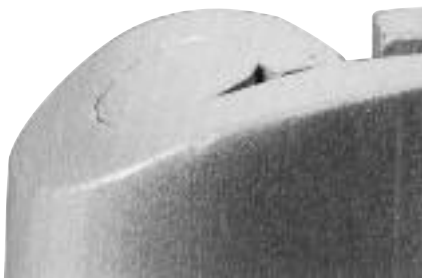
Available Sizes

| Inches | MM | Gauge |
|---------|---------------|-------|
| 4½ x 4½ | 114.3 x 114.3 | .180 |
| 5 x 4½* | 127 x 114.3 | .190 |

Institutional Hinge Fasteners

Torx Pin Head Machine 1/2 x 12 - 24
Wood Screws supplied by request only
1-1/4 x 12 Torx Pin Head

HOSPITAL TIP (HT)



PRISON SAFETY FEATURE (PSF)



Packing:

All 3K heavy weight full mortise institutional hinges are packed with all Torx Head Security machine screws. For special screws consult price book on availability.

ANSI Cross Reference:

A5111 Stainless

Recommended for use on high frequency and/or heavy wood or metal doors in schools, hospitals or other public buildings where security requirements exist.

McKINNEY Hinge Catalog

Full Mortise Anchor Hinge Set

Three Knuckle Heavy Weight Series

McKinney
ASSA ABLOY

For use with concealed door holders or door closers

TA391

Stainless steel base material polished, plated or furnished in powder coat.

TA791

Steel base material polished and plated or furnished in powder coat.



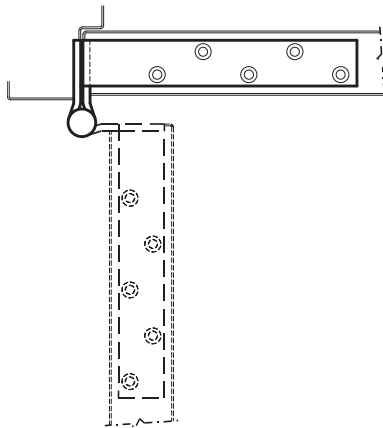
Available Options:

- SSF (safety stud feature)
- CC-4 (concealed circuit - 4 wire, center hinge only)
- QC (ElectroLynx hinge) 2, 4, 6, 8, 10 or 12 wire available, center hinge only
- CC (concealed circuit) 4, 6 or 8 wire available, center hinge only
- MM (magnetic monitoring, center hinge only)
- Beveled Edge (where doors are beveled on hinge side specify TA5391 or TA5791)

Packing:

All 3K heavy weight full mortise anchor hinge sets consist of one anchor hinge and two 5 x 4¹/₂ full mortise hinges. These sets require handling and are packed with all machine and all wood screws. For special screws consult price book on availability. Because the pin is inserted from the bottom of the barrel, it is held in place by an NRP set screw which is normally furnished with other hinges only as an extra cost option. Anchor plate for door header only, permits use of holders and closers concealed in the top of the jamb. The screws go into the door header and are in shear preventing the hinge from pulling loose from the door.

APPLICATION



Available Sizes

| Inches | MM | Gauge |
|-----------------------------------|-------------|-------|
| 5 x 4 ¹ / ₂ | 127 x 114.3 | .190 |

Full Mortise Anchor Hinge Fasteners

| Hinge Size | Machine | Wood |
|-----------------------------------|-----------|---------|
| 5 x 4 ¹ / ₂ | ½ x 12-24 | 1¼ x 12 |

Recommended for use on high frequency and/or heavy wood or metal doors in schools, hospitals or other public buildings where heavy traffic is experienced. They are designed especially for doors where other hardware (door holders or door closers) or abuse places an unusual strain on the door, jamb and hinges.

ANSI Cross Reference

A5551 Stainless
A8551 Steel

McKINNEY Hinge Catalog

Full Mortise Anchor Hinge Set

Three Knuckle Heavy Weight Series

McKinney
ASSA ABLOY

For use with surface applied door holders or door closers

TA392

Stainless steel base material polished, plated or furnished in powder coat.

TA792

Steel base material polished and plated or furnished in powder coat.



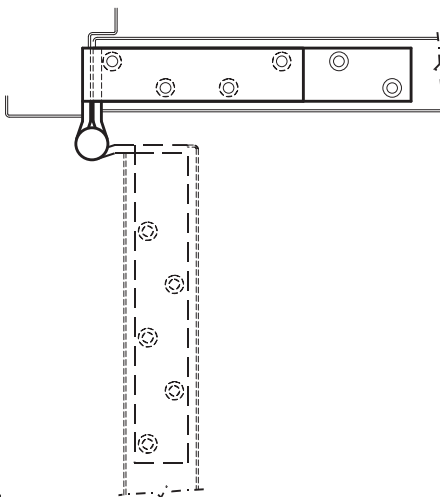
Available Options:

- SSF (safety stud feature)
- QC (ElectroLynx hinge) 2, 4, 6, 8, 10 or 12 wire available, center hinge only
- CC (concealed circuit) 4, 6 or 8 wire available, center hinge only
- MM (magnetic monitoring, center hinge only)
- Beveled Edge (where doors are beveled on hinge side specify TA5392 or TA5792)

Packing:

All 3K heavy weight full mortise anchor hinge sets consist of one anchor hinge and two 5 x 4¹/₂ full mortise hinges. These sets require handing and are packed with all machine and all wood screws. For special screws consult price book on availability. Because the pin is inserted from the bottom of the barrel, it is held in place by an NRP set screw which is normally furnished with other hinges only as an extra cost option. Anchor plate for jamb and door header permits use of surface applied holders and closers. The screws are in shear preventing the hinge from pulling loose from either the door or the jamb.

APPLICATION



Available Sizes

| Inches | MM | Gauge |
|-----------------------------------|-------------|-------|
| 5 x 4 ¹ / ₂ | 127 x 114.3 | .190 |

Full Mortise Anchor Hinge Fasteners

| Hinge Size | Machine | Wood |
|-----------------------------------|-------------|------------|
| 5 x 4 ¹ / ₂ | 1/2 x 12-24 | 1 1/4 x 12 |

ANSI Cross Reference

A5551 Stainless
A8551 Steel

Recommended for use on high frequency and/or heavy wood or metal doors in schools, hospitals or other public buildings where heavy traffic is experienced. They are designed especially for doors where other hardware (door holders or door closers) or abuse places an unusual strain on the door, jamb and hinges.

McKINNEY Hinge Catalog

Full Mortise Anchor Hinge Set

Three Knuckle Heavy Weight Series

McKinney
ASSA ABLOY

For use with concealed door holders or door closers

TA393

Stainless steel base material polished, plated or furnished in powder coat.

TA793

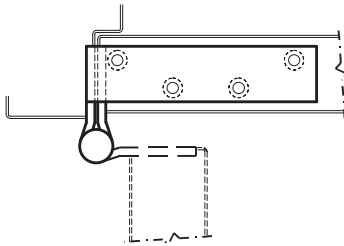
Steel base material polished and plated or furnished in powder coat.



Available Options:

- SSF (safety stud feature)
- QC (ElectroLynx hinge) 2, 4, 6, 8, 10 or 12 wire available, center hinge only
- CC (concealed circuit) 4, 6 or 8 wire available, center hinge only
- MM (magnetic monitoring, center hinge only)
- Beveled Edge (where doors are beveled on hinge side specify TA5393 or TA5793)

APPLICATION



Available Sizes

| Inches | MM | Gauge |
|--------|-------------|-------|
| 5 x 4½ | 127 x 114.3 | .190 |

Full Mortise Anchor Hinge Fasteners

| Hinge Size | Machine | Wood |
|------------|-----------|---------|
| 5 x 4½ | ½ x 12-24 | 1¼ x 12 |

Packing:

All 3K heavy weight full mortise anchor hinge sets consist of one anchor hinge and two 5 x 4½ full mortise hinges. These sets require handing and are packed with all machine and ½ wood screws. For special screws consult price book on availability. Because the pin is inserted from the bottom of the barrel, it is held in place by an NRP set screw which is normally furnished with other hinges only as an extra cost option. Anchor plate for jamb header only, permits use of holders and closers concealed in the top of the door. The screws go into the jamb header and are in shear preventing the hinge from pulling loose from the jamb.

ANSI Cross Reference

A5551 Stainless
A8551 Steel

Recommended for use on high frequency and/or heavy wood or metal doors in schools, hospitals or other public buildings where heavy traffic is experienced. They are designed especially for doors where other hardware (door holders or door closers) or abuse places an unusual strain on the door, jamb and hinges.

McKINNEY Hinge Catalog

Full Mortise Anchor Hinge Set

Three Knuckle Heavy Weight Series

McKinney®
ASSA ABLOY

TA394 - 4" DOOR LEG

Stainless steel base material polished, plated or furnished in powder coat.

TA794 - 4" DOOR LEG

Steel base material polished and plated or furnished in powder coat.



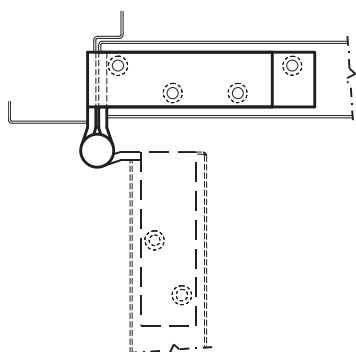
Available Options:

- SSF (safety stud feature)
- CC-4 (only)
- QC (ElectroLynx hinge) 2, 4, 6, 8, 10 or 12 wire available, center hinge only
- CC (concealed circuit) 4, 6 or 8 wire available, center hinge only
- MM (magnetic monitoring, center hinge only)
- Beveled Edge (where doors are beveled on hinge side specify TA5394 or TA5794)

Packing:

All 3K heavy weight full mortise anchor hinge sets consist of one anchor hinge and two 5 x 4 1/2 full mortise hinges. These sets require handing and are packed with all machine and 1/2 wood screws. For special screws consult price book on availability. Because the pin is inserted from the bottom of the barrel, it is held in place by an NRP set screw which is normally furnished with other hinges only as an extra cost option. Anchor plate for jamb and door header, permits use of surface applied holders and closers. The screws are in shear preventing the hinge from pulling loose from either the jamb or the door.

APPLICATION



Available Sizes

| Inches | MM | Gauge |
|-----------|-------------|-------|
| 5 x 4 1/2 | 127 x 114.3 | .190 |

Full Mortise Anchor Hinge Fasteners

| Hinge Size | Machine | Wood |
|------------|-------------|------------|
| 5 x 4 1/2 | 1/2 x 12-24 | 1 1/4 x 12 |

ANSI Cross Reference

A5551 Stainless
A8551 Steel

Recommended for use on high frequency and/or heavy wood or metal doors in schools, hospitals or other public buildings where heavy traffic is experienced. They are designed especially for doors where other hardware (door holders or door closers) or abuse places an unusual strain on the door, jamb and hinges.

McKINNEY Hinge Catalog
Half Mortise Plain Bearing Hinges
Five Knuckle Standard Weight Series (Reversible)

McKinney
ASSA ABLOY

T2774

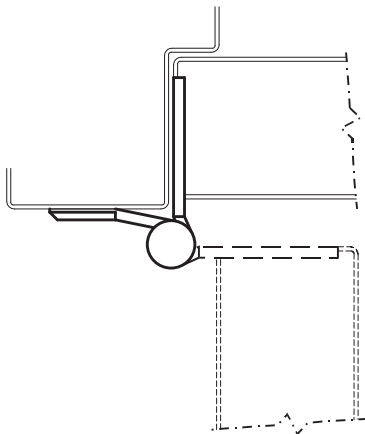
Steel base material polished and plated or furnished in powder coat.



Available Options:

- HT (hospital tip)
- Beveled Edge (where doors are beveled on hinge side specify T4774)

APPLICATION



Recommended for use on minimum frequency and/or light weight wood or stock hollow metal doors in residences, apartments or other very low frequency doors in commercial construction. The hinges may be used on channel iron jambs.

Note: Bearing hinges should be used on high and average frequency doors and on all doors equipped with door closers and/or door holders.

Available Sizes

| Inches | MM | Gauge |
|--------|-------|-------|
| 4½ | 114.3 | .134 |

Half Mortise Hinge Fasteners

| Hinge Size | Machine |
|------------|-----------|
| 4½ | ½ x 12-24 |

Packing:

All 5K plain bearing standard weight half mortise hinges are packed with all machine screws. For special screws consult price book on availability. The jamb leaf is applied to the surface of the jamb with machine screws. The door leaf is mortised into the edge of the door. The pin is held in place by an NRP set screw which allows the hinge to be reversible.

ANSI Cross Reference

A8233 Steel

McKINNEY Hinge Catalog

Half Mortise Bearing Hinges

Five Knuckle Standard Weight Series (Reversible)

McKinney
ASSA ABLOY

TA3374

Stainless steel base material polished, plated or furnished in powder coat.

TA2774

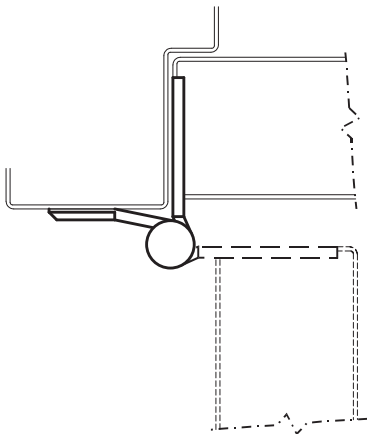
Steel base material polished and plated or furnished in powder coat.

Available Options:

- TB (ball bearing)
- TCA (concealed bearing)
- HT (hospital tip)
- Beveled Edge (where doors are beveled on hinge side specify TA4374 or TA4774)



APPLICATION



Available Sizes

| Inches | MM | Gauge |
|--------|-------|-------|
| 4½ | 114.3 | .134 |
| 5 | 127.0 | .146 |

Half Mortise Hinge Fasteners

| Hinge Size | Machine |
|------------|-----------|
| 4½ | ½ x 12-24 |
| 5 | ½ x 12-24 |

Packing:

All 5K standard weight half mortise hinges are packed with all machine screws. For special screws consult price book on availability. The jamb leaf is applied to the surface of the jamb with machine screws. The door leaf is mortised into the edge of the door. The pin is held in place by an NRP set screw which allows the hinge to be reversible.

ANSI Cross Reference

A5212 Stainless
A8212 Steel

Recommended for use on average frequency and/or medium weight wood or metal doors in schools, hospitals or other public buildings where medium traffic is experienced. The hinges may be used on channel iron jambs.

McKINNEY Hinge Catalog

Half Mortise Bearing Hinges

Three Knuckle Standard Weight Series (Reversible)

McKinney
ASSA ABLOY

TA374

Stainless steel base material polished, plated or furnished in powder coat.

TA774

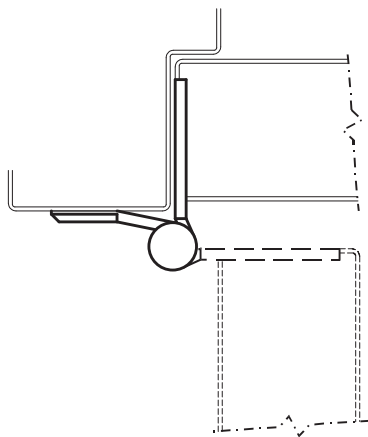
Steel base material polished and plated or furnished in powder coat.

Available Options

- HT (hospital tip)
- Beveled Edge (where doors are beveled on hinge side specify TA5374 or TA5774)



APPLICATION



Recommended for use on average frequency and/or medium weight wood or metal doors in schools, hospitals or other public buildings where medium traffic is experienced. The hinges may be used on channel iron jambs.

Available Sizes

| Inches | MM | Gauge |
|--------|-------|-------|
| 4½ | 114.3 | .134 |
| 5 | 127.0 | .146 |

Half Mortise Hinge Fasteners

| Hinge Size | Machine |
|------------|-----------|
| 4½ | ½ x 12-24 |
| 5 | ½ x 12-24 |

Packing:

All 3K standard weight half mortise hinges are packed with all machine screws. For special screws consult price book on availability. The jamb leaf is applied to the surface of the jamb with machine screws. The door leaf is mortised into the edge of the door. The pin is held in place by an NRP set screw which allows the hinge to be reversible.

ANSI Cross Reference

A5212 Stainless
A8212 Steel

McKINNEY Hinge Catalog

Half Mortise Bearing Hinges

Three Knuckle Heavy Weight Series (Reversible)

McKinney[®]

ASSA ABLOY

TA384

Stainless steel base material polished, plated or furnished in powder coat.

TA784

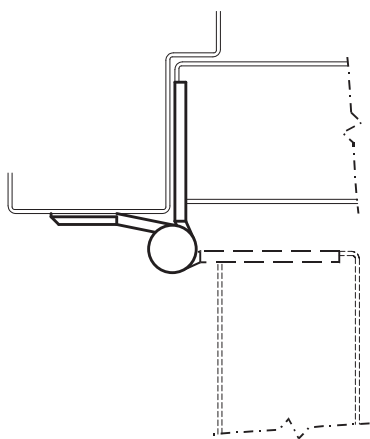
Steel base material polished and plated or furnished in powder coat.

Available Options

- HT (hospital tip)
- Beveled Edge (where doors are beveled on hinge side specify TA5384 or TA5784)



APPLICATION



Available Sizes

| Inches | MM | Gauge |
|--------|-------|-------|
| 4½ | 114.3 | .180 |
| 5 | 127.0 | .190 |
| 6* | 152.4 | .203 |

* Advise door thickness 1¾" or 2¼"

Half Mortise Hinge Fasteners

| Hinge Size | Machine |
|------------|-----------|
| 4½ | ½ x 12-24 |
| 5 | ½ x 12-24 |
| 6 | ½ x 12-24 |

Packing:

All 3K heavy weight half mortise hinges are packed with all machine screws. For special screws consult price book on availability. The jamb leaf is applied to the surface of the jamb with machine screws. The door leaf is mortised into the edge of the door. The pin is held in place by an NRP set screw which allows the hinge to be reversible.

ANSI Cross Reference

A5211 Stainless
A8211 Steel

Recommended for use on high frequency and/or heavy weight wood or metal doors in schools, hospitals or other public buildings where heavy traffic is experienced. The hinges may be used on channel iron jambs.

McKINNEY Hinge Catalog

Half Mortise Bearing Hinges

Five Knuckle Heavy Weight Series (Reversible)

McKinney
ASSA ABLOY

T4A3384

Stainless steel base material polished, plated or furnished in powder coat.

T4A3784

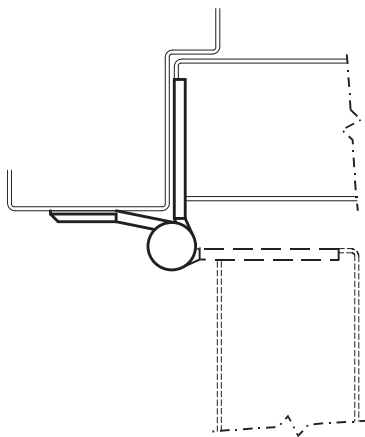
Steel base material polished and plated or furnished in powder coat.

Available Options

- T4B (ball bearing)
- TCA (concealed bearing)
- HT (hospital tip)
- Beveled Edge (where doors are beveled on hinge side specify T4A4384 or T4A4784)



APPLICATION



Available Sizes

| Inches | MM | Gauge |
|--------|-------|-------|
| 4½ | 114.3 | .180 |
| 5 | 127.0 | .190 |
| 6* | 152.4 | .203 |

* Advise door thickness 1¾" or 2¼"

Half Mortise Hinge Fasteners

| Hinge Size | Machine |
|------------|-----------|
| 4½ | ½ x 12-24 |
| 5 | ½ x 12-24 |
| 6 | ½ x 12-24 |

Packing:

All 5K heavy weight half mortise hinges are packed with all machine screws. For special screws consult price book on availability. The jamb leaf is applied to the surface of the jamb with machine screws. The door leaf is mortised into the edge of the door. The pin is held in place by an NRP set screw which allows the hinge to be reversible.

ANSI Cross Reference

A5211 Stainless
A8211 Steel

Recommended for use on high frequency and/or heavy weight wood or metal doors in schools, hospitals or other public buildings where heavy traffic is experienced. The hinges may be used on channel iron jambs.

McKINNEY Hinge Catalog

Swing Clear Half Mortise Bearing Hinges

Three Knuckle Heavy Weight Series (Reversible)

McKinney
ASSA ABLOY

TA789

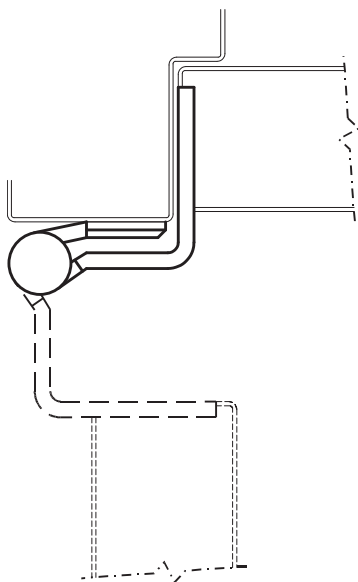
Steel base material polished and plated or furnished in powder coat.



Available Options

- HT (hospital tip)
- Beveled Edge (where doors are beveled on hinge side specify TA5789)

APPLICATION



Available Sizes

| Inches | MM | Gauge |
|--------|-------|-------|
| 5 | 127.0 | .190 |

Packing:

All 3K swing clear heavy weight half mortise hinges are packed with all machine screws for the door and $\frac{1}{2} \times \frac{1}{4}$ -20 machine screws for the jamb leaf. For special screws consult price book on availability. The jamb leaf is applied to the surface of the jamb with machine screws. The door leaf is mortised into the edge of the door. The pin is held in place by an NRP set screw which allows the hinge to be reversible.

ANSI Cross Reference

A8221 Steel

Recommended for use on high frequency and/or heavy weight wood or metal doors in schools, hospitals or other public buildings where heavy traffic is experienced. The swing of these hinges allows maximum clearance for passage of beds, tables or other equipment through door openings. These hinges may be used on channel iron frames.

McKINNEY Hinge Catalog

Swing Clear Half Mortise Bearing Hinges

Five Knuckle Heavy Weight Series (Reversible)

McKinney
ASSA ABLOY

T4A3789

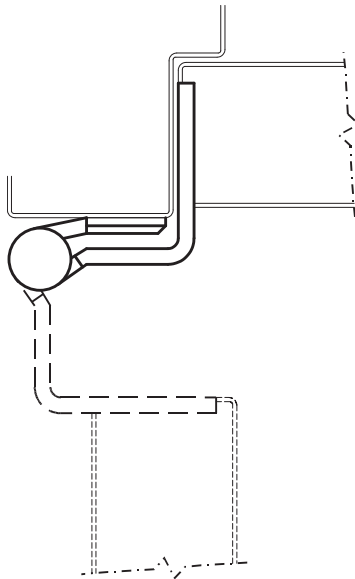
Steel base material polished and plated or furnished in powder coat.



Available Options

- T4B (ball bearing)
- HT (hospital tip)
- Beveled Edge (where doors are beveled on hinge side specify T4A4789)

APPLICATION



Recommended for use on high frequency and/or heavy weight wood or metal doors in schools, hospitals or other public buildings where heavy traffic is experienced. The swing of these hinges allows maximum clearance for passage of beds, tables or other equipment through door openings. These hinges may be used on channel iron frames.

Available Sizes

| Inches | MM | Gauge |
|--------|-------|-------|
| 5 | 127.0 | .190 |

Packing:

All 5K swing clear heavy weight half mortise hinges are packed with all machine and 1/2 wood screws for the door and 1/2 x 1/4-20 machine screws for the jamb leaf. For special screws consult price book on availability. The jamb leaf is applied to the surface of the jamb with machine screws. The door leaf is mortised into the edge of the door. The pin is held in place by an NRP set screw which allows the hinge to be reversible.

ANSI Cross Reference

A8221 Steel

INTENTIONALLY LEFT BLANK

McKINNEY Hinge Catalog

Half Surface Bearing Hinges

Three Knuckle Standard Weight Series (Reversible)

McKinney®
ASSA ABLOY

TA372

Stainless steel base material polished, plated or furnished in powder coat.

TA772

Steel base material polished and plated or furnished in powder coat.

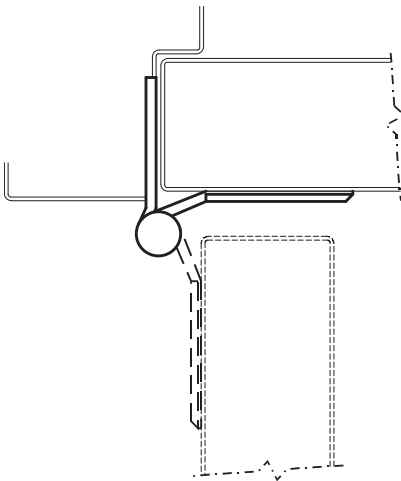
Available Options

- Back Plate (BP-10)*
- HT (hospital tip)

*Refer to page 85 for BP-10



APPLICATION



Recommended for use on frequency and/or medium weight wood or metal doors in schools, hospitals or other public buildings where medium traffic is experienced.

Available Sizes

| Inches | MM | Gauge |
|--------|-------|-------|
| 4½ | 114.3 | .134 |
| 5 | 127.0 | .146 |

Packing:

All 3K standard weight half surface hinges are packed with all machine screws and 2 x 1/4-20 door bolts and grommet nuts. For special screws consult price book on availability. The jamb leaf is fastened into the mortise with machine screws. The door leaf is applied full surface with grommet nuts and bolts. Specify if the door thickness is greater than 1 3/4" to insure that proper bolt is packed. The pin is held in place by an NRP set screw which allows the hinge to be reversible.

ANSI Cross Reference

A5212 Stainless
A8212 Steel

McKINNEY Hinge Catalog

Half Surface Bearing Hinges

Three Knuckle Heavy Weight Series (Reversible)

McKinney
ASSA ABLOY

TA382

Stainless steel base material polished, plated or furnished in powder coat.

TA782

Steel base material polished and plated or furnished in powder coat.

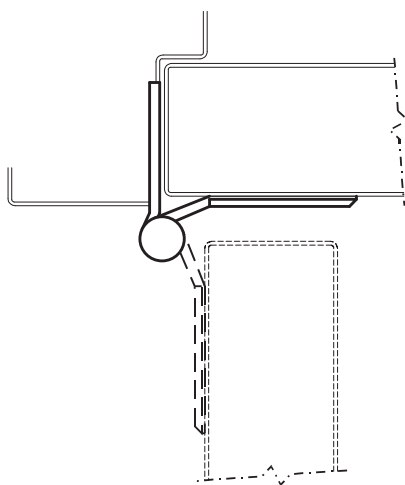
Available Options

- Back Plate (BP-10)*
- HT (hospital tip)

* Refer to page 85 for BP-10



APPLICATION



Available Sizes

| Inches | MM | Gauge |
|--------|-------|-------|
| 4½ | 114.3 | .180 |
| 5 | 127.0 | .190 |
| 6 | 152.4 | .203* |

* Not available in Stainless Steel

Packing:

All 3K heavy weight half surface hinges are packed with all machine screws and 2 x 1/4-20 door bolts and grommet nuts. For special screws consult price book on availability. The jamb leaf is fastened into the mortise with machine screws. The door leaf is applied full surface grommet nuts and bolts. Specify if the door thickness is greater than 1¾" to insure that proper bolt is packed. The pin is held in place by an NRP set screw which allows the hinge to be reversible.

ANSI Cross Reference

A5411 Stainless
A8411 Steel

Recommended for use on frequency and/or heavy weight wood or metal doors in schools, hospitals or other public buildings where heavy traffic is experienced.

McKINNEY Hinge Catalog

Half Surface Plain Bearing Hinges

Five Knuckle Standard Weight Series (Reversible)

McKinney
ASSA ABLOY

T2772

Steel base material polished and plated or furnished in powder coat.

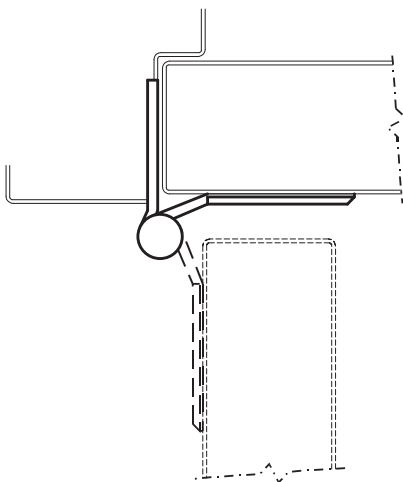


Available Options

- Back Plate (BP-10)*
- HT (hospital tip)

* Refer to page 85 for BP-10

APPLICATION



Available Sizes

| Inches | MM | Gauge |
|--------|-------|-------|
| 4 1/2 | 114.3 | .134 |

Packing:

All 5K plain bearing standard weight half surface hinges are packed with all machine screws and 2 x 1/4-20 door bolts and grommet nuts. For special screws consult price book on availability. The jamb leaf is fastened into the mortise with machine screws. The door leaf is applied full surface with grommet nuts and bolts. Specify if the door thickness is greater than 1 3/4" to insure that proper bolt is packed. The pin is held in place by an NRP set screw which allows the hinge to be reversible.

Recommended for use on minimum frequency and/or light weight wood or stock hollow metal doors in residences, apartments or other very low frequency doors in commercial construction. The hinges may be used on channel iron jambs.

Note: Bearing hinges should be used on high and average frequency doors and on all doors equipped with door closers and/or door holders.

ANSI Cross Reference

A8433 Steel

McKINNEY Hinge Catalog

Half Surface Bearing Hinges

Five Knuckle Standard Weight Series (Reversible)

McKinney
ASSA ABLOY

TA2372

Stainless steel base material polished, plated or furnished in powder coat.

TA2772

Steel base material polished and plated or furnished in prime or powder coat.

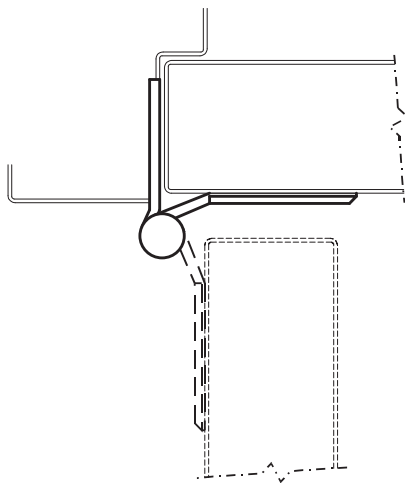


Available Options

- Back Plate (BP-10)*
- TB (ball bearing)
- TCA (concealed bearing)
- HT (hospital tip)

* Refer to page 85 for BP-10

APPLICATION



Available Sizes

| Inches | MM | Gauge |
|--------|-------|-------|
| 4½ | 114.3 | .134 |
| 5 | 127.0 | .146 |

Packing:

All 5K standard weight half surface hinges are packed with all machine screws and 2 x ¼-20 door bolts and grommet nuts. For special screws consult price book on availability. The jamb leaf is fastened into the mortise with machine screws. The door leaf is applied full surface with grommet nuts and bolts. Specify if the door thickness is greater than 1¾" to insure that proper bolt is packed. The pin is held in place by an NRP set screw which allows the hinge to be reversible.

ANSI Cross Reference

A5412 Stainless
A8412 Steel

Recommended for use on average frequency and/or medium weight wood or metal doors in schools, hospitals or other public buildings where medium traffic is experienced.

McKINNEY Hinge Catalog

Half Surface Bearing Hinges

Five Knuckle Heavy Weight Series (Reversible)

McKinney®
ASSA ABLOY

T4A3382

Stainless steel base material polished, plated or furnished in powder coat.

T4A3782

Steel base material polished and plated or furnished in powder coat.

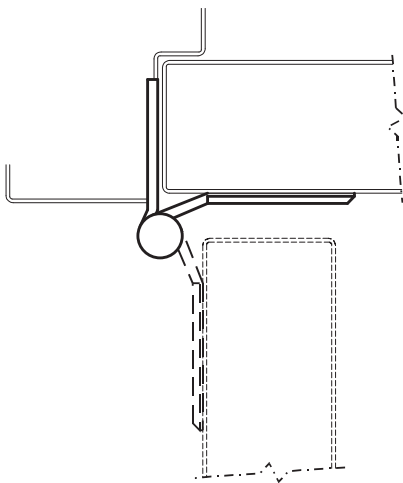
Available Options

- Back Plate (BP-10)*
- TB (ball bearing)
- TCA (concealed bearing)
- HT (hospital tip)

* Refer to page 85 for BP-10



APPLICATION



Available Sizes

| Inches | MM | Gauge |
|--------|-------|-------|
| 4½ | 114.3 | .180 |
| 5 | 127.0 | .190 |
| 6* | 152.4 | .203 |

* Not available in Stainless Steel or TCA

Packing:

All 5K standard weight half surface hinges are packed with all machine screws and 2 x ¼-20 door bolts and grommet nuts. For special screws consult price book on availability. The jamb leaf is fastened into the mortise with machine screws. The door leaf is applied full surface with grommet nuts and bolts. Specify if the door thickness is greater than 1¾" to insure that proper bolt is packed. The pin is held in place by an NRP set screw which allows the hinge to be reversible.

ANSI Cross Reference

A5411 Stainless
A8411 Steel

Recommended for use on high frequency and/or heavy weight wood or metal doors in schools, hospitals or other public buildings where heavy traffic is experienced.

McKINNEY Hinge Catalog

Swing Clear Half Surface Bearing Hinges

Three Knuckle Heavy Weight Series (Reversible)

McKinney
ASSA ABLOY

TA796

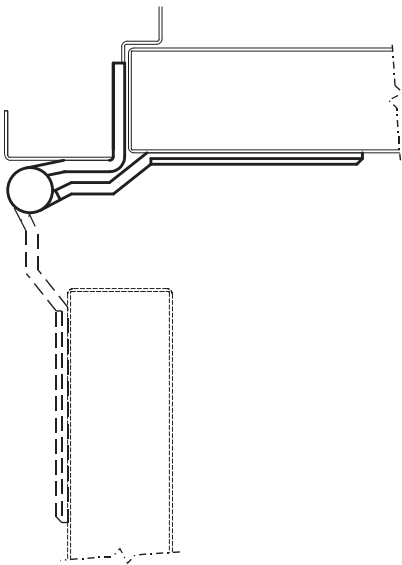
Steel base material polished and plated or furnished in powder coat.

Available Options

- HT (hospital tip)



APPLICATION



Available Sizes

| Inches | MM | Gauge |
|--------|-------|-------|
| 5 | 127.0 | .190 |

Packing:

All 3K swing clear heavy weight half surface hinges are packed with all machine screws and 2 x 1/4-20 door bolts and grommet nuts. For special screws consult price book on availability. The jamb leaf is fastened into the mortise with machine screws. The door leaf is applied full surface with grommet nuts and bolts. Specify if the door thickness is greater than 1 3/4" to insure that proper bolt is packed. The pin is held in place by an NRP set screw which allows the hinge to be reversible.

ANSI Cross Reference

A8421 Steel

Recommended for use on high frequency and/or heavy weight wood or metal doors in schools, hospitals or other public buildings where heavy traffic is experienced. The swing of these hinges allows maximum clearance for passage of beds, tables or other equipment through door openings.

McKINNEY Hinge Catalog

Swing Clear Half Surface Bearing Hinges

Five Knuckle Heavy Weight Series (Reversible)

McKinney
ASSA ABLOY

T4A3796

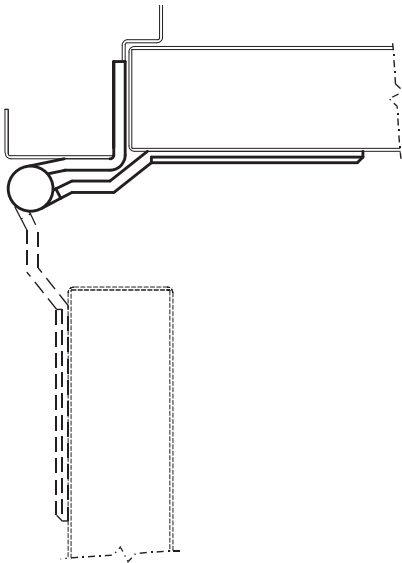
Steel base material polished and plated or furnished in powder coat.



Available Options

- T4B (ball bearing)
- HT (hospital tip)

APPLICATION



Available Sizes

| Inches | MM | Gauge |
|--------|-------|-------|
| 5 | 127.0 | .190 |

Packing:

All 5K swing clear heavy weight half surface hinges are packed with all machine screws and 2 x 1/4-20 door bolts and grommet nuts. For special screws consult price book on availability. The jamb leaf is fastened into the mortise with machine screws. The door leaf is applied full surface with grommet nuts and bolts. Specify if the door thickness is greater than 1 3/4" to insure that proper bolt is packed. The pin is held in place by an NRP set screw which allows the hinge to be reversible.

ANSI Cross Reference

A8421 Steel

Recommended for use on high frequency and/or heavy weight wood or metal doors in schools, hospitals or other public buildings where heavy traffic is experienced. The swing of these hinges allows maximum clearance for passage of beds, tables or other equipment through door openings.

INTENTIONALLY LEFT BLANK

McKINNEY Hinge Catalog

Full Surface Bearing Hinges

Three Knuckle Heavy Weight Series

McKinney
ASSA ABLOY

TA381

Stainless steel base material polished and passivated or Bronze base material polished and plated or furnished in powder coat.

TA781

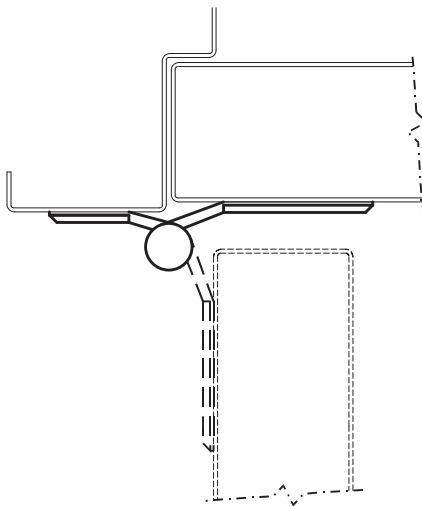
Steel base material polished and plated or furnished in powder coat.

Available Options

- HT (hospital tip)



APPLICATION



Recommended for use on high frequency and/or heavy weight wood or Kalamein doors in schools, hospitals or other public buildings where medium traffic prevails. The hinges may be used on channel iron frames.

Available Sizes

| Inches | MM | Gauge |
|--------|-------|-------|
| 4½ | 114.3 | .134 |
| 5 | 127.0 | .146 |

The narrow leaf is applied to the surface of the jamb with machine (½x12-24)* screws and the door leaf is applied to the surface of the door with wood screws or grommet nuts and bolts (2x¼-20). Specify door thickness if greater than 1¾".

ANSI Cross Reference

A2311 Bronze
 A5311 Stainless
 A8311 Steel

McKINNEY Hinge Catalog

Full Surface Bearing Hinges

Five Knuckle Heavy Weight Series

McKinney
ASSA ABLOY

T4A3381

Stainless steel base material polished and passivated or Bronze base material polished and plated or furnished in powder coat.

T4A3781

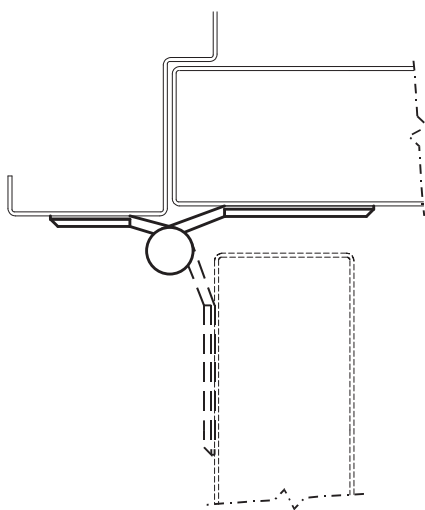
Steel base material polished and plated or furnished in powder coat.

Available Options

- T4B (ball bearing)
- TCA (concealed bearing)
- HT (hospital tip)



APPLICATION



Available Sizes

| Inches | MM | Gauge |
|--------|-------|-------|
| 4½ | 114.3 | .134 |
| 5 | 127.0 | .146 |
| 6* | 152.4 | .203 |

* Not available in Stainless Steel

The narrow leaf is applied to the surface of the jamb with machine (½x12-24)* screws and the door leaf is applied to the surface of the door with wood screws or grommet nuts and bolts (2x¼-20). Specify door thickness if greater than 1¾".

* (½x¼-20 provided on 6")

ANSI Cross Reference

A2311 Bronze
 A5311 Stainless
 A8311 Steel

Recommended for use on high frequency and/or heavy weight wood or Kalamein doors in schools, hospitals or other public buildings where medium traffic prevails. The hinges may be used on channel iron frames.

McKINNEY Hinge Catalog

Full Surface Bearing Hinges

Three Knuckle Standard Weight Series

McKinney®
ASSA ABLOY

TA371

Stainless steel base material polished and passivated or Bronze base material polished and plated or furnished in powder coat.

TA771

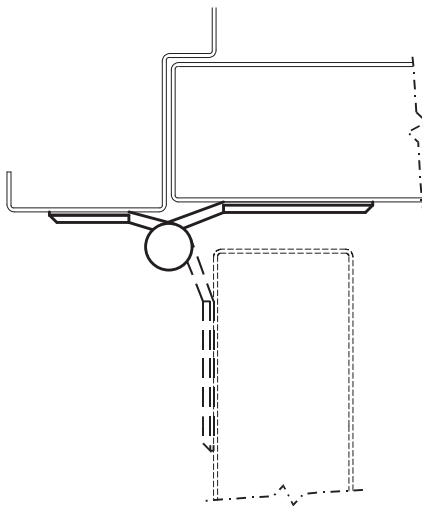
Steel base material polished and plated or furnished in powder coat.

Available Options

- HT (hospital tip)



APPLICATION



Available Sizes

| Inches | MM | Gauge |
|--------|-------|-------|
| 4½ | 114.3 | .134 |
| 5 | 127.0 | .146 |

The narrow leaf is applied to the surface of the jamb with machine (½x12-24) screws and the door leaf is applied to the surface of the door with wood screws or grommet nuts and bolts (2x¼-20). Specify door thickness if greater than 1¾".

ANSI Cross Reference

A8312 Steel

Recommended for use on standard weight and/or medium frequency doors in schools, hospitals or other public buildings where medium traffic prevails. The hinges may be used on channel iron frames.

McKINNEY Hinge Catalog

Full Surface Bearing Hinges

Five Knuckle Standard Weight Series

McKinney[®]

ASSA ABLOY

TA2371

Stainless steel base material polished and passivated or Bronze base material polished and plated or furnished in powder coat.

TA2771

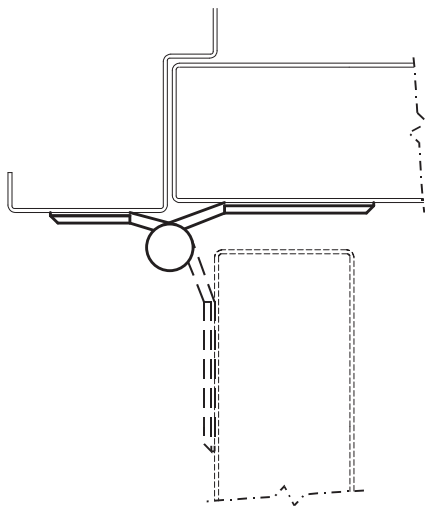
Steel base material polished and plated or furnished in powder coat.

Available Options

- TB (ball bearing)
- TCA (concealed bearing)
- HT (hospital tip)



APPLICATION



Available Sizes

| Inches | MM | Gauge |
|--------|-------|-------|
| 4½ | 114.3 | .134 |
| 5 | 127.0 | .146 |

The narrow leaf is applied to the surface of the jamb with machine (½x12-24) screws and the door leaf is applied to the surface of the door with wood screws or grommet nuts and bolts (2x¼-20). Specify door thickness if greater than 1¾".

ANSI Cross Reference

A8312 Steel

On standard weight and/or medium frequency doors in schools, hospitals or other public buildings where medium traffic prevails. The hinges may be used on channel iron frames.

McKINNEY Hinge Catalog
Full Surface Swing Clear Bearing Hinges
Three Knuckle Heavy Weight Series

McKinney®
ASSA ABLOY

TA797

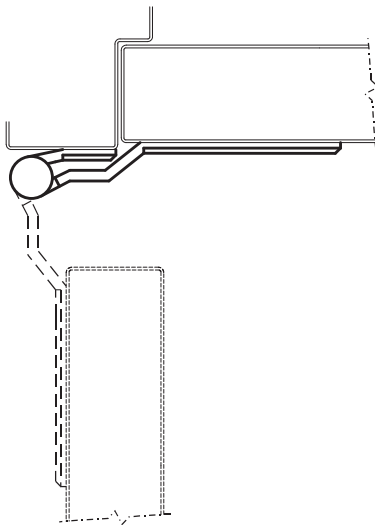
Steel base material polished and plated or furnished in powder coat.

Available Options

- HT (hospital tip)



APPLICATION



Available Sizes

| Inches | MM | Gauge |
|--------|-------|-------|
| 5 | 127.0 | .190 |

The narrow leaf is applied to the surface of the jamb with machine (1/2x1/4-20) screws and the door leaf is applied to the surface of the door with wood screws (1x1/4-14) or grommet nuts and bolts (2x1/4-20). Specify door thickness if greater than 1 3/4".

ANSI Cross Reference

A8321 Steel

High frequency and/or heavy weight wood or Kalamein doors in hospitals or other institutions where heavy traffic prevails. This hinge allows for the maximum clearance for passage of beds, tables and other equipment through the doorway.

McKINNEY Hinge Catalog
Full Surface Swing Clear Bearing Hinges
Five Knuckle Heavy Weight Series

McKinney®
ASSA ABLOY

T4A3797

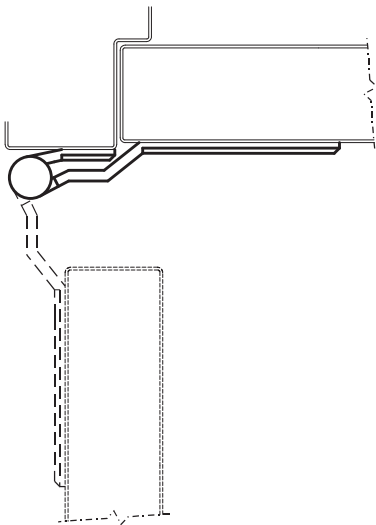
Steel base material polished and plated or furnished in powder coat.

Available Options

- T4B (ball bearing)
- HT (hospital tip)



APPLICATION



Available Sizes

| Inches | MM | Gauge |
|--------|-------|-------|
| 5 | 127.0 | .190 |

The narrow leaf is applied to the surface of the jamb with machine (1/2x1/4-20) screws and the door leaf is applied to the surface of the door with wood screws (1x1/4-14) or grommet nuts and bolts (2x1/4-20). Specify door thickness if greater than 1 3/4".

ANSI Cross Reference

A8321 Steel

Frequency and/or heavy weight wood or Kalamein doors in hospitals or other institutions where heavy traffic prevails. This hinge allows for the maximum clearance for passage of beds, tables and other equipment through the doorway.

McKINNEY Hinge Catalog

Full Mortise Single Acting Standard Weight Spring Hinge

McKinney®

ASSA ABLOY

1502

Steel base material polished and plated or furnished in powder coat.

1552

Stainless steel material polished and passivated.



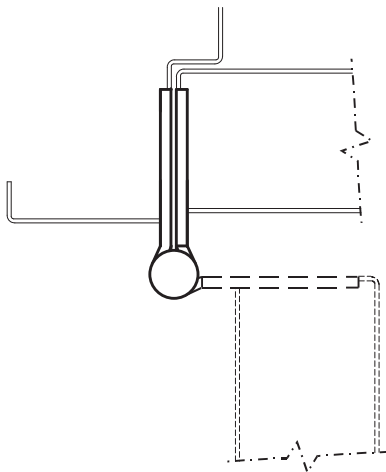
Available Options

- RC (round corner - 1/4" radius furnished unless specified otherwise)
- HT (hospital tip - on one side only*)
- Reverse Spring Option 1502-R* (Maintains the door in the open position)
- TRS (tamper resistant option) for additional security. A tamper resistant screw is screwed into the tension ratchet after the proper tension has been set.

* Voids the UL® listing



APPLICATION



Recommended for standard weight, medium frequency doors in place of door closers in apartments, hotels, motels, office buildings, etc.

Caution: Use of gasket for smoke or sound protection, wind condition of unbalanced air pressure may prevent door from latching. Additional closing power would be required. NFPA requires a minimum of two (2) spring hinges on labeled doors.

Available Sizes

| Inches | MM | Gauge |
|---------|---------------|-------|
| 4 x 4* | 101.6 x 101.6 | .130 |
| 4½ x 4 | 114.3 x 101.6 | .134 |
| 4½ x 4½ | 114.3 x 114.3 | .134 |

Full Mortise Hinge Fasteners

| Hinge Size | Machine | Wood |
|------------|-----------|---------|
| 4 x 4 | ½ x 12-24 | 1¼ x 12 |
| 4½ x 4 | ½ x 12-24 | 1¼ x 12 |
| 4½ x 4½ | ½ x 12-24 | 1¼ x 12 |

Packing:

All 1502 and 1552 series standard weight single acting spring hinges are packed with all machine and all wood screws. For special screws consult price book on availability. This non-handed hinge series has infinite adjustment and tension can be added or reduced by means of a hex key which is provided. Locking screw provides tamper-resistance after the proper tension has been set. For unparalleled tamper resistance and security choose our TRS option. Two nylon tee bearings for vertical and lateral loads. Coil spring provides closing power.

ANSI Cross Reference

K81071 Steel
 K81071F Steel
 K51071 Stainless Steel
 K51071F Stainless Steel

McKINNEY Hinge Catalog

Full Mortise Single Acting Standard Weight Spring Hinge Set

McKinney®
ASSA ABLOY

1522

Steel base material polished and plated or furnished in prime or powder coat finish.



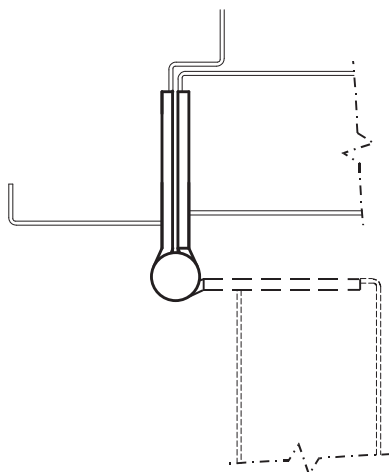
Available Options

- RC (round corner - 1/4" radius furnished unless specified otherwise)
- HT (hospital tip - on one side only*)
- MM (magnetic monitoring)

* Voids the UL® listing



APPLICATION



Available Sizes

| Inches | MM | Gauge |
|---------|---------------|-------|
| 4 x 4 | 101.6 x 101.6 | .130 |
| 4½ x 4 | 114.3 x 101.6 | .134 |
| 4½ x 4½ | 114.3 x 114.3 | .134 |

Full Mortise Hinge Fasteners

| Hinge Size | Machine | Wood |
|------------|-----------|---------|
| 4 x 4 | ½ x 12-24 | 1¼ x 12 |
| 4½ x 4 | ½ x 12-24 | 1¼ x 12 |
| 4½ x 4½ | ½ x 12-24 | 1¼ x 12 |

Packing:

All 1522 sets of standard weight single acting spring hinges are furnished with two 1502 and one 1500 (spring-less) hinge with all machine and all wood screws. For special screws consult price book on availability. This non-handed hinge series has infinite adjustment and tension can be added or reduced by means of a hex key which is provided. Locking screw provides unparalleled tamper-resistance after the proper tension has been set. Two nylon tee bearings for vertical and lateral loads. Coil spring provides closing power. The two spring hinges should be located as the top and center hinge. The "dummy" or spring-less hinge should be located as the bottom hinge.

ANSI Cross Reference

K81071 Steel
K81071F Steel

Recommended for standard weight, medium frequency doors in place of door closers in apartments, hotels, motels, office buildings, etc.

Caution: Use of gasket for smoke or sound protection, wind condition of unbalanced air pressure may prevent door from latching. Additional closing power would be required. NFPA requires a minimum of two (2) spring hinges on labeled doors.

McKINNEY Hinge Catalog

Half Surface Single Acting Standard Weight Spring Hinge

McKinney
ASSA ABLOY

1572

Steel base material polished and plated or furnished in powder coat finish.



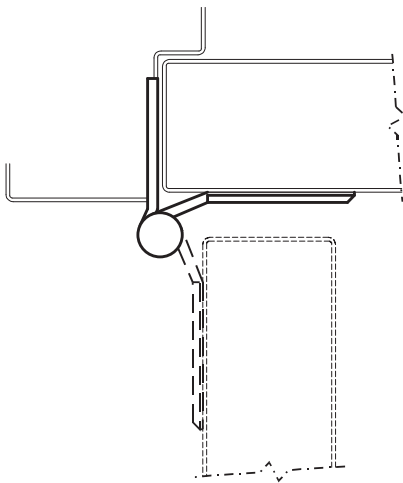
Available Options

- RC (round corner - 1/4" radius furnished unless specified otherwise)
- HT (hospital tip - on one side only*)
- MM (magnetic monitoring)

* Voids the UL® listing



APPLICATION



Available Sizes

| Inches | MM | Gauge |
|---------|---------------|-------|
| 4½ x 4½ | 114.3 x 114.3 | .134 |

Half Mortise Hinge Fasteners

| Hinge Size | Machine |
|------------|-----------|
| 4½ | ½ x 12-24 |

Packing:

All 1572 Series Standard Weight Single Acting Spring Hinges are packed with all machine and all wood screws. For special screws consult price book on availability. This non-handed hinge series has infinite adjustment and tension can be added or reduced by means of a hex key which is provided. Locking screw provides unparalleled tamper-resistance after the proper tension has been set. Two nylon tee bearings for vertical and lateral loads. Coil spring provides closing power.

Recommended for standard weight, medium frequency doors in place of door closers in apartments, hotels, motels, office buildings, etc.

Caution: Use of gasket for smoke or sound protection, wind condition of unbalanced air pressure may prevent door from latching. Additional closing power would be required. NFPA requires a minimum of two (2) spring hinges on labeled doors.

ANSI Cross Reference

K81081 Steel
K81081F Steel

CS1

Cast malleable iron furnished in PC (Prime Powder Coat) or AP or D4 finish.

The application is simplified and more secure by fastening the jamb flange directly to the jamb without a hanging strip. The door flange is mortised into the door. If desired the jamb flange may be applied to the surface of the jamb with a mortise in the door sufficient to receive the thickness of both flanges. This application eliminates a filler strip and is used frequently on channel iron frames. This hinge is packed with hexagonal head bolts and nuts for the clamp flange and machine screws for the jamb flange.



Features:

- Due to its heavy construction, the CS1 is useful in preventing door oscillations in extreme and variable draft conditions
- Heavy cast malleable iron with two axis's which permit the door to open 180°
- Hinge pins are securely held in place by a set screw
- Spring is protected from damage inside the all cast malleable construction
- Door and frame should be prepped using the installation instructions provided with the unit

| Specification Schedule | | |
|---------------------------|---------|---------|
| Maximum Door Thickness | 1¾" | 1¾" |
| # of Hinges for Each Door | 2 | 3 |
| Maximum Door Width | 3'0" | 4'0" |
| Door Height* | 8 to 9' | 8 to 9' |
| Maximum Door Weight | 265 | 320 |

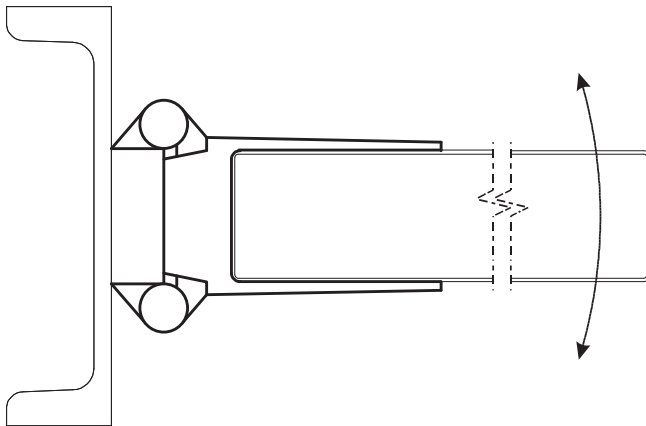
These hinges are not intended for pedestrian traffic. They are for use on trucking doors

* Minimum height for weights shown. Hinge capacity decreases as door height decreases.

When estimating the weight of doors, be sure to include (with the exception of hinges) all hardware, metal plates and buffers. For hollow metal doors or wood doors over 3' wide with heavy metal plates, we recommend three hinges for each door to avoid possible sagging. The third hinge should be placed near the top hinge but allow space for pin removal. The use of Hi-Duty Spring Steel Buffers will in most installations protect the door without use of heavy metal plates. This will reduce the weight of the door and load on the hinges. Spring Steel Buffers illustrated on next page.

For replacement spring, order H15 Spring.

APPLICATION



Recommended for use on high frequency and/or heavy wood or metal trucking doors in post offices, warehouses or other buildings where heavy traffic is experienced.

ANSI Cross Reference

K61091 Cast Iron

McKINNEY Hinge Catalog
Full Mortise Single Acting
Adjustable Spring Hinge

McKinney
ASSA ABLOY



MPS60

Steel base material polished and plated or furnished in prime coat.

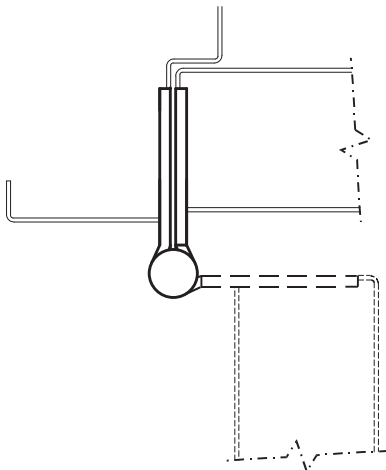


Available Options:

- P (powder prime), and US26D
- MPS679 - Set of Two MPS60 spring hinges and one MPB79 full mortise butt hinge



APPLICATION



Available Sizes

| Inches | MM | Gauge |
|---------|---------------|-------|
| 4½ x 4½ | 114.3 x 114.3 | .134 |

Swing Clear Full Mortise Hinge Fasteners

| Hinge Size | Machine | Wood |
|------------|-----------|---------|
| 4½ x 4½ | ½ x 12-24 | 1¼ x 12 |

Packing:

Packed 3 each per box, 48 per carton.
All machine x all wood screws.

ANSI Cross Reference:

A8112 Steel
A8133 Steel

Recommended for standard weight hinge applications requiring self-closing control, such as apartments, hotels, motels, dormitories, office buildings, etc.

MacPro by McKINNEY templated hinges are made to conform to ANSI/BHMA 156.1, 156.7, 156.17

McKINNEY Hinge Catalog
Heavy Duty Adjustable Tension Simplex
Full Surface Double Acting Door Spring

McKinney®
ASSA ABLOY

450 SERIES



Features:

- Coil springs made of high grade steel wire
- Adjustable tension, no special tools required
- Wrought steel brackets prevent breakage
- Economical
- Simplified method of closing doors

Dimensions

| | | | |
|----------------|-----|-----|-----|
| Number | 451 | 452 | 453 |
| Overall Length | 9" | 11" | 13" |
| Spring Length | 5" | 7" | 9" |

Packing:

All 450 Series are finished in 1D (black) and are packed with 1x12 wood screws. This economical series is designed to be surface applied to the door and frame.

ANSI Cross Reference

K87441 Steel

McKINNEY Hinge Catalog

Simplex Full Mortise Double Acting Spring Butt-Hinge

McKinney
ASSA ABLOY

1001

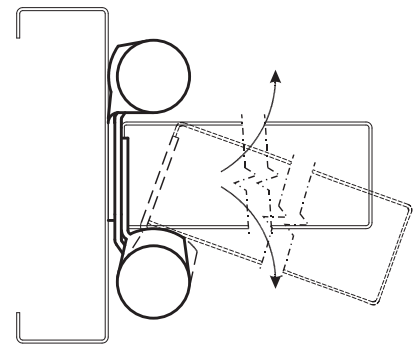
Steel base material polished and plated or furnished in prime coat finish.



Features:

- For wood doors not weighted with plate glass or heavy hardware
- Door flange mortised in door
- Jamb Flange Surface applied to the frame face
- Non-templated (sizes 3", 4", 5", 6")
- Springs are made of high grade tempered steel
- Non-handed

APPLICATION



Maximum Door Sizes and Weights

| Catalog Number | 2 Hinges Per Door | | 3 Hinges Per Door | | Door Height* |
|----------------|-------------------|------------|-------------------|------------|--------------|
| | Door Weight Lbs. | Door Width | Door Weight Lbs. | Door Width | |
| 1001 3" | 35 | 2'0" | 40 | 2'8" | 5'0" |
| 1001 4" | 60 | 2'4" | 75 | 3'0" | 6'8" |
| 1001 5" | 65 | 2'8" | 93 | 3'0" | 6'8" |
| 1001 6" | 75 | 2'8" | 107 | 3'0" | 7'0" |

* Minimum height for weights shown. Hinge capacity decreases as door height decreases. Refer to 6x4-1/2 1001 for 1-3/4" thick stock hollow metal doors.

Approximate Dimensions in Inches

| | 3" | 4" | 5" | 6" |
|---|----------------|----------------|------------------|------------------|
| A Length of Door Flange (size of hinge) | 3 | 4 | 5 | 6 |
| B Minimum Thickness of Door | 3/4 | 7/8 | 1 1/8 | 1 1/4 |
| C Maximum Thickness of Door with Chamfering | 1 | 1 1/4 | 1 1/2 | 1 3/4 |
| D Maximum Thickness of Door without Chamfering for Metal Doors | 7/8 | 1 1/8 | 1 3/8 | 1 3/4 |
| Door Specifications | | | | |
| Minimum | 3/4" x 2'2" to | 7/8" x 2'2" to | 1 1/8" x 2'4" to | 1 1/4" x 2'6" to |
| Maximum | 1" x 2'0" | 1 1/4" x 2'0" | 1 1/2" x 2'2" | 1 3/4" x 2'4" |

It is recommended that three hinges be used on door sizes as indicated above. The center hinge should be installed as close as possible to the top hinge for maximum support.

Packing:

All 1001 Series Double Acting Spring Hinges are packed all wood screws. This hinge is designed to be applied directly to the jamb without the use of a hanging strip. Door flange requires a shallow mortise.

ANSI Cross Reference

K81041 Steel

McKINNEY Hinge Catalog

Simplex Full Mortise Double Acting Spring Butt-Hinge

McKinney®
ASSA ABLOY

1001 6 X 4½

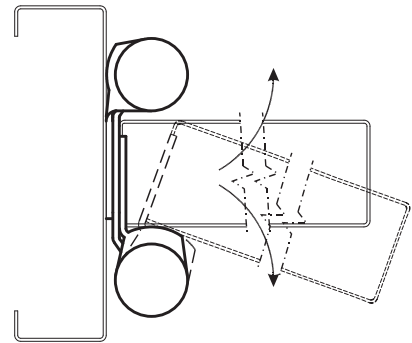
Steel base material polished and plated or furnished in prime coat finish.



Features:

- For stock hollow metal or wood doors that are 1¾" thick
- Door flange designed to fit standard 4½x4½" template mortise
- Jamb Flange Surface applied to the frame face
- Springs are made of high grade tempered steel
- Non-handed

APPLICATION



Specification Schedule for Door 7' High or More

| Door Width | Max Door Weight* | | Lockside Clearance* | |
|------------|------------------|--------|---------------------|------------|
| | 2 Each | 3 Each | Flat Edge | Round Edge |
| 2'0" | 96 | 145 | ¼" | ⅓" |
| 2'2" | 89 | 135 | ⅓" | ⅓" |
| 2'6" | 77 | 125 | ⅓" | ⅓" |
| 2'8" | 72 | 115 | ⅓" | ⅓" |
| 3'0" | 64 | 105 | ⅓" | ⅓" |

Packing:

All 6x4½" 1001 Series Double Acting Spring Hinges are packed all machine x ½ wood screws. This hinge is designed to be applied directly to the jamb without the use of a hanging strip. Door flange requires a shallow mortise.

ANSI Cross Reference

K81151 Steel

It is recommended that three hinges be used on door sizes as indicated above. These listed weights include a margin of safety. Minimum clearance required on edge of door and frame on lock side. Hinge side clearance, allow ¼" per door because of jamb flange and hinge body not being mortised. The center hinge should be installed as close as possible to the top hinge for maximum support. Hinge capacity decreases as door height decreases.

*Minimum height for weights shown. Hinge capacity decreases as door height decreases.

McKINNEY Hinge Catalog

Simplex Full Mortise Double Acting Spring Butt-Hinge

McKinney®
ASSA ABLOY

9001

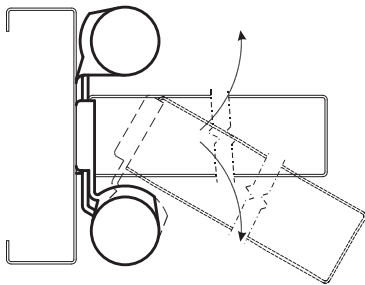
Steel base material polished and plated or furnished in prime coat finish.



Features:

- For wood or metal doors of heavy construction.
Note: For stock hollow metal doors, use 6x4½ 1001
- Jamb Flange Surface applied to the frame face
- Springs are made of high grade tempered steel
- Non-handed

APPLICATION



Specifications for 8" 9001

| Door Weight | Door Width | # Hinges/Door |
|---|------------|---------------|
| 103 | 3'6" | 2 |
| 143 | 4'0" | 3 |
| 1½" to 2" Door Thickness 7'0" Door Height* | | |

* Minimum height for weights shown. Hinge capacity decreases as door height decreases.

Packing:

All 9001 Series Double Acting Spring Hinges are packed all machine x ½ wood screws. For special screws consult price book on availability. This hinge is designed to be applied directly to the jamb without the use of a hanging strip. Door flange requires a deeper mortise than a 1001.

ANSI Cross Reference

K81041 Steel

It is recommended that three hinges be used on door sizes as indicated above. The center hinge should be installed as close as possible to the top hinge for maximum support.

McKINNEY Hinge Catalog

Simplex Double Acting Clamp Flange Spring Butt-Hinge

McKinney
ASSA ABLOY

19001

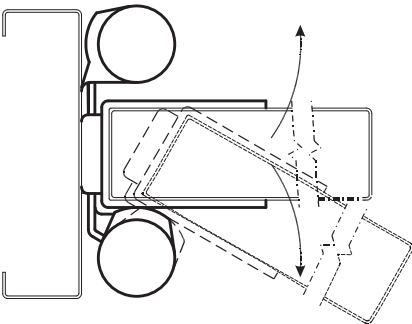
Steel base material polished and plated or furnished in prime coat finish.



Features:

- Designed for use on trucking doorways
- Springs are made of high grade tempered steel
- Channels are spot welded and riveted to flange for additional strength

APPLICATION



Specifications for 8" 19001

| Door Weight | Door Width | # Hinges/Door |
|---|------------|---------------|
| 100 | 3'6" | 2 |
| 140 | 4'0" | 3 |
| Minimum 3½" Door Style Width 7'0" Door Height* | | |

* Minimum height for weights shown. Hinge capacity decreases as door height decreases.

Packing:

All 19001 Series Double Acting Spring Hinges are packed with Hex Head through bolts, nuts and all wood screws. The clamp flange is attached to the door surface with through bolts for greater security of fastenings.

ANSI Cross Reference

K81111 Steel

If doors are extra heavy, we recommend three hinges per door. The third hinge should be installed as close as possible to the top hinge as conditions will permit for maximum support. For doors subjected to severe shock, we recommend the CS1 Spring Hinge.

McKINNEY Hinge Catalog

Simplex Half Surface Double Acting Spring Butt-Hinge

McKinney
ASSA ABLOY

HS1001

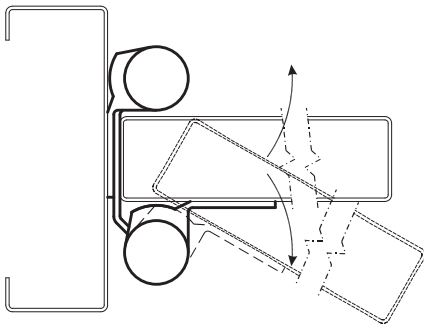
Steel base material polished and plated or furnished in prime coat finish.



Features:

- For thin plywood doors or gates where screws will not hold in edge of door
- Does not require a hanging strip
- Non-Templated (sizes 3", 4")
- Springs are made of high grade tempered steel
- Non-handed

APPLICATION



Specifications for 3" HS1001

| Door Weight | Door Width | # Hinges/Door |
|--|------------|---------------|
| 35 | 2'0" | 2 |
| 38 | 2'8" | 3 |
| 3/4" to 1" Door Thickness 5'0" Door Height* | | |

* Minimum height for weights shown. Hinge capacity decreases as door height decreases.

Specifications for 4" HS1001

| Door Weight | Door Width | # Hinges/Door |
|--|------------|---------------|
| 60 | 2'8" | 2 |
| 75 | 3'0" | 3 |
| 7/8" to 1 1/4" Door Thickness 6'8" Door Height* | | |

* Minimum height for weights shown. Hinge capacity decreases as door height decreases.

Packing:

All Half Surface 1001 Series Double Acting Spring Hinges are packed with all wood screws. This hinge is designed for one flange to be applied to the surface of door and other to the surface of jamb.

ANSI Cross Reference

K81131 Steel

It is recommended that three hinges be used on door sizes as indicated above. The center hinge should be installed as close as possible to the top hinge for maximum support.

McKINNEY Hinge Catalog

Ajax Double Acting Horizontal Spring Pivot Hinge

McKinney
ASSA ABLOY

3001-STEEL / J3001-STEEL

Furnished painted or in finely plated finish.

This hinge is equipped with a 90° hold open feature, hardened steel roller bearings and slotted screws that hold in the floor plate to permit easy alignment. It also has adjustable tension and nylon top pivot and socket.

Application of attaching plate and hinge to the bottom of door is very simple and requires only a rectangular mortise cut.



Features:

- For use on hollow metal or wood doors in residences, restaurants and other public places
- Anti Friction Bearing
- Adjustable spring tension
- Non Handed
- Optional jamb attaching plate for concrete or tile floor (to order, prefix "J" to number)

Specifications for 3001

| | |
|----------------|--|
| Door Thickness | 1 $\frac{1}{8}$ " to 1 $\frac{3}{4}$ " |
| Door Weight | 90 |
| Door Width | 3'0" |

McKINNEY Hinge Catalog

Sagless Double Acting Gate Spring Pivot Hinge

McKinney
ASSA ABLOY

4007RB-MALLEABLE IRON



Furnished painted or in finely plated finish.

Has an exterior tension adjustment which can be adjusted after hinge is applied. Anti-friction bearing to carry the weight of the gate and an anti-friction bearing in the top socket which reduces friction and wear. The pintle has an adjustment in the bottom

4007MRB-MALLEABLE IRON



attachment with a locking device which permits aligning the gate or setting the gate in desired position. Spring is large enough for heavy duty conditions but the adjustable tension makes it equally suited for light gates.

The 4007 RB Series attachments are applied to the surface of the frame and the box is applied to the bottom

Features:

- For use on wood and metal gates
- Exterior tension adjustment
- Anti-friction bearings
- Pintle adjustment with locking device

surface of the gate. However, in the 4007MRB Series, the box is mortised into the bottom of the gate.

Specify MRB for mortised box and reversed brackets; specify RB for reverse brackets only.

Before ordering, please note clearances in chart.

Clearances

| Catalog # | 4007MRB | 4007RB |
|------------------------------|-------------------------------------|-------------------------------------|
| Minimum Clearance Under Gate | 2 $\frac{3}{8}$ " | 4" |
| Gate or Handrail Thickness | 1 $\frac{1}{8}$ "-2 $\frac{1}{2}$ " | 1 $\frac{1}{8}$ "-2 $\frac{1}{2}$ " |
| Weight of Gate | 75 | 75 |
| Width of Gate | 3'0" | 3'0" |
| Width of Jamb Attachment | 1 $\frac{1}{4}$ " | 1 $\frac{1}{4}$ " |

* Minimum height for weights shown. Hinge capacity decreases as door height decreases.

McKINNEY Hinge Catalog

Lightweight Double Acting Gravity Pivot Hinge

McKinney
ASSA ABLOY

8007-STEEL / H8007-STEEL

Furnished painted or in finely plated finish.

The 8007 features a unique ball bearing pivot riding on a hardened steel cam providing frictionless long lasting service. The H8007 is similar to the 8007 except that it has a 90° hold open feature in either direction.

Attachments are surface applied to the jamb and the top socket may be surface applied or mortised into the top of the door. The box may be surface applied or mortised into the bottom of the door.



Features:

- For use on double acting wood Louvre doors 3/4" to 1 3/4" thick which do not exceed 18" in width, 5' in height or 40lbs in weight

Specifications for 8007/H8007

| | |
|----------------|----------------|
| Door Thickness | 3/4" to 1 3/4" |
| Door Weight | 40 |
| Door Width | 1'6" |
| Door Height* | 5'0" |

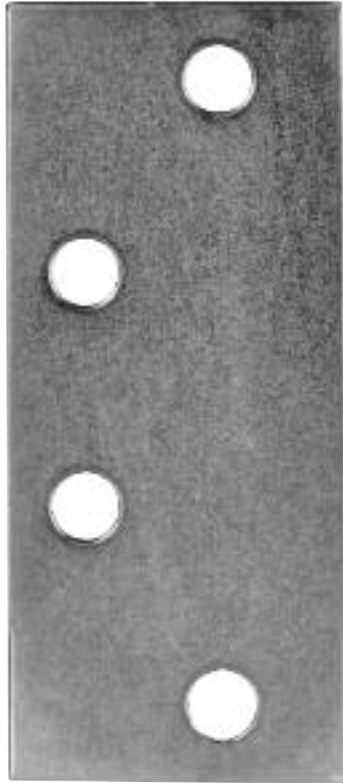
* Maximum height for weights shown. Hinge capacity decreases as gate height decreases.

McKINNEY Hinge Catalog Hinge Back Plate

McKinney
ASSA ABLOY

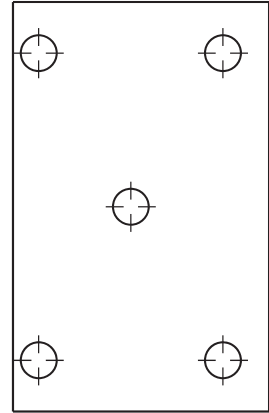
BP-10 for T2772 / TA2772 / T4A3782

Furnished painted or in finely plated finish.



Above shown with 4-hole pattern for 5" BP-10
3-hole pattern provided for 4½" BP-10
5-hole staggered pattern provided for 6" BP-10

BP-11 for T4A3796



BP-12 for 1572



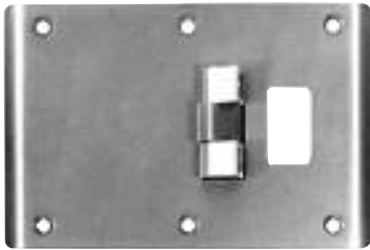
McKINNEY Hinge Catalog Combination Strike and Stop

McKinney
ASSA ABLOY

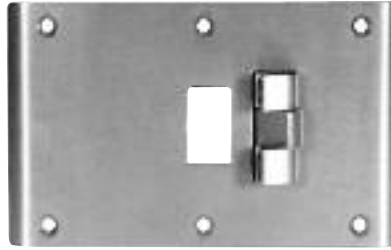
CSS-9

.095 gauge brass material polished and plated. Manufactured for use with cylindrical or bored locks.

OFFSET HUNG



CENTER HUNG

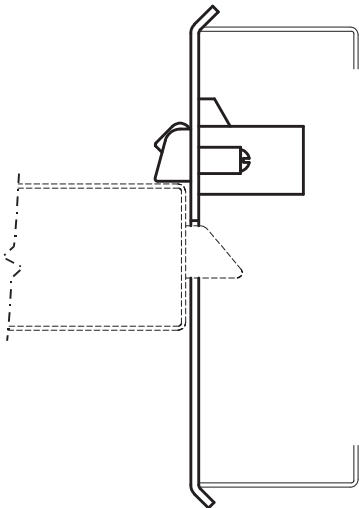


Features:

- Available in offset or center hung latch bolt location for frame sizes $5\frac{3}{4}$ ", $5\frac{7}{8}$ " and $6\frac{3}{4}$ "
- For use on $1\frac{3}{4}$ " thick doors
- Custom units available for frame sizes $3\frac{1}{2}$ " - $9\frac{1}{2}$ " - consult the factory for availability

Cannot be used with deadbolts. May not work with mortise locks.
Consult the factory for mortise lock application of CORBIN RUSSWIN,
SARGENT and YALE compatibility.

APPLICATION



Packing:

All Combination Strike and Stops are packed with $\frac{1}{2}$ x 8-32 machine screws.

Recommended for installations on hospital or nursing home toilet doors along with our EP5-J. This unit allows center hung or $\frac{1}{8}$ " inset doors to be opened in both directions without damaging the frame.

McKINNEY Hinge Catalog

Emergency Door Stop

McKinney
ASSA ABLOY

DS-6

Bronze material polished and plated, rubber bumper insert encased in high impact ABS plastic case.



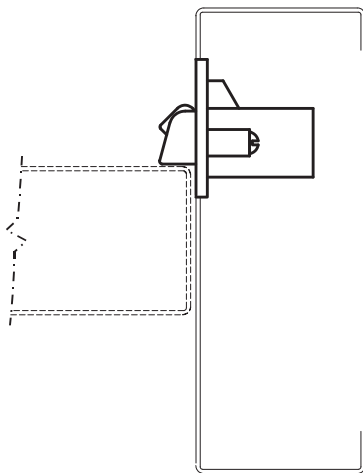
Features:

- Used to convert double acting doors hung on center pivots to single acting doors
- Emergency release allows door to swing open in the opposite direction
- Mortise only on frame
- Latch releases with a touch of the finger
- Second touch of lever returns latch to original position

Specifications for DS-6

| | |
|-----------------------|-----------|
| Size of Surface Plate | 4½" x 1⅝" |
| Bolt Length | 2" |
| Size of Case | 2⅛" x 1⅝" |

APPLICATION



Recommended for installation with our EP-5J pivot in schools, hospitals, institutions and other public buildings. This unit allows center hung or ⅛" inset doors to be opened in both directions without damaging the frame.

Packing:

All Stops are packed with ½ x 12-24 machine screws.

ANSI Cross Reference

A1882 Bronze

McKINNEY Hinge Catalog

Double Lipped Strike

McKinney
ASSA ABLOY

DLS-8

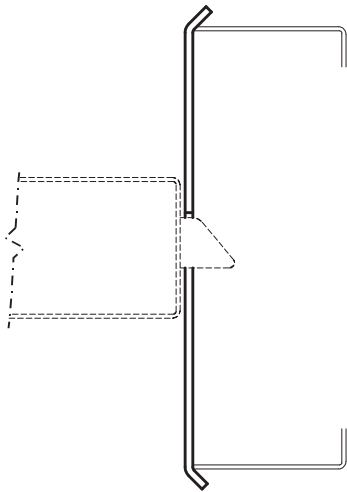
.095 gauge brass material polished and plated. Manufactured for use with cylindrical or bored locks.



Center Hung Shown

Cannot be used with deadbolts. May not work with mortise locks. Consult the factory for mortise lock application of CORBIN RUSSWIN, SARGENT and YALE compatability.

APPLICATION



Features:

- Available in offset or center hung
- Latch bolt location for frame sizes 5 $\frac{3}{4}$ " and 6 $\frac{3}{4}$ "
- For use on 1- $\frac{3}{4}$ " thick doors
- Custom units available for frame sizes 3 $\frac{1}{2}$ " - 9 $\frac{1}{2}$ " - consult the factory for availability

Packing:

All Double Lipped Strikes are packed with $\frac{1}{2}$ x 8-32 machine screws.

Recommended for installations on hospital or nursing home toilet doors along with our EP5-J and DS-6 Emergency Stop. This unit allows center hung or $\frac{1}{8}$ " inset doors to be opened in both directions without damaging the frame.

McKINNEY Hinge Catalog ElectroLynx Hinge (QC Option)

McKinney®
ASSA ABLOY

QC

The McKinney ElectroLynx Hinge is an intermediate connector which passes a constant flow of current between the source of power (jamb) and the actuated devices in the door (i.e. electric locks, exit devices, etc.) regardless of door position.

Each hinge features concealed plug connectors which eliminate the need for separate or exposed wiring. Brass eyelets add protection and durability to the ElectroLynx Hinge and common wire colors and standard connectors make installation quick and simple.

The ElectroLynx Hinge should be installed in the center position on the door. Once installed, it will give no outward indication of its function and will transmit power efficiently and reliably, as long as the wire capacity is not exceeded.

All ElectroLynx Electric Hinges are factory tested and specially packaged to minimize against damage during shipment. Installation instructions are packed with each hinge.

28 Gauge multi-strand wires are used. A 6" pigtail is provided for connection to the source wiring. The wire colors are coordinated to work with other ASSA ABLOY Companies electro-mechanical hardware.

An 8 position connector is used for QC2, QC4, QC6 and QC8 wire hinges. An 8 position and 4 position connector is used for QC12 wire hinges. A QC2A wire hinge is available for power on, power off applications.

Electrolynx pigtails are included with electrified aluminum continuous hinges as a standard.

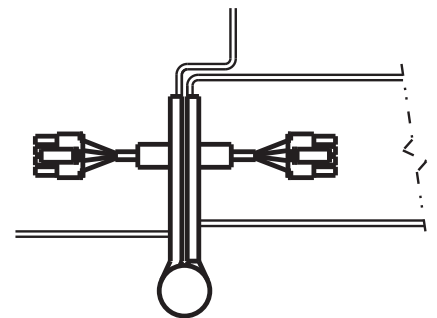
Features:

- Available up to 12 wires
- Rated 4 Amp Capacity
- Can be used with MM option on most 5-knuckle full mortise hinges*
- Optional MG-16 mortar guard available (mortar guard required on steel frames)
- QC2 wire hinges provided with 8 position connector for new construction , specify QC2

* Refer to individual catalog pages regarding the availability of these options



APPLICATION



**UNDERWRITERS
LABORATORY
LISTED**

McKINNEY Hinge Catalog Concealed Circuit Electric Hinge (CC Option)

CC

The McKINNEY Concealed Circuit Hinge is an intermediate connector which passes a constant flow of current between the source of power (jamb) and the actuated devices in the door (i.e. electric locks, exit devices, etc.) regardless of door position.

The color of the wires assists in maintaining proper circuit hookup between the power source and actuated devices during installation.

CC Electric Hinges should be installed in the center position on the door. Once installed, it will give no outward indication of its function and will transmit power efficiently and reliably, as long as the wire electrical capacity is not exceeded.

All CC Electric Hinges are factory tested and specially packaged to insure against damage during shipment. Installation instructions are packed with each hinge.

28 gauge multi-strand wire with 12" long leads is used. It is recommended that care be exercised during connection of the leads and installation of the hinge to avoid wire damage.

The CC feature is available on most two, three and five knuckle full mortise contract grade hinges. Consult the individual catalog pages for this option feature.



REAR VIEW

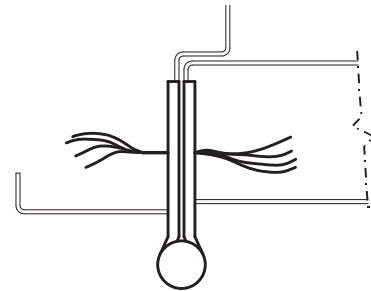
Features:

- Available with 2, 3 or 4 circuits
- 4 Amp, 24 Volts maximum each circuit continuous duty, 16.0 Amps intermittent duty (pulse) for 300 milliseconds
- Can be used in conjunction with MM option on most full mortise hinges
- Optional mortar guard MG-16 available
- Electric feature undetectable when hinge is installed

Wire Capacity

| | |
|---------|------------|
| 4 Wires | 2 Circuits |
| 6 Wires | 3 Circuits |
| 8 Wires | 4 Circuits |

APPLICATION



UNDERWRITERS
LABORATORY
LISTED

McKINNEY Hinge Catalog

Aluminum Continuous Electrified Hinge (SER & ACC Options)

McKinney
ASSA ABLOY

SER & ACC OPTIONS

The McKINNEY electrified continuous hinge is furnished with bonded, 4- conductor flat cable with connectors at each leaf. Each 4 or 8 conductor cable is able to carry 4 amps @ 24 volts with a 16 amp in-rush current for 300 milliseconds. To protect the cable from any overload or surge in power, each hinge is supplied with a 4 amp in-line fuse. And a wire harness is supplied with each hinge as a standard.*

Two options allow variable degrees of service to be performed at the specific location of the current carrying cables via either a removable 8" or a pivoting 8" section of the hinge. Both of these options, SER and ACC are available as QC4, 8 or 12 wire configurations on our Full Mortise Aluminum Continuous Hinges.

SERVICEABLE/REMOVABLE (SER)

The hinge is furnished to be installed in three sections, allowing the current carrying cables to be serviced or replaced without removing the door from the frame.

Additionally the SER option allows the current carrying cables to be safely stored or delivered to the electrician or security contractor prior to the installation of the electrified hardware, eliminating the necessity of the electrician or security contractor being present when the doors are being hung. Product Number Example: 83"MCK25HD CL x -SER-8*

**hinges are handed*

*Each 4 and 8 wire electrical prep is supplied with a 48" and 96" wire harness and an Elextrolynx connector. Each 12 wire hinge is supplied with a 15' cable for frame side. Additional wire harness or Electrolynx connector must be specified when ordering a 12 wire hinge.

Product Number Example: 83"MCK25HD CL x -SER

Concealed Magnetic Monitoring (CM) is also available with the SER and ACC options.

Product Numbering Example: MCK25HD-83C x CM-SER
MCK25HD-83C x CM-ACC

Flat cable connector is warranted for five years. Failure to install the 4 amp in-line fuse voids the warranty

ACCESSIBLE (ACC)

The hinge is furnished to be installed in a single section with leafs modified to pivot at the location of the current carrying cables and allow access to the cables and connected wiring. Electrical modification is in the center of the hinge.

Product Number Example:
83"MCK25HD CL x ACC-8*

**hinges are handed*

ACC is the same leaf components with a single piece (full length) gear cap... and is accessible/non-removable.

Features:

- Performance tested 1,250,000 cycles with the 4 conductor flat cable
- Each 4-conductor cable carries 4 amps @ 24 volts with a 16 amp inrush current for 300 milliseconds
- Each hinge is provided with a 4 amp in-line fuse to protect the cable from any overload or surge in power
- Flat cable conductor is warranted 5 years
- Available on Full Mortise Aluminum Continuous Hinges
- Electrical modification meets new SDI location at center of hinge



SER Option Shown

McKINNEY Hinge Catalog Magnetic Monitoring Hinge (MM Option)

MM

The McKINNEY Magnetic Monitoring Hinge is the only system on the market that permits field replacement of magnet and switch. It is a simple, dependable system which defies detection, yet is readily accessible for inspection and easy adjustment.

MM Electric Hinges should be installed in the center position on doors with three hinges or the second hinge position from the bottom on doors with four hinges. Neither switch nor operating magnet are attached to

the hinge. Non-attachment feature reduces the chance of damage during installation. Installation instructions packed with each hinge.

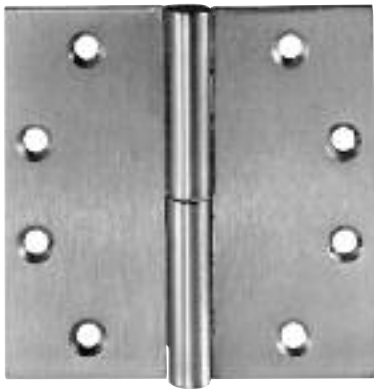
All MM Electric Hinges are individually factory pre-tested.

The MM feature is available on most two, three and five knuckle full mortise standard and heavy weight hinges, and our full mortise aluminum continuous hinges. Consult the individual catalog pages for this option feature.

Features:

- Switch is U.L. Listed at 6V - .25 amps; 12V - .25 amps; 24V - .125 amps; 48V - .062 amps
- For low voltage (48 volt maximum) .25 AMP AC or DC non-inductive load
- Monitoring feature undetectable when hinge is installed
- Magnetic reed concealed switch impervious to dirt and moisture
- 12" leads supplied as standard (extra lengths available)
- Narrow Stile (NS) Switch and Wide Gap Magnet options available
- Can be used in conjunction with QC option on most full mortise hinges up to QC12
- Can be used in conjunction with CC option on most full mortise hinges up to CC8 Wire

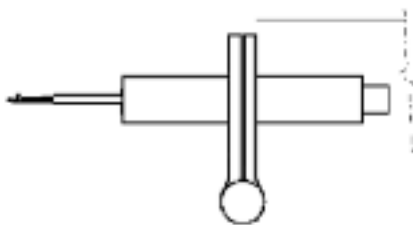
FRONT VIEW



REAR VIEW



APPLICATION



**UNDERWRITERS
LABORATORY
LISTED**

U.L. Listing

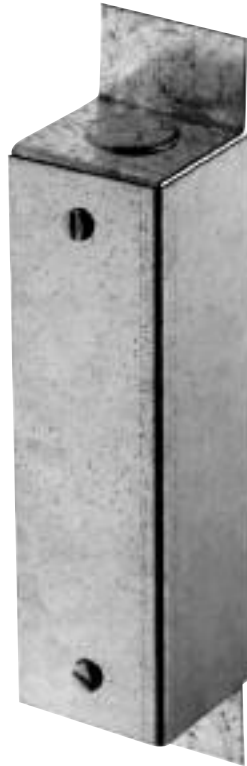
| | |
|------|-----------|
| 6 V | .25 Amps |
| 12 V | .25 Amps |
| 24 V | .125 Amps |
| 48 V | .062 Amps |

McKINNEY Hinge Catalog Junction Box for Electric Hinges

McKinney[®]
ASSA ABLOY

MG-16

20 gauge galvanized sheet steel, furnished in 2C finish.



Features:

- Knock-out holes on both ends for wires to pass through
- Removable cover plate from end brackets
- Guard supplied assembled for use with electric hinges
- Fits hinge reinforcements for 4½" or 5" contact grade hinges

Recommended for use with our Concealed Circuit and Concealed Switch Hinges to protect wires. Unit to be installed in middle hinge location.

McKINNEY Hinge Catalog Full Mortise Pocket Pivot Hinge

PH-4

Investment cast steel base material polished and plated or furnished in prime or powder coat finish.

The Full Mortise Pocket Pivot Hinge is designed to give a flush appearance to the corridor when the door is open and recessed into a pocket in the corridor wall.

For single and cross corridor doors, the PH-4 allows the door to lay against the wall with no projection into the opening and no gap between the door and frame.

When combined with a floor closer, this application has minimum visible hardware and clearances.

The PH-4 Full Mortise Pocket Pivot Hinge meets material and performance requirements of NFPA-80 and ANSI A-156-1



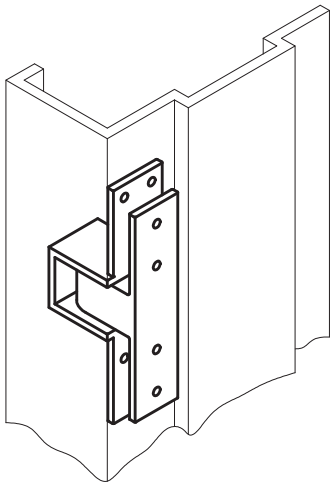
Features:

- Two thrust bearings for vertical loads
- Roller bearing for lateral support
- Listed for both hollow metal or steel covered composite fire doors rated up to 3 hours
- Listed for wood core type fire doors rated 20 minutes
- .187 Gauge
- Non-handed

Specifications

| # of Hinges Required Per Door | Maximum Door Size | Door Weight (lbs) |
|-------------------------------|-------------------|-------------------|
| 2 | 3'0" x 7'0" | 150 |
| 3 | 3'0" x 7'0" | 250 |
| 4 | 4'0" x 7'0" | 350 |

APPLICATION



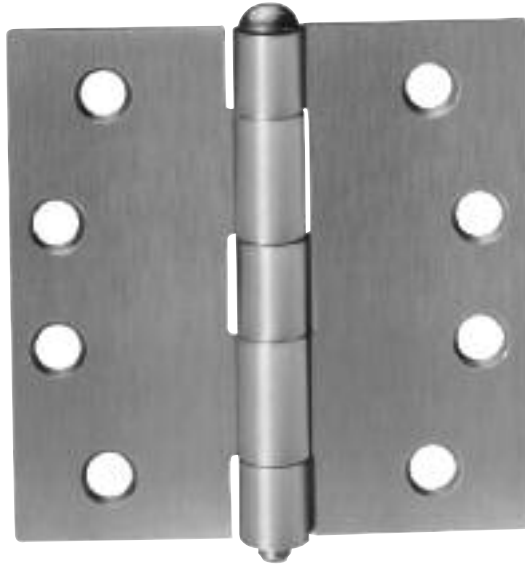
Meets or exceeds
ANSI A117.1 - 1986
*Providing Accessibility
and Usability for
Physically
Handicapped People*

Packing:

All Pocket Pivot Hinges are packed with all machine and all wood screws.

Recommended for applications where Swing Clear Hinges are aesthetically unacceptable and use of the full width of the corridor is required, such as cross corridor and smoke and fire doors as well as patient room doors.

703 STEEL



Features:

- For use on doorways of very low frequency and medium weight in industrial application
- Hinges are also available blank (without holes) for welding
- Available in plain steel with brass pins
- Full mortise on both doors and jambs
- Plain steel furnished less screws; zinc plated hinges furnished with all wood screws

Specifications

| Size (Inches) | Gauge | Size of Wood Screws |
|---------------|-------|---------------------|
| 3½ x 3½ | .123 | 7/8" x 9 |
| 4 x 4 | .130 | 1 x 12 |

Discontinued

McKINNEY Hinge Catalog

Full Mortise Five Knuckle Plain Bearing Light Weight Hinges

McKinney[®]
ASSA ABLOY

1400 / 1414 / 1458

Steel based material planished and plated or powder coated or bonderized and primed for paint.

1400 - Square Corner
1414 - 1/4" Radius
1458 - 5/8" - 5/8" Radius

Features:

- Full mortise on both doors and jambs
- Supplied with all wood screws as standard
- Machine screws available by special order



1/4" Radius Shown

3 1/2" x 3 1/2"



4 x 4 Staggered Hole
Pattern

Templated hole pattern is no longer available

| Available Sizes | | |
|-----------------|-----------------|-------|
| Inches | MM | Gauge |
| 3 1/2 x 3 1/2 | 88.90 x 88.90 | .099 |
| 4 x 4 | 101.60 x 101.60 | .099 |

| Residential Hinge Fasteners | |
|-----------------------------|-------------|
| Size of Hinge | Wood Screws |
| 3 1/2 x 3 1/2 | 3/4 x 9 |
| 4 x 4 | 1 x 9 |

Note: The plated finish on this non-contract grade hinge may not match that of an architectural grade hinge.

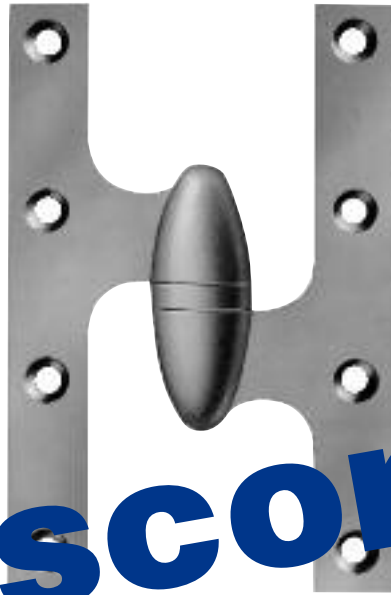
Recommended for use on light weight, low frequency doors hung in wood jambs in residential construction.

McKINNEY Hinge Catalog
 Olive Knuckle Full Mortise
 Standard Weight Bearing Hinge

McKinney
 ASSA ABLOY

TA3383

Brass casting polished and/or plated.



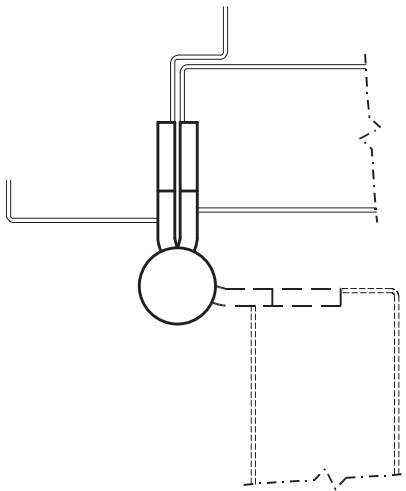
Features:

- Designed for unusual decorative effect since only olive knuckle is visible when door closed
- Permanently attached anti-friction bearing carries vertical load
- Non-removable stainless steel pin
- Full mortise on hollow metal or wood doors and frames
- Handed hinge

| Size | |
|--------|-------|
| Inches | G |
| 1 1/2 | 12-24 |
| 2-40 | |

Discontinued

APPLICATION



Recommended for use where doors are of average weight and average frequency, such as fine residential and commercial buildings such as offices, restaurants, hotels/motels or other public buildings where an architecturally pleasing appearance is desired.

Packing:

All TA3383 Olive Knuckle Hinges are packed with all machine (1/2" x 12-24) and all wood screws (1 1/4" x 12).

McKINNEY Hinge Catalog

Raised Barrel Full Mortise

Standard and Heavy Weight Hinges

McKinney
ASSA ABLOY

RB-TA2714 / RB-TA2314

Standard weight hinges for square edge doors supplied with no hole in bottom plug, side-view McKINNEY stencil and NRP feature are reversible for handing. Specify RB-TA4714 / RB-TA4314 for doors beveled on hinge side.

RB-T4A3786 / RB-T4A3386

Heavy weight hinges for square edge doors. Specify RB-T4A4786 or RB-T4A4386 for doors beveled on hinge side.

Features:

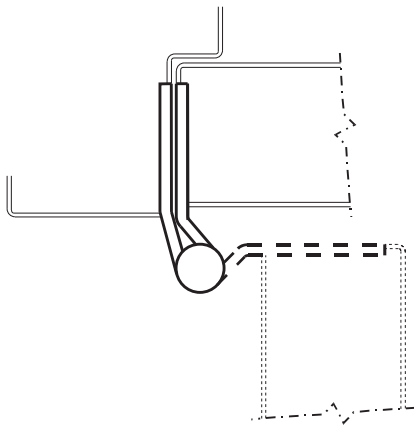
- Door leaf mortised into door
- Frame leaf may be mortised or surface applied
- Full mortise on hollow metal or wood doors and frames
- Reversible hinge



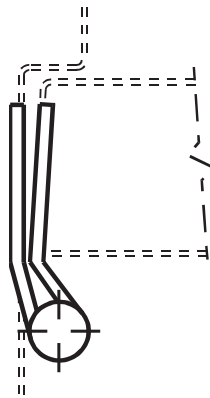
Specification Schedule

| | Standard Wt | Heavy Wt |
|---------------|-----------------|-----------------|
| Size (Inches) | 4½" x 4½" | 4½" x 4½" |
| Size (MM) | 114.30 x 114.30 | 114.30 x 114.30 |
| Gauge | .134 | .180 |

SQUARE EDGE



BEVELED EDGE



Packing:

All Raised Barrel Hinges are packed with all machine x ½ wood screws.

Standard weight recommended for use on average frequency and/or medium weight wood or metal doors in schools, hospitals or other public buildings where medium traffic is experienced.

Heavy weight recommended for use on high frequency and/or heavy wood or metal doors in schools, hospitals or other public buildings where heavy traffic is experienced.

McKINNEY Hinge Catalog

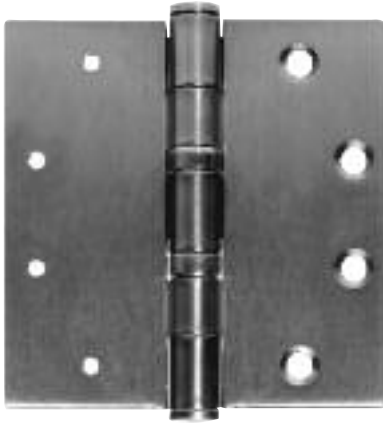
Slip-In Full Mortise Type I and Type II

Standard Weight Bearing Hinges

McKinney
ASSA ABLOY

TYPE I TA-TB2314 / TA-TB2714

TA-TB2314 Slip-In Brass, Bronze or Stainless Steel. TA-TB2714 Slip-In Steel.



One leaf has standard punching and countersinking and the other leaf is drilled and tapped so it can be inserted through a slot in the door frame. Both leaves are specially swaged to provide $\frac{3}{16}$ " clearance when parallel.

TYPE II TA-TB2314 / TA-TB2714



Both leaves are drilled and tapped so they can be inserted through a slot in the door and frame. Both leaves are specially swaged to provide $\frac{5}{16}$ " clearance between the leaves when parallel.

Features:

- Non-removable stainless steel pin
- Handed hinge
- Both leaves specially swaged to provide $\frac{5}{16}$ " clearance when leaves are parallel

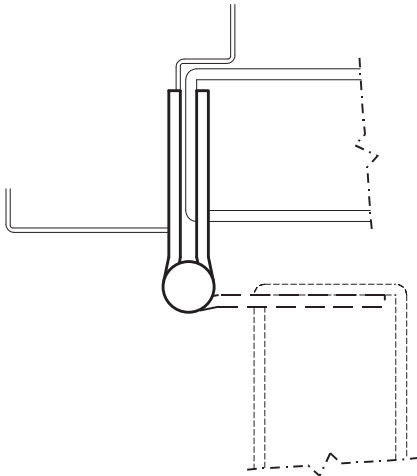
Available Sizes

| Inches | MM | Gauge |
|---------|-----------------|-------|
| 4 x 4 | 101.60 x 101.60 | .130 |
| 4½ x 4 | 124.30 x 101.60 | .134 |
| 4½ x 4½ | 124.30 x 124.30 | .134 |

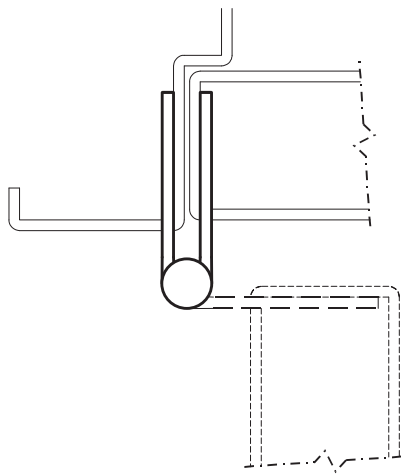
Type I Hinges Handed - Indicate Hand When Ordering

RH Shown, LH Opposite

TYPE 1



TYPE 2



Recommended for use on average frequency and/or medium weight aluminum doors with aluminum frames in schools, hospitals and other public buildings where medium traffic is experienced.

Packing:

All Slip-In Hinges are packed with all machine x $\frac{1}{2}$ wood screws.

INTERIM HINGE



Features:

- For new or retrofit installations where the door and frame are prepared for different size hinge leaves
- Available in both standard (TA2714; TA2314) and heavy weight (T4A3786; T4A3386)
- Hinges are handed

Specifications

| Door Leaf | Jamb Leaf |
|-----------|------------------------|
| 5" | 4½" trimmed to height* |
| 4½" | 4" trimmed to height* |

Specifications

| Jamb Leaf | Door Leaf |
|-----------|------------------------|
| 5" | 4½" trimmed to height* |
| 4½" | 4" trimmed to height* |

When ordering, specify which is the door leaf and which is the jamb leaf dimension.

*An equal amount is trimmed from the top and bottom of the leaf. For custom trimming, consult the factory.

Packing:

All Interim Hinges are packed with all machine x ½ wood screws.

Recommended for installations where door and frame are prepped for two different size hinges.

McKINNEY Hinge Catalog

Continuous Geared Aluminum Hinge

McKinney
ASSA ABLOY

PRODUCT INFORMATION

Two full-height, paired and geared leaves manufactured of extruded 6063-T6 aluminum Alloy / temper with pinless assembly that distribute load stress uniformly along the full length of the door and frame.

To reduce wear, the frame and door leaf are independently machined and then anodized. This allows the machined aluminum surfaces that are in direct contact with the bearing to have a smoother, harder surface.

The continuous hinge acts as reinforcement for both door and frame. Special hinge reinforcements are not required. However door and frame manufacturers standard is acceptable and removal of hinge reinforcements in the door and frame is not advised.

The patented chemical composition and injection process used to produce our bearings provides for a stronger more accurately formed bearing which eliminates premature wear, guarantees proper alignment, and requires fewer bearings to carry more weight. And the intermeshing gear segments in the hinge now provide 50% more bearing surface, which results in less wear.

The gear design ensures identical operation of each leaf. This allows for very little effort required in opening heavy commercial grade doors.

| Door Size | Hinge Length | # of Bearings | Door Weight |
|-----------|--------------|---------------|-------------|
| 6'8" | 79" | 26 | 520 lbs |
| 7'0" | 83" | 27 | 540 lbs |
| 7'2" | 85" | 27 | 540 lbs |
| 8'0" | 95" | 31 | 620 lbs |
| 10'0" | 120" | 39 | 780 lbs |

Heavier weight can be carried. Contact the factory at 800-346-7707 for applications and those not listed in the above chart



Classified and Listed to meet the requirements of Standards, UL10B, UL10C, UBC7-2, Part 1 & BS476 POSITIVE PRESSURE

CYCLE REQUIREMENTS

These hinges are Guaranteed For The Life of the Opening (Flat cable conductor or electrically modified hinges are guaranteed for five years). They are tested and certified by UL® (USA & CANADA) to standards UL10B, UL10C and UB7C.2 Part B & BS476 (positive pressure) for up to a 3-hour (A-Label) Fire Listing for all 4'0" x 10'0" and 8'0" x 10'0" door and frame assemblies.

These hinges have been cycle tested using a 150 lb. door and are now certified fully functional after 1.5 million cycles. Per ANSI / BHMA Standard A156.26-2000, these hinges conform to:
Grade 2-150 (150# Door @ 1,500,000 cycles)
Grade 1-300 (300# Door @ 1,000,000 cycles)
Grade 2-300 (300# Door @ 500,000 cycles)
Grade 1-600 (600# Door @ 500,000 cycles)

Fire Rating

3 hours- hollow metal doors*
90 minutes- wood fire doors

FirePins™

are required only for 3 Hour (A Label) Assemblies see page B for additional information



LISTED
Door Hinges
76Y2

Mounting Hardware To prevent warping of the door along the hinge jamb, screws are located along the full length of the hinge.

These hinges are ideal for use on center hung lead lined door

ELECTRICAL MODIFICATIONS

Performance testing has shown that 1,250,000 cycles can be achieved using our exclusive bonded 4 conductor flat cable which is capable of carrying 4 amps @ 24 volts with a 16 amp in rush current for 300 milliamps. The electrical prep is provided with a 4 amp in-line fuse to protect the cable from any overload or surge in power. Installing the hinge without the fuse will void the warranty (5 year warranty on electrified hinges).

The standard Concealed Current (Option QC) electrically modified hinges are supplied with Flat plug connectors at each leaf, with 4, 8 or 12 wires at each leaf and two 6" pigtails for use with ElectroLynx® doors and hardware supplied by other ASSA ABLOY companies. In addition, these hinges are packaged with a 36" and a 72" wire harnesses with connector on one end and leads for hard wiring on opposite end.

Our new Serviceable, SER and Accessible, ACC versions (refer to catalog page 91) come furnished with the hardware noted above. The SER version is supplied in three separate sections which allow for the door to be installed and the 8" electrical section can be installed at a later time. The ACC version is supplied as a single hinge with leaves modified to pivot at the location of the current carrying cables. This allows for access to cables and connected wiring.

Power Transfer Cut Outs

PT & EPT Preps are available. A prep form must accompany your order and indicate handing, dimension from top of hinge to PT location, etc.

PT for: Adams Rite, Securitron, Yale, Centurion, Dorma

EPT for: Von Duprin

Magnetic Monitoring Hinge

(MM Suffix) is available alone or with the CC option. Refer to catalog page 90 for additional information on our MM function.

McKINNEY Hinge Catalog

Continuous Geared Aluminum Hinge

OTHER AVAILABLE OPTIONS

Options may require handing. Refer to individual catalog pages for availability

DD Dutch Door Prep

HT Hospital Tip

Custom length, indicate handing and length in inches

FirePins™ Kit

FINISHES

CL Clear anodized aluminum

BZ Dark anodized aluminum

G Gold anodized aluminum

BL Black anodized aluminum

SN Brushed satin nickel anodized aluminum

Consult the factory for availability of custom colors on complete hinges or gear caps only.

EDGE HUNG HINGES

- Fasteners are # 12-24 x 7/16" Type C, FH U/C thread-forming screws
 - 20 Screws are required per each leaf
 - Wood Screws available on request and should be specified on order
 - 1/2 x 12-24 Torx Pin Head Machine Screws available on request

FULL –SURFACE HINGES

- Frame Portion all fasteners are 12-24 x 7/16" Type C, FH U/C thread forming screws
 - 12 Screws are required for frame leaf –Wood Screws available on request.
 - 1/2 x 12-24 Torx Pin Head Machine Screws available on request
- Door Portion
 - Thru-Bolt 1/4-20 x 1-5/8"
 - 4 Required per hinge
 - Shoulder Bolt 1/4-20 x 1" PCH
 - 4 Required per hinge
 - Pan Head Self Drilling # 12 x 3/4
 - 6 Required per hinge

HALF –SURFACE HINGES

- Frame Portion all fasteners are 12-24 x 7/16" Type C, FH U/C thread forming screws
 - 20 Screws are required per each leaf
 - Wood Screws available on request and should be specified on order
 - 1/2 x 12-24 Torx Pin Head Machine Screws available on request
- Door Portion
 - Thru-Bolt 1/4-20 x 1-5/8"
 - 4 Required per hinge
 - Shoulder Bolt 1/4-20 x 1" PCH
 - 4 Required per hinge
 - Pan Head Self Drilling # 12 x 3/4
 - 6 Required per hinge

Available Sizes

| Door Size | Hinge Length | Hinge Length MM |
|-----------|--------------|-----------------|
| 6'8" | 79" | 2006 |
| 7'0" | 83" | 2108 |
| 7'2" | 85" | 2159 |
| 8'0" | 95" | 2413 |
| 10'0" | 120" | 3048 |

– 79", 83", 85" 95" and 120" lengths are standard for nominal door heights. The hinges may be ordered in custom lengths, specify handing and length in inches.

– These hinges may also be cut in the field. If the hinge must be shortened, cut the bottom only using a chop saw. This will allow material chips to work out after the installation. Although the hinge is typically not handed, it becomes handed after cutting and the cut edge must be installed at the bottom.

HINGE INSTALLATION

The top of the hinge should be installed flush with the top of the door leaf

Installation instructions are packed with each hinge.

DRILL SIZE CHART

| 12HD, 14HD, 22HD, WTHD, 25HD, 28HD & 54HD | | |
|---|---------------|------------|
| Material | Thickness | Drill Size |
| Aluminum | .090 - .140 | 13 |
| Metal | 20 Gauge | 17 |
| Metal | 16-18 Gauge | 15 |
| Metal | 12-14 Gauge | 13 |
| Wood | N/A | 5/32" |
| 58HD | | |
| 1/4-20 Screws | | |
| Aluminum | .090 - .140 | 7 |
| Metal | 12 – 16 Gauge | 7 |
| Metal | 18 – 20 Gauge | 9 |

Why Choose a McKINNEY Continuous Geared Aluminum Hinge?

McKINNEY commercial grade hinges consist of two full-heights paired and geared leaves. Each geared leaf rotates evenly from top to bottom riding on Delrin® -Teflon® bearings. The geared leaves and bearings are held together by a full-length channel cap. This assembly retains the smooth, clean lines of the door and frame while easily supporting heavy vertical loads.

Security, Safety, Privacy, Ease of Maintenance

- Eliminates alignment problems, such as door sag and binding. Our continuous hinge distributes load stress uniformly along the full length of the door and frame.
- Our inter-meshing gear design, which provides 50% more bearing surface, ensures less wear and identical operation of each leaf, therefore, very little effort is required to open heavy commercial grade doors
- Screws located along the full length of the hinge prevents warping of the door along the hinge jamb
- Our continuous hinge acts as reinforcement for both door and frame
- Anodizing is performed after completing all machining, thus allowing that all aluminum surfaces that are in direct contact with the bearing have a smoother, harder surface, thereby reducing wear
- With our geared construction and full length channel cap, the common gap between the door and frame is sealed thereby providing security against prying
- The closing of the gap also protects against pinching fingers in doors in public areas, especially those where children are present
- Sightproof design of the continuous hinge provides privacy for lavatories, executive offices, file rooms etc.
- Superior hinge design and bearings eliminate premature wear, guarantee proper alignment and require fewer bearings to carry more weight. This is why we can guarantee our hinge for the Life Of the Opening*
- Our QC, Serviceable and Accessible Options make connecting a Snap!

* Hinges with electrical modifications carry a five year warranty from date of shipment

The full-mortise units are designed mainly for new doors and frames, and are applied so as to conceal both leaves. In retrofit applications, the door width must be reduced for proper clearance (See Figures 1, 2, 3 and 4 below for proper clearance).

The full-surface units are designed mainly for retrofit work, and are applied to the exposed surface of the door and frame (See Figures 1 & 2 below for proper clearance).

The half-surface units are designed mainly for retrofit applications. The door leaf is applied to the exposed surface of the door, and the frame leaf is applied to the concealed surface of the frame rabbet (See Figures 1 & 2 below for proper clearance).

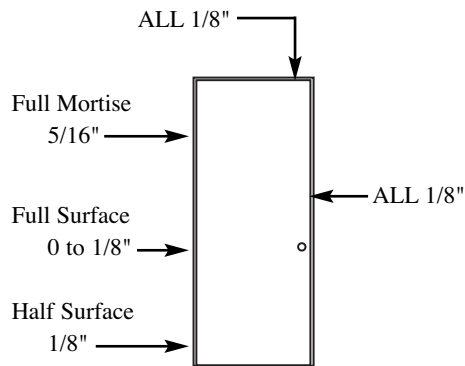


Figure 1 –

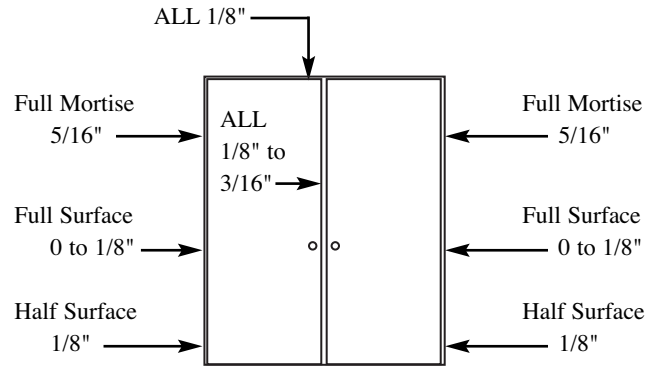


Figure 2 –

* Allow extra clearance as required per astragal manufacturer

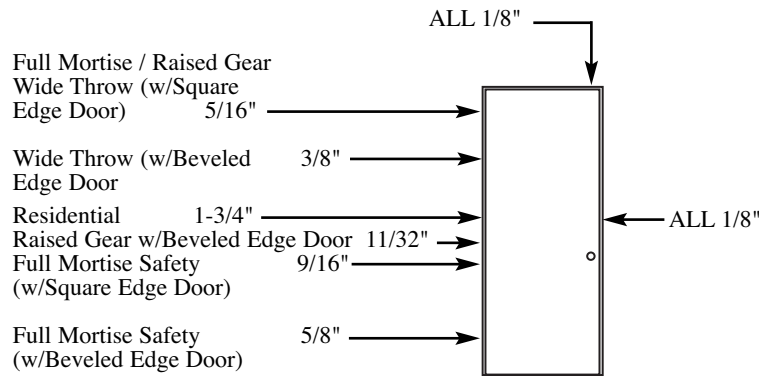


Figure 3 –

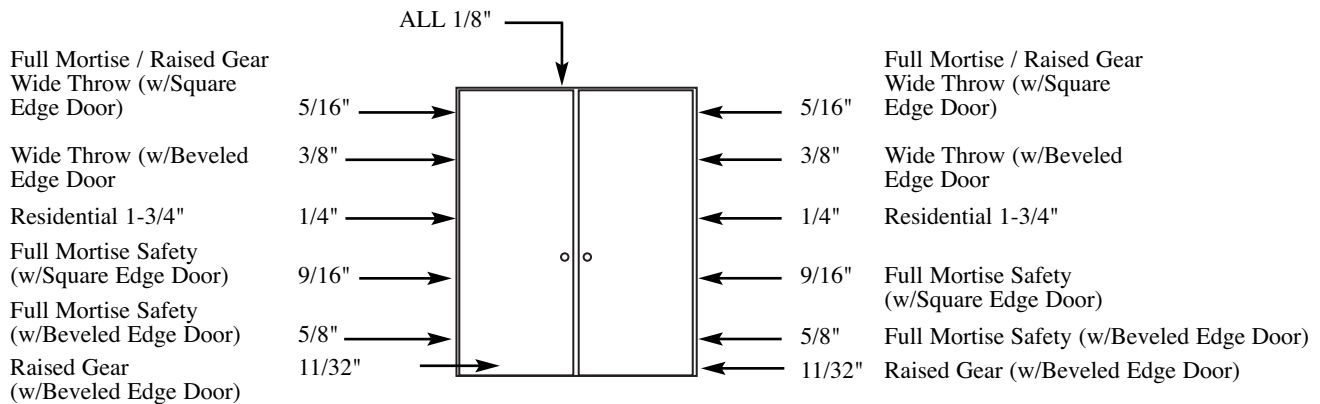


Figure 4 –

McKINNEY Hinge Catalog

Continuous Aluminum Hinge

Fire Ratings



All Hinges designated with these symbols on our catalog pages are tested and certified by Underwriters Laboratories Inc® (U.S.A. & Canada) to standards UL10B, UL10C (negative pressure) and UBC7.2 Part 1, & BS476 (positive pressure) for up to a 3-Hour (A Label) Fire Listing for all 4'0" x 10'0" and 8'0" x 10'0" door and frame assemblies. Fire listing certifications apply to all approved hollow metal and wood door assemblies in drywall or masonry wall construction. Our Intumescent FirePins™ are **only required on 3-Hour (A Label) assemblies.**

| | |
|---|---|
| Template Screw Locations | • |
| 1,500,000 Cycle Test w/150# Door By U.L. Certified Independent La | • |
| UL10B Listed (Negative Pressure), UBC 7.2 (Positive Pressure) | • |
| UL C Listed (Canada) | • |
| Rated 20 min WD x HM Drywall | • |
| Rated 20 min HM x HM Drywall | • |
| Rated 20 min WD x HM Masonry | • |
| Rated 20 min HM x HM Masonry | • |
| Rated 30 min WD x HM Drywall (Canada) | • |
| Rated 30 min HM x HM Drywall (Canada) | • |
| Rated 30 min WD x HM Masonry (Canada) | • |
| Rated 30 min HM x HM Masonry (Canada) | • |
| Rated 45 min WD x HM Drywall | • |
| Rated 45 min HM x HM Drywall | • |
| Rated 45 min WD x HM Masonry | • |
| Rated 45 min HM x HM Masonry | • |
| Rated 60 min WD x HM Drywall | • |
| Rated 60 min HM x HM Drywall | • |
| Rated 60 min WD x HM Masonry | • |
| Rated 60 min HM x HM Masonry | • |
| Rated 90 min WD x HM (16 ga) Drywall | • |
| Rated 90 min WD x HM (16 ga) Masonry | • |
| Rated 90 min WD x HM (18 ga) Drywall | • |
| Rated 90 min WD x HM (18 ga) Masonry | • |
| Rated 90 min HM (20 ga) x HM (18 ga) Drywall | • |
| Rated 90 min HM (20 ga) x HM (18 ga) Masonry | • |
| Rated 90 min HM (20 ga) x HM (16 ga) Drywall | • |
| Rated 90 min HM (20 ga) x HM (16 ga) Masonry | • |
| Rated 90 min HM (18 ga) x HM (18 ga) Drywall | • |
| Rated 90 min HM (18 ga) x HM (18 ga) Masonry | • |
| Rated 90 min HM (18 ga) x HM (16 ga) Drywall | • |
| Rated 90 min HM (18 ga) x HM (16 ga) Masonry | • |
| Rated 90 min HM (16 ga) x HM (16 ga) Drywall | • |
| Rated 90 min HM (16 ga) x HM (16 ga) Masonry | • |
| Rated 90 min HM (16 ga Vert. Stiff) x HM (16 ga) Drywall | • |
| Rated 90 min HM (16 ga Vert. Stiff) x HM (16 ga) Masonry | • |
| ◀◀ Rated 3 Hour HM x HM Masonry/Drywall ▶▶ | |
| Retrofit Applications - Fire Rated | • |
| Maximum Rated Opening Size - Pair 8'0" Wide x 10' high | • |
| Cut to Size in Field | • |



LISTED
Door Hinges
76Y2

◀◀ Indicates FirePins™ Required

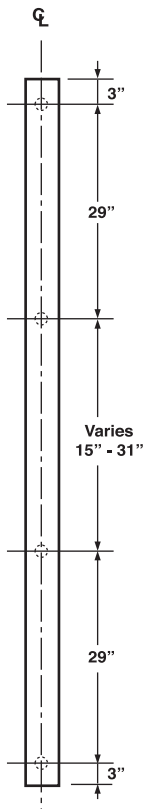
FirePin™ Locations

- The locations illustrated below indicate where holes should be drilled on the hinge edge of the door
- These locations are appropriate for all hinge models (edge hung, full-surface, and half surface)

FirePin™ Locations for Use With Fire Rated Assemblies

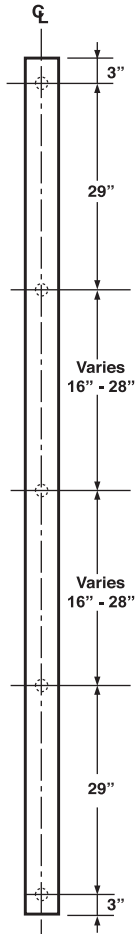
- Although McKINNEY Continuous Geared Hinges carry UL Fire Ratings unequaled in the industry, some applications may require the use of FirePins™. Please refer to the Fire Label Ratings Chart (page CG-5) for information regarding their use.
- FirePin™ applications fall within the UL guidelines for retrofitting assemblies in the field. Expensive shop modifications and door/frame reinforcements are not required.
- FirePins™ also add extra security to a door assembly.

80" - 95" Hinges

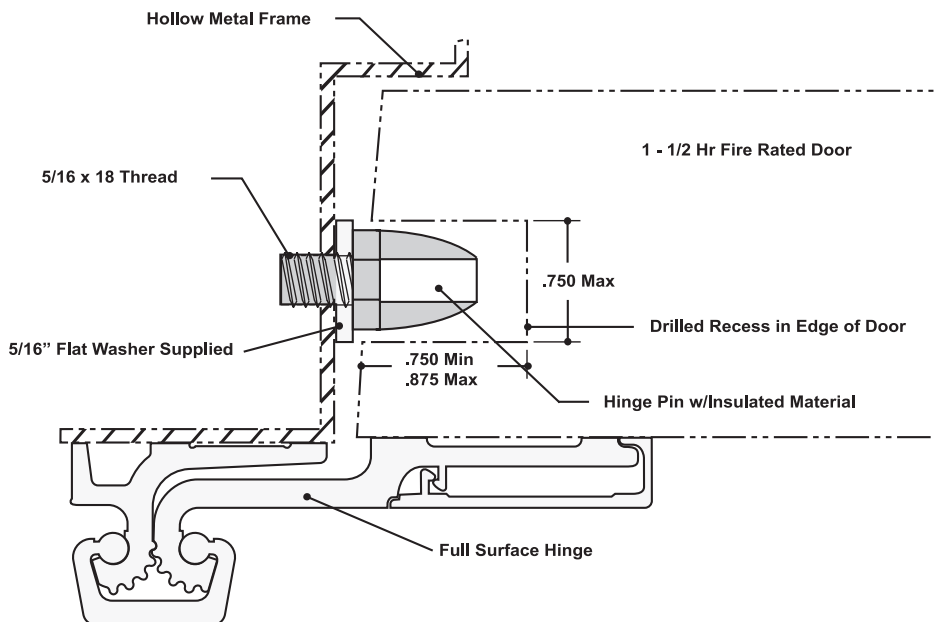
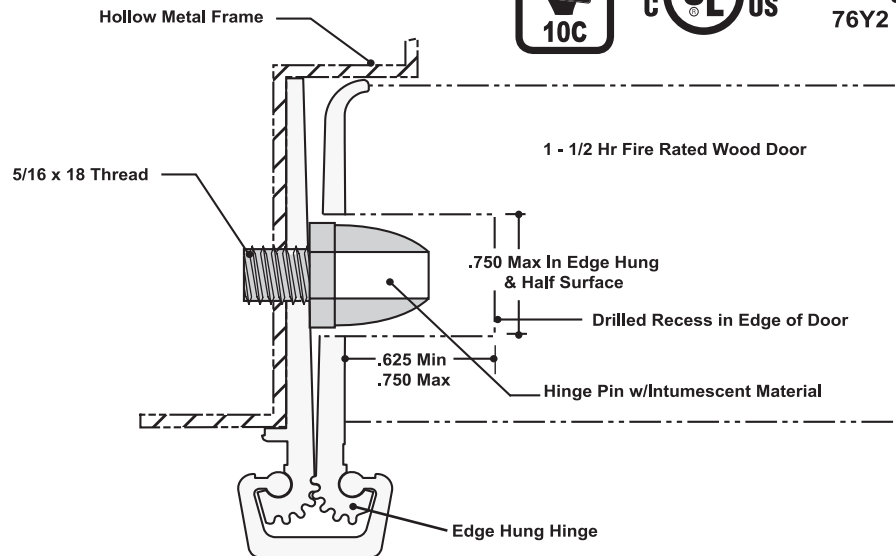


CL - Center Line of Door

96" - 120" Hinges



LISTED
Door Hinges
76Y2



McKINNEY Hinge Catalog

Full Mortise - Edge Hung Flush Door

Continuous Gear Hinge

McKinney
ASSA ABLOY

MCK-12HD SERIES

Extruded 6063-T6 aluminum alloy/temper with pinless assembly.

CL – Clear anodized aluminum

BZ – Dark anodized aluminum

| Door Size | Hinge Length | # of Bearings | Door Weight |
|-----------|--------------|---------------|-------------|
| 6'8" | 79" | 26 | 520 lbs |
| 7'0" | 83" | 27 | 540 lbs |
| 7'2" | 85" | 27 | 540 lbs |
| 8'0" | 95" | 31 | 620 lbs |
| 10'0" | 120" | 39 | 780 lbs |

The MCK-12HD Series is designed for use with doors that are standard 1-3/4" up to 2-1/4" thick.

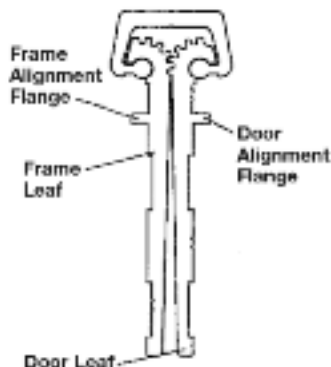
–Designed for use on retrofit applications and allows for adjustment in order to properly align the lock edge of the door to the frame.

Special hinge reinforcements are not required. Hollow metal door and frame manufacturers' standard is acceptable. Removal of hinge reinforcements in the door and frame is not advised.

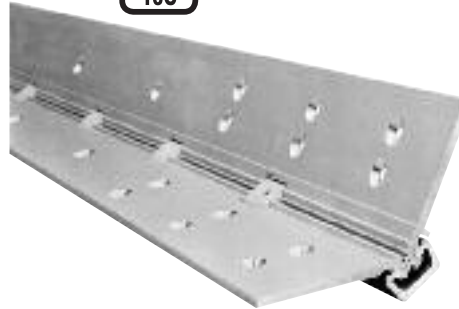
Mounting Hardware # 12-24 x 7/16" FHUC, Type C, thread-forming. 20 required for each leaf. Wood screws available on request only.

For Kawneer Tuffline Series, specify the prefix "K", for instance 83" KMCK-12HD –Designed for use with bi-fold applications to keep the faces of the doors flush.

Kawneer Tuffline Series Application



LISTED
Door Hinges
76Y2

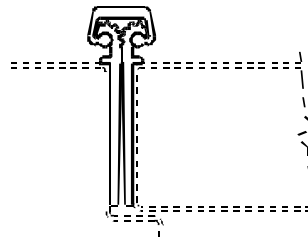


The McKINNEY MCK-12HD continuous gear hinges are recommended for new construction and renovations including new door and frame, new door with existing frame or existing door with new frame.

These hinges are **GUARANTEED FOR THE LIFE OF THE OPENING**

The flat cable conductor or electrically modified hinges are guaranteed for five years.

STANDARD APPLICATION



OPTIONAL FEATURES

G – Gold Anodized Finish

BL – Black Anodized Finish

HT – Hospital Tip

FP – Fire Pins

Custom lengths – specify handing and length in inches

Custom Finish (consult factory for availability)

Electrical Modifications (Suffix)

All electrically modified hinges are furnished with our 4 conductor flat cable connectors at each leaf and two pigtails for use with ElectroLynx connectors as well as a 36" and a 72" wire harness with connectors on one end and hard wiring on opposite end. A 4 amp fuse is supplied to protect the cable from overload or surge in power. Failure to install the fuse voids the warranty.

- **Quick Connect** – Passes constant flow of current between source of power and actuated devices in the door **QC-4; QC-8; QC-12**
- **Serviceable** – Same as QC except hinge supplied in three sections with 8" electrically modified leaf. **SER-4; SER-8; SER-12***
- **Accessible** – Same as QC except furnished with a pivoting 8" section. **ACC-4; ACC-8; ACC-12**
- **MM** – Magnetic Monitoring
- **PT** - Power transfer Prep (cut out only) For Adams Rite, Securitron, Yale, Dorma & Centurion*
- **EPT** – Power transfer prep (cut out only) For Von Duprin*

*PT or EPT Location Form must accompany your order

Refer to catalog Pages 88-90 additional information on our electrical options.

McKINNEY Hinge Catalog

Full Mortise - Edge Hung Flush Door Continuous Gear Hinge

McKinney®
ASSA ABLOY

K-MCK-12HD SERIES

Extruded 6063-T6 aluminum alloy/temper with pinless assembly.

CL – Clear anodized aluminum

BZ – Dark anodized aluminum

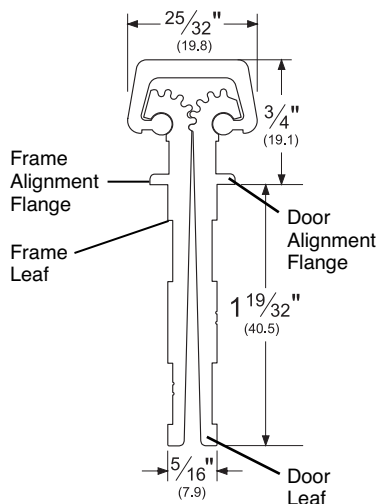
| Door Size | Hinge Length | # of Bearings | Door Weight |
|-----------|--------------|---------------|-------------|
| 6'8" | 79" | 26 | 520 lbs |
| 7'0" | 83" | 27 | 540 lbs |
| 7'2" | 85" | 27 | 540 lbs |
| 8'0" | 95" | 31 | 620 lbs |
| 10'0" | 120" | 39 | 780 lbs |

The K-MCK-12HD Series is designed for Kawneer Tuffline® Series, 2" deep doors with a door style option for continuous hinges.

Special hinge reinforcements are not required. Kawneer Tuffline® Series metal door and frame standard is acceptable. Removal of hinge reinforcements in the door and frame is not advised.

Mounting Hardware # 12-24 x 7/16" FHUC, Type C, thread-forming. 20 required for each leaf. Wood screws available on request only.

Kawneer Tuffline Series Application



LISTED
Door Hinges
76Y2

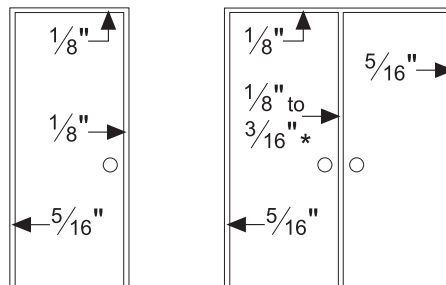


The McKinney K-MCK-12HD continuous gear hinges are recommended for building entrances subjected to heavy traffic and potential abuse.

These hinges are **GUARANTEED FOR THE LIFE OF THE OPENING**

The flat cable conductor or electrically modified hinges are guaranteed for five years.

Designed for Kawneer "Tuffline" series aluminum doors



*Certain door and frame conditions may require an extra 1/32"-1/16" clearance. Excessive clearance on fire rated assemblies may violate the requirements of NFPA 80.

Kawneer Tuffline® Series is a registered trademark of Kawneer Company, Inc.

OPTIONAL FEATURES

G – Gold Anodized Finish

BL – Black Anodized Finish

HT – Hospital Tip

FP – Fire Pins

Custom lengths – specify handing and length in inches

Custom Finish (consult factory for availability)

Electrical Modifications (Suffix)

All electrically modified hinges are furnished with our 4 conductor flat cable connectors at each leaf and two pigtailed for use with ElectroLynx connectors as well as a 36" and a 72" wire harness with connectors on one end and hard wiring on opposite end. A 4 amp fuse is supplied to protect the cable from overload or surge in power. Failure to install the fuse voids the warranty.

- **Quick Connect** – Passes constant flow of current between source of power and actuated devices in the door **QC-4; QC-8; QC-12**
- **Serviceable** – Same as QC except hinge supplied in three sections with 8" electrically modified leaf. **SER-4; SER-8; SER-12***
- **Accessible** – Same as QC except furnished with a pivoting 8" section. **ACC-4; ACC-8; ACC-12**
- **MM** – Magnetic Monitoring
- **PT** - Power transfer Prep (cut out only) For Adams Rite, Securitron, Yale, Dorma & Centurion*
- **EPT** – Power transfer prep (cut out only) For Von Duprin*

*PT or EPT Location Form must accompany your order

Refer to catalog Pages 88-90 additional information on our electrical options.

McKINNEY Hinge Catalog

Full Mortise - Edge Hung Inset Door

Continuous Gear Hinge

McKinney
ASSA ABLOY

MCK-14HD SERIES

Extruded 6063-T6
 aluminum alloy/temper
 with pinless assembly.

CL – Clear anodized aluminum
 BZ – Dark anodized aluminum

| Door Size | Hinge Length | # of Bearings | Door Weight |
|-----------|--------------|---------------|-------------|
| 6'8" | 79" | 26 | 520 lbs |
| 7'0" | 83" | 27 | 540 lbs |
| 7'2" | 85" | 27 | 540 lbs |
| 8'0" | 95" | 31 | 620 lbs |
| 10'0" | 120" | 39 | 780 lbs |

79", 83", 85", 95" and 120" lengths are standard for nominal door heights. The MCK-14HD continuous gear hinge may be field-cut to exact door heights and also may be ordered in custom lengths. Consult the factory for minimum requirements on custom sizes.

The MCK-14HD Series is designed for use with doors which are the standard 1-3/4" up to 2-1/4" thick.

Mounting Hardware

Standard Fasteners are #12-24x7/16" FH U/C, thread forming. 20 required for each leaf.

Wood screws are available upon request.

–Designed for use with hollow metal frames, where the inset conforms to S.D.I. specifications for aligning doors and frames

–Designed for use on retrofit applications and allows for adjustments in order to properly align the lock edge of the door to the frame.

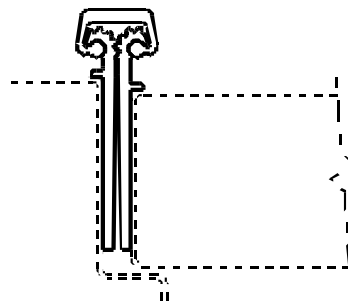
Special hinge reinforcements are not required. Hollow metal door and frame manufacturers' standard is acceptable. Removal of hinge reinforcements in the door and frame is not advised.



LISTED
 Door Hinges
 76Y2



SHORT LEAF INSET APPLICATION



OPTIONS

G – Gold Anodized Finish
 BL – Black Anodized Finish
 HT – Hospital Tip
 FP – Fire Pins

Custom lengths – specify handing and length in inches

Custom Finish (consult factory for availability)

Electrical Modifications (Suffix)

All electrically modified hinges are furnished with our 4 conductor flat cable connectors at each leaf and two pigtails for use with ElectroLynx connectors as well as a 36" and a 72" wire harness with connectors on one end and hard wiring on opposite end. A 4 amp fuse is supplied to protect the cable from overload or surge in power. Failure to install the fuse voids the warranty.

- **Quick Connect** – Passes constant flow of current between source of power and actuated devices in the door
QC-4; QC-8; QC-12
- **Serviceable** – Same as QC except hinge supplied in three sections with 8" electrically modified leaf.
SER-4; SER-8; SER-12*
- **Accessible** – Same as QC except furnished with a pivoting 8" section.
ACC-4; ACC-8; ACC-12
- **MM** – Magnetic Monitoring
- **PT** – Power transfer Prep (cut out only) For Adams Rite, Securitron, Yale, Dorma & Centurion*
- **EPT** – Power transfer prep (cut out only) For Von Duprin*

*PT or EPT Location Form must accompany your order

Refer to catalog Pages 88-90 additional information on our electrical options.

The flat cable conductor or electrically modified hinges are guaranteed for five years.

McKINNEY Hinge Catalog

Full Surface

Continuous Gear Hinge

McKinney®
ASSA ABLOY

MCK-22HD SERIES

Extruded 6063-T6 aluminum alloy/temper with pinless assembly.

CL – Clear anodized aluminum
BZ – Dark anodized aluminum

| Door Size | Hinge Length | # of Bearings | Door Weight |
|-----------|--------------|---------------|-------------|
| 6'8" | 79" | 26 | 520 lbs |
| 7'0" | 83" | 27 | 540 lbs |
| 7'2" | 85" | 27 | 540 lbs |
| 8'0" | 95" | 31 | 620 lbs |
| 10'0" | 120" | 39 | 780 lbs |

Special hinge reinforcements are not required. Hollow metal door and frame manufacturers' standard is acceptable. Removal of hinge reinforcements in the door and frame is not advised.

The McKINNEY MCK-22HD continuous gear hinges are designed mainly for retrofit applications where the door must swing completely out of the frame opening. This hinge is applied to the exposed surface of the door and frame.

It may also be used for new construction including new door and frame, new door with existing frame, existing door with new frame or existing door with existing frame.

Mounting Hardware

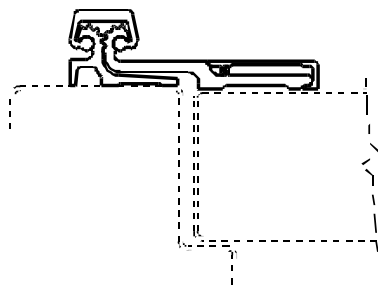
1. Frame Portion all fasteners are 12-24 x 7/16" Type C, FH U/C thread forming screws
 - 12 Screws are required for frame leaf
 - Wood screws are available on request
 - 1/2x12-24 Torx Pin Head Machine Screws available on request
2. Door Portion
 - Thru-Bolt 1/4-20 x 1-5/8"
 - 4 Required per hinge
 - Shoulder Bolt 1/4-20 x 1" PCH
 - 4 Required per hinge
 - Pan Head Self Drilling # 12 x 3/4
 - 6 Required per hinge



LISTED
Door Hinges
76Y2



FULL SURFACE



OPTIONS

G – Gold Anodized Finish
BL – Black Anodized Finish
FP – Fire Pins

Custom lengths – specify handing and length in inches

Custom Finish (consult factory for availability)

Electrical Modifications (Suffix)

All electrically modified hinges are furnished with our 4 conductor flat cable connectors at each leaf and pigtailed for use with ElectroLynx connectors as well as a 36" and a 72" wire harness with connectors on one end and hard wiring on opposite end. A 4 amp fuse is supplied to protect the cable from overload or surge in power. Failure to Install the fuse voids the warranty

- **Quick Connect** – Passes constant flow of current between source of power and actuated devices in the door
QC-4; QC-8; QC-12
- **MM** – Magnetic Monitoring

Refer to catalog Pages 88-90 additional information on our electrical options.

Please note that Power Transfer Cut Outs PT & EPT are not available on this hinge.

McKINNEY Hinge Catalog

Full Mortise - Edge Hung

Continuous Gear Hinge

McKinney®

ASSA ABLOY

MCK-25HD SERIES

Extruded 6063-T6 aluminum alloy/temper with pinless assembly.

CL – Clear anodized aluminum
 BZ – Dark anodized aluminum

| Door Size | Hinge Length | # of Bearings | Door Weight |
|-----------|--------------|---------------|-------------|
| 6'8" | 79" | 26 | 520 lbs |
| 7'0" | 83" | 27 | 540 lbs |
| 7'2" | 85" | 27 | 540 lbs |
| 8'0" | 95" | 31 | 620 lbs |
| 10'0" | 120" | 39 | 780 lbs |

Special hinge reinforcements are not required. Hollow metal door and frame manufacturers' standard is acceptable. Removal of hinge reinforcements in the door and frame is not advised.

The McKINNEY MCK-25HD continuous gear hinges are recommended for new construction and retrofit installations including new door and frame, new door with existing frame or existing door with new frame.

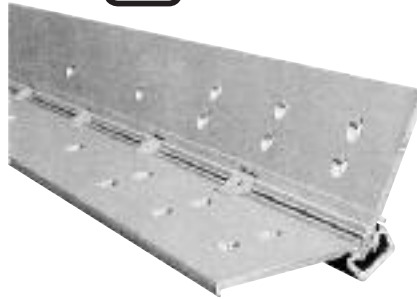
Mounting Hardware

Frame Portion all fasteners are 12-24 x 7/16" Type C, FH U/C thread forming screws

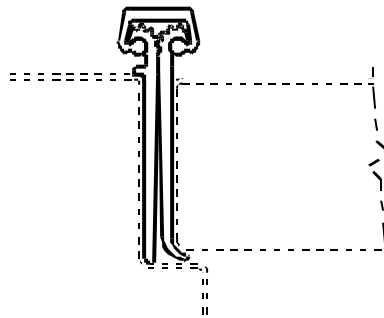
- 20 Screws are required for each leaf
- Wood screws are available on request
- 1/2x12-24 Torx Pin Head Machine Screws available on request



LISTED
 Door Hinges
 76Y2



SHORT LEAF FLUSH APPLICATION



OPTIONS

G – Gold Anodized Finish
 BL – Black Anodized Finish
 HT – Hospital Tip
 FP – Fire Pins
 Custom lengths – specify handing and length in inches
 Custom Finish (consult factory for availability)

Electrical Modifications (Suffix)

All electrically modified hinges are furnished with our 4 conductor flat cable connectors at each leaf and two pigtailed for use with ElectroLynx connectors as well as a 36" and a 72" wire harness with connectors on one end and hard wiring on opposite end. A 4 amp fuse is supplied to protect the cable from overload or surge in power. Failure to install the fuse voids the warranty

- **Quick Connect** – Passes constant flow of current between source of power and actuated devices in the door
QC-4; QC-8; QC-12
- **Serviceable** – Same as QC except hinge supplied in three sections with 8" electrically modified leaf.
SER-4; SER-8; SER-12*
- **Accessible** – Same as QC except furnished with a pivoting 8" section.
ACC-4; ACC-8; ACC-12
- **MM** – Magnetic Monitoring
- **PT** – Power transfer Prep (cut out only) For Adams Rite, Securitron, Yale, Dorma & Centurion*
- **EPT** – Power transfer prep (cut out only) For Von Duprin*

*PT or EPT Location Form must accompany your order

Refer to catalog Pages 88-90 additional information on our electrical options.

McKINNEY Hinge Catalog

Full Mortise - Raised Gear Continuous Gear Hinge

McKinney
ASSA ABLOY

MCK-28HD SERIES

OPTIONS

Extruded 6063-T6 aluminum alloy/temper with pinless assembly.

CL – Clear anodized aluminum
BZ – Dark anodized aluminum

| Door Size | Hinge Length | # of Bearings | Door Weight |
|-----------|--------------|---------------|-------------|
| 6'8" | 79" | 26 | 520 lbs |
| 7'0" | 83" | 27 | 540 lbs |
| 7'2" | 85" | 27 | 540 lbs |
| 8'0" | 95" | 31 | 620 lbs |
| 10'0" | 120" | 39 | 780 lbs |

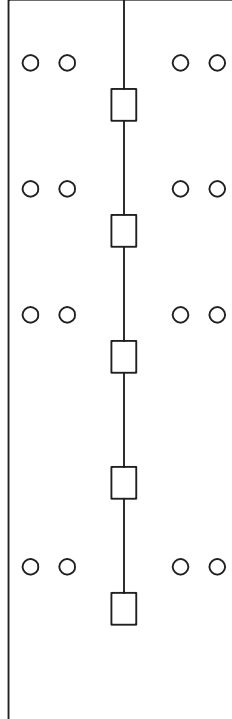
- Designed for use on metal or wood frames with applied casing.
- Applied as to conceal both leaves
- Full mortise hinges are designed for aluminum door and frame applications where the hinge leaf may interfere with the weatherstrip or applied stop of the frame.

Mounting Hardware

MCK-28HD Continuous Gear hinges are recommended for new construction and retrofit installations including new door and frame; new door and existing frame, existing door and new frame

Fasteners are # 12-24 x 7/16" Type C, FH U/C thread-forming screws

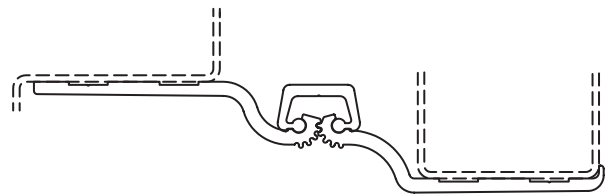
1. 20 Screws are required per each leaf
2. Wood Screws available on request and should be specified on order
3. 1/2x12-24 Torx Pin Head Machine Screws available on request



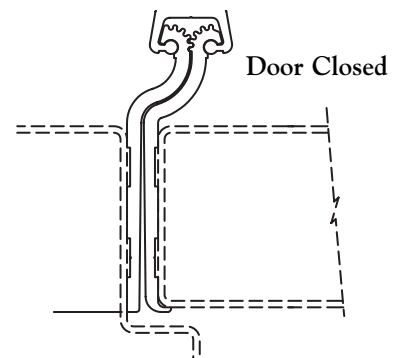
G – Gold Anodized Finish
BL – Black Anodized Finish
HT – Hospital Tip
FP – Fire Pins
Custom lengths – specify handing and length in inches
Custom Finish (consult factory for availability)



LISTED
Door Hinges
76Y2



Door Open 90°



5/16" @ Square Edge Application
11/32" @ Beveled Edge Application

McKINNEY Hinge Catalog

Half Surface

Continuous Hinge

McKinney
ASSA ABLOY

MCK-54HD SERIES

Extruded 6063-T6 aluminum alloy/temper with pinless assembly.

CL – Clear anodized aluminum
BZ – Dark anodized aluminum

| Door Size | Hinge Length | # of Bearings | Door Weight |
|-----------|--------------|---------------|-------------|
| 6'8" | 79" | 26 | 520 lbs |
| 7'0" | 83" | 27 | 540 lbs |
| 7'2" | 85" | 27 | 540 lbs |
| 8'0" | 95" | 31 | 620 lbs |
| 10'0" | 120" | 39 | 780 lbs |

The MCK-54HD series hinge is designed for use with hollow metal frames, where the inset conforms to S.D.I. specifications for aligning doors and frames

–Designed for use on retrofit applications and allows for adjustment in order to properly align the lock edge of the door to the frame.

Special hinge reinforcements are not required. Hollow metal door and frame manufacturers' standard is acceptable. Removal of hinge reinforcements in the door and frame is not advised.

The McKINNEY MCK-54HD continuous gear hinges are designed mainly for retrofit applications. The door leaf is applied to the exposed surface of the door and the frame leaf is applied to the concealed surface of the frame rabbit. It may also be used for new construction including new door and frame, new door with existing frame, existing door with new frame or existing door with existing frame.



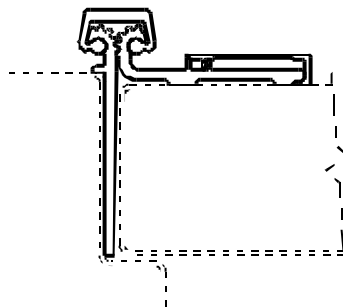
LISTED
Door Hinges
76Y2



MOUNTING HARDWARE

1. Frame Portion all fasteners are 12-24 x 7/16" Type C, FH U/C thread forming screws
 - 20 Screws are required per each leaf
 - Wood Screws available on request and should be specified on order
 - 1/2x12-24 Torx Pin Head Machine Screws available on request
2. Door Portion
 - Thru-Bolt 1/4-20 x 1-5/8"
 - 4 Required per hinge
 - Shoulder Bolt 1/4-20 x 1" PCH
 - 4 Required per hinge
 - Pan Head Self Drilling # 12 x 3/4
 - 6 Required per hinge

HALF-SURFACE APPLICATION



OPTIONS

G – Gold Anodized Finish
BL – Black Anodized Finish
FP – Fire Pins

Custom lengths – specify handing and length in inches
Custom Finish (consult factory for availability)

Electrical Modifications (Suffix)

All electrically modified hinges are furnished with our 4 conductor flat cable connectors at each leaf and two pigtailed for use with ElectroLynx connectors as well as a 36" and a 72" wire harness with connectors on one end and hard wiring on opposite end. A 4 amp fuse is supplied to protect the cable from overload or surge in power. Failure to install the fuse voids the warranty.

- **Quick Connect** – Passes constant flow of current between source of power and actuated devices in the door **QC-4; QC-8; QC-12**

Refer to catalog Pages 88-90 for additional information on our electrical options.

McKINNEY Hinge Catalog

Full Surface

Center Pivot Continuous Hinge

McKinney[®]

ASSA ABLOY

MCK-58HD SERIES

Extruded 6063-T6 aluminum alloy/temper with pinless assembly.

CL – Clear anodized aluminum
 BZ – Dark anodized aluminum

| Door Size | Hinge Length | # of Bearings | Door Weight |
|-----------|--------------|---------------|-------------|
| 6'8" | 79" | 26 | 520 lbs |
| 7'0" | 83" | 27 | 540 lbs |
| 7'2" | 85" | 27 | 540 lbs |
| 8'0" | 95" | 31 | 620 lbs |
| 10'0" | 120" | 39 | 780 lbs |

The MCK-58HD Series is designed for use where pivot point must be centered between the door and frame and are applied to the exposed surface of the door and frame.

–Designed for use where frame face is less than 1-1/2" wide.

Special hinge reinforcements are not required. Hollow metal door and frame manufacturers' standard is acceptable. Removal of hinge reinforcements in the door and frame is not advised.

The McKINNEY MCK-58HD continuous gear hinges are designed for retrofit work and can be used for new construction and renovation projects applications where the pivot point must be centered between the door and frame, or where the frame face is less than 1-1/2".



LISTED
 Door Hinges
 76Y2



OPTIONS

G – Gold Anodized Finish
 BL – Black Anodized Finish
 FP – Fire Pins

Custom lengths – specify handing and length in inches

Custom Finish (consult factory for availability)

Electrical Modifications (Suffix)

All electrically modified hinges are furnished with our 4 conductor flat cable connectors at each leaf and two pigtails for use with ElectroLynx connectors as well as a 36" and a 72" wire harness with connectors on one end and hard wiring on opposite end. A 4 amp fuse is supplied to protect the cable from overload or surge in power. Failure to install the fuse voids the warranty.

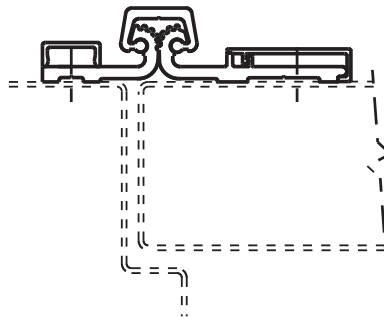
- **Quick Connect** – Passes constant flow of current between source of power and actuated devices in the door **QC-4; QC-8; QC-12**

Please note that Power Transfer Cut Outs PT & EPT are not available on this hinge

MOUNTING HARDWARE

1. Frame Portion all fasteners are 12-24 x 7/16" Type C, FH U/C thread forming screws
 - 12 Screws are required for frame leaf
 - and should be specified on order
 - 1/2x12-24 Torx Pin Head Machine Screws available on request
2. Door Portion
 - Thru-Bolt 1/4-20 x 1-5/8"
 - 8 Required per hinge
 - Shoulder Bolt 1/4-20 x 1" PCH
 - 8 Required per hinge
 - Pan Head Self Drilling # 12 x 3/4
 - 4 Required per hinge

FULL-SURFACE APPLICATION



McKINNEY Hinge Catalog

Wide Throw Full-Mortise Continuous Gear Hinge

McKinney
ASSA ABLOY

MCK-WTHD SERIES

Extruded 6063-T6 aluminum
Alloy/temper with pinless assembly.

CL – Clear anodized aluminum
BZ – Dark anodized aluminum

Available Sizes

| Door Size | Hinge Length | Hinge Length MM |
|-----------|--------------|-----------------|
| 7'0" | 83" | 2108 |
| 8'0" | 95" | 2413 |

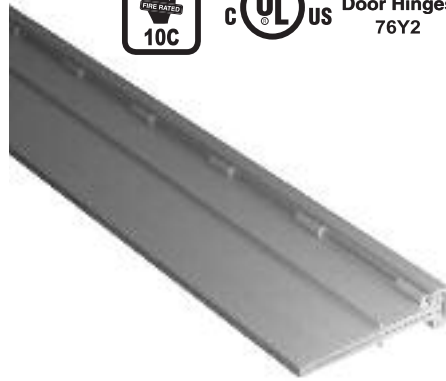
Special hinge reinforcements are not required. Hollow metal door and frame manufacturers standard is acceptable. Removal of hinge reinforcements in the door and frame is not advised.

Undersizing of door must also include clearances for lock side of door, added to clearance, to obtain the proper Undersizing of door.

The McKINNEY MCK-WTHD continuous gear hinge is recommended for new construction or renovations that require extra clearance due to special frame or door design and are applied so as to conceal both leaves. These include new door and frame, new door with existing frame or existing door with new frame, or new door applications that require extra clearance (provides 2-3/4" clearance) due to special frame or door design.



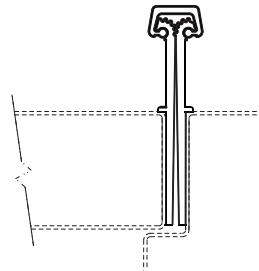
LISTED
Door Hinges
76Y2



OPTIONS

G – Gold Anodized Finish
BL – Black Anodized Finish
HT – Hospital Tip
FP – Fire Pins
Custom lengths – specify handing and length in inches
Custom Finish (consult factory for availability)

APPLICATION



Requires 5/16" clearance for square edge doors and 3/8" clearance on beveled edge doors. Clearances noted here are for hinge edges only. Undersizing of door must also include clearance for lock side of door, added to hinge clearance to obtain proper undersizing of door.

Mounting Hardware

1. Fasteners are # 12-24 x 7/16" Type C, FH U/C thread-forming screws
1. 20 Screws are required per each leaf
2. Wood Screws available on request and should be specified on order
3. 1/2x12-24 Torx Pin Head Machine Screws available on request

McKINNEY Hinge Catalog

Full Mortise - Safety Hinges

Continuous Gear Hinge

McKinney[®]

ASSA ABLOY

MCK-35HD & MCK-38HD SERIES

Extruded 6063-T6 aluminum alloy/
temper with pinless assembly.

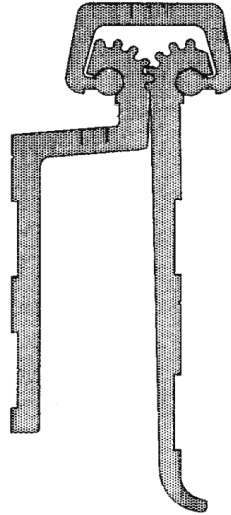
CL – Clear anodized aluminum
BZ – Dark anodized aluminum

| Door Size | Hinge Length | # of Bearings | Door Weight |
|-----------|--------------|---------------|-------------|
| 6'8" | 79" | 26 | 520 lbs |
| 7'0" | 83" | 27 | 540 lbs |
| 7'2" | 85" | 27 | 540 lbs |
| 8'0" | 95" | 31 | 620 lbs |
| 10'0" | 120" | 39 | 780 lbs |

–Designed mainly for new door applications in child care and nursing facilities. These hinges require extra clearance with a special frame design and are applied as to conceal both leaves.

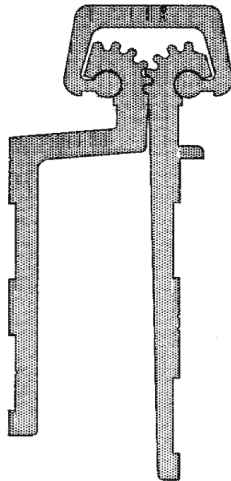
–The unique design prevents small fingers from getting pinched in the door.

–Safety hinges are designed for frames with no stops on the hinge jamb



MCK-35HD

Required 13/16" clearance for square edge doors and 27/32" clearance on beveled edge doors.



MCK-38HD

Required 13/16" clearance for square edge doors and 27/32" clearance on beveled edge doors.

OPTIONS

G – Gold Anodized Finish

BL – Black Anodized Finish

HT – Hospital Tip

Custom lengths – specify handing and length in inches

Custom Finish (consult factory for availability)

1. Fasteners are # 12-24 x 7/16" Type C, FH U/C thread-forming screws
1. 20 Screws are required per each leaf
2. Wood Screws available on request and should be specified on order
3. 1/2x12-24 Torx Pin Head Machine Screws available on request

PRODUCT INFORMATION

Our Pin and Barrel Hinge stainless steel, 300 and 3500 Series and cold rolled steel 3700 Series are UL listed.

Our stainless and steel continuous hinges distribute shock forces evenly so wear and tear to the frame and door is reduced significantly. Security is enhanced by preventing insertion of devices between the door and frame thus reducing vandalism. The continuous design allows for easy alignment of electrical transfers and monitoring switches. These hinges also aid in stopping air infiltration by creating a complete seal from top to bottom of the door at the hinge stile.

The Pin and Barrel Hinge is held together with a 1/4" stainless steel Teflon coated rod free moving rod. The hinge works on a split bearing assembly which eliminates premature wear and guarantees proper alignment.

The Pin and Barrel Hinge acts as reinforcement for both door and frame. For the majority of our hinges, special hinge reinforcements are not required. However door and frame manufacturers standard is acceptable and removal of hinge reinforcements in the door and frame is not advised. When using our HG models HG-305, HG-310, HG-322, HG-326 and HG3505 in a hollow metal door application, we strongly suggest reinforcement at the lock side of the door for proper use of the **AdjustaScrews™** assembly. This added reinforcement will ensure the proper amount of material for threading the Adjusta-Screw, giving the assembly the strength needed to last the life of the opening. It is important to note that these added reinforcements must be added to the door at time of manufacture. Please be sure to take this into consideration when ordering your doors. Again, this reinforcement applies only to the Adjusta-Screw assembly and is not needed for any other hardware application.

| Door Size | Hinge Length | | Weight Capacity 1-3/4" Doors |
|-----------|--------------|--------|---------------------------------|
| | Inches | MM | |
| 6'8" | 78.75" | 2000.2 | 600 lbs |
| 7'0" | 83.125" | 2111.4 | 600 lbs |
| 7'2" | 85" | 2159.0 | 600 lbs |
| 8'0" | 95" | 2413.0 | 600 lbs |
| 10'0" | 118.75" | 3016.2 | 600 lbs |

| Door Size | Hinge Length | | Weight Capacity 2" Doors |
|-----------|--------------|--------|-----------------------------|
| | Inches | MM | |
| 6'8" | 78.75" | 2000.2 | 900 lbs |
| 7'0" | 83.125" | 2111.4 | 900 lbs |
| 7'2" | 85" | 2159.0 | 900 lbs |
| 8'0" | 95" | 2413.0 | 900 lbs |
| 10'0" | 118.75" | 3016.2 | 900 lbs |

CYCLE REQUIREMENTS

Both the 300 Series and 3500 Series stainless hinges meet or exceed ANSI / BHMA Standard A156.1 - Grade 1. The 3700 Series steel hinge meets or exceeds ANSI / BHMA Standard A156.1 – Grade 2.



Classified and Listed to meet the requirements of Standards, UL10B, UL10C, UBC7-2 **POSITIVE PRESSURE**

Maximum Door Opening:

- Single Doors: 4'0" x 10'0"
- Pair of Doors: 8'0" x 10'0"

Fire Rating

3 hours

- hollow metal doors mounted singly

90 minutes

- hollow metal and composite core wood fire doors

20 minutes

- wood doors

MOUNTING HARDWARE

To prevent warping of the door along the hinge jamb, screws are located along the full length of the hinge. The templated hole pattern makes these hinges are ideal for use on center-hung lead lined doors – Lead Line covers are available for surface mount units.

Our **AdjustaScrews™** fastener available on the Hinge Guard models permits up to 3/8" width adjustment. Full door length adjustment can mean doors can be squared accurately and easily in new installations and existing frames can be used in retrofits. Future adjustments can be made by the Maintenance staff by re-positioning the Adjusta-Screw fasteners.

Please refer to the individual catalog pages for fastener information.

Hinges may be field cut per installation instructions.

FINISHES

The 300 and 3500 Series stainless hinges are supplied as a standard in brushed satin finish US-32D (630) and are available in bright stainless US-32 (629). The 3700 series steel hinges are supplied in Gray Powder Coat finish. Consult the factory for availability of custom finishes.

HINGE NUMBERING SYSTEM

- EG – Edge Guard
- FM – Edge Mount
- FS – Full Surface
- HG – Hinge/Guard
- HM – Half Mortise
- HS – Half Surface
- SC – Swing Clear

This series number indicates the type of hinge and base material used:

Hinge Series

- 300 14 Gauge, 304 Stainless steel barrel hinges with stainless pin
- 3500 12 Gauge, 304 stainless steel pin and barrel security hinges with stainless pin
- 3700 14 Gauge, 1012 Carbon steel barrel hinges with stainless pin

Hinge Models

The last two digits of the model number indicate the application:

- 00 – edge mount (formerly full mortise)
- 01 – full surface, 1/8" offset
- 02 – full surface, flush
- 03 – half surface, 1/8" offset
- 04 – half mortise, 1/8" offset
- 05 – edge mount hinge/guard
- 06 – half mortise hinge/guard
- 07 – double hinge/guard
- 08 – edge guard
- 09 – full surface, swing clear
- 10 – swing clear hinge/guard
- 11 – edge mount, self aligning

Other numbers are used for specific applications

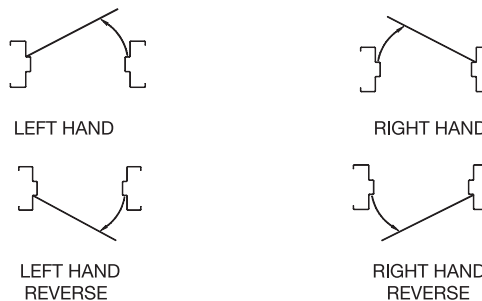
Option Suffixes

- AMS – Adjustable Monitoring Switch
- CC – Concealed Current Transfer
- DD – Dutch Door
- PT – Power Transfer Cut Out for Adams Rite, Securitron, Yale, Centurion & Dorma
- EPT – Power Transfer Cut Out for Von Duprin
- ES – Exposed Monitoring Switch
- HT – Hospital Tip
- LL – Lead Lined
- MB – Medical Bearings
- PC – Powder Coated
- RB – Raised Barrel
- WT – Wide Throw

HANDING

Some Options including but not limited to CC, PT, EPT, HT, will require handing. Refer to the individual catalog pages.

Specify handing on all custom hinge lengths.



Custom Design

McKinney's engineering department will be willing to assist you in developing custom applications to solve any of your unique door hinging problems. Together with the customer, we will go through an official sign-off process to assure custom hinges fit your exact needs.

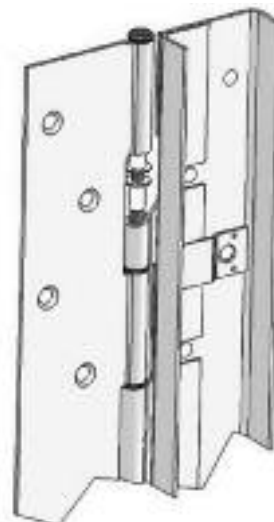
Medical Bearings for 300 series Hinges

Specially designed for hospitals and other high frequency openings.

Patented fiber-reinforcement polymer bearings:

- Self lubricating with high resistance to wear
- Uniquely designed to provide clean and quiet hinge operation
- Exceeds ANSI/BHMA Grade 7 requirements
- Support doors weighing up to 600 lbs.
- 25 year warranty

Specify by suffixing "MB" to the Stainless steel hinge models

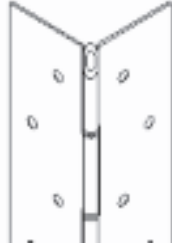


ASSA ABLOY, the global leader in door opening solutions

HINGE MODIFICATIONS

Hospital Tip

Available on all models except
 spring-loaded toilet partition hinges,
 FS 321 and FM 327.
 Suffix hinge “-HT”
 Helps provide a safe, clean environment



Standard Edge Guard Cut-Outs

- 4 7/8 ASA strike
- 161 latch
- 86 mortise
- manual flush bolt
- automatic flush bolt
- 161 strike



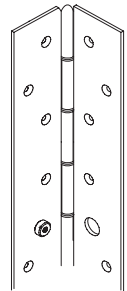
Dutch Door Prep

Available on all hinge models
 Suffix hinge “-DD”
 Continuous frame leaf with two-piece
 door leaf
 Indicate handing, clearances, door
 and frame heights, and materials when
 ordering



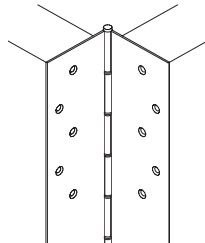
Security Studs

Stainless steel security studs mounted to
 the frame leaf
 Door leaf is drilled to accommodate studs
 Three studs installed on hinges up to 7'2"
 Four studs installed on hinges over 7'2"
*Door and frame must be specially prepared
 to accommodate security studs*



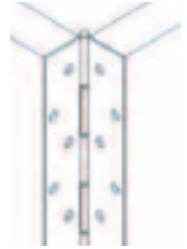
Wide Throw

Only available on 300 series hinges
 Suffix hinge “-WT”
 Specify distance from pin centerline to
 heel edge of hinge when ordering



Sheared Leaf

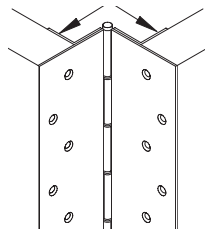
Used for narrow door thickness', unevenly
 rabbeted frames or other special
 applications
 Specify distance from pin centerline to
 heel edge of hinge when ordering



**Reinforcement may be required on
 extreme wide throw applications.**

These conditions will be determined
 through a drawing approval process.

Cost will be determined at time of
 approval



Custom Hole Pattern

Any hole shape or pattern other than
 McKinney's standard templated hole
 pattern
 Indicate desired pattern and include
 dimensioned diagrams when ordering



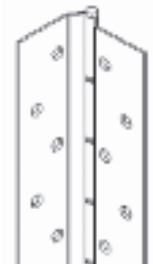
Blank

Holes omitted for special
 applications, such as welded installation.
 Not available on adjustable models.



Raised Barrel (Swaged)

Available on all edge mount and half
 surface models except on Aluminum
 hinges
*Required on models FS-201, FS-202,
 FS-301 & FS-302 in order to open 180°*
 Suffix hinge “-RB”
 For cased open or center pivot doors

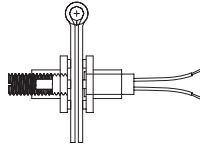


HINGE MODIFICATIONS

AMS Adjustable Monitoring Switch

Rigid welded assembly gives you the ability to adjust your monitoring switch to work with all applications.

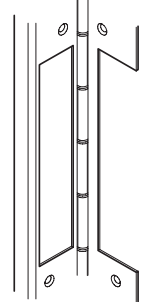
Not available on aluminum hinges or powder coat finishes.



PT or EPT Current Transfer Prep

Hinge leaf cutout to accommodate PT for Adams Rite, Securitron, Yale, Centurion & Dorma

EPT for Von Duprin
Please provide location and handing for all locations.



CC Concealed Current Transfer

For 300, 3500, and 200 series
Edge mount only. Not available on Raised Barrel applications.

CE-4: Qty (4) 28ga wires
CE-8: Qty (8) 28ga wires



Standard Edge Guard Cut-Outs

- 4 7/8 ASA strike
- 161 latch
- 86 mortise
- manual flush bolt
- automatic flush bolt
- 161 strike

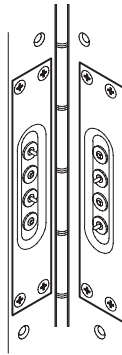
Edge Guard Order Form must accompany your order



Handing required

CT Current Transfer Contact Switch

Rated for 16 amp. surge current
No wire furnished: 1/4-20 screw posts will accommodate any gauge wire
Recommended only for low-traffic doors; requires CTP Current Transfer Prep



Security Fastener

Torx Head security fasteners are available in lieu of standard fasteners.

Standard Powder Coat Finishes

- MP-PC-1 Dark Bronze
- MP-PC-2 Eggshell White
- MP-PC-3 Semi Gloss Black
- MP-PC-4 Aluminum
- MP-PC-5 Sun Gold
- MP-PC-6 Light Copper
- MP-PC-7 Polished Brass*

* FM300 Series only

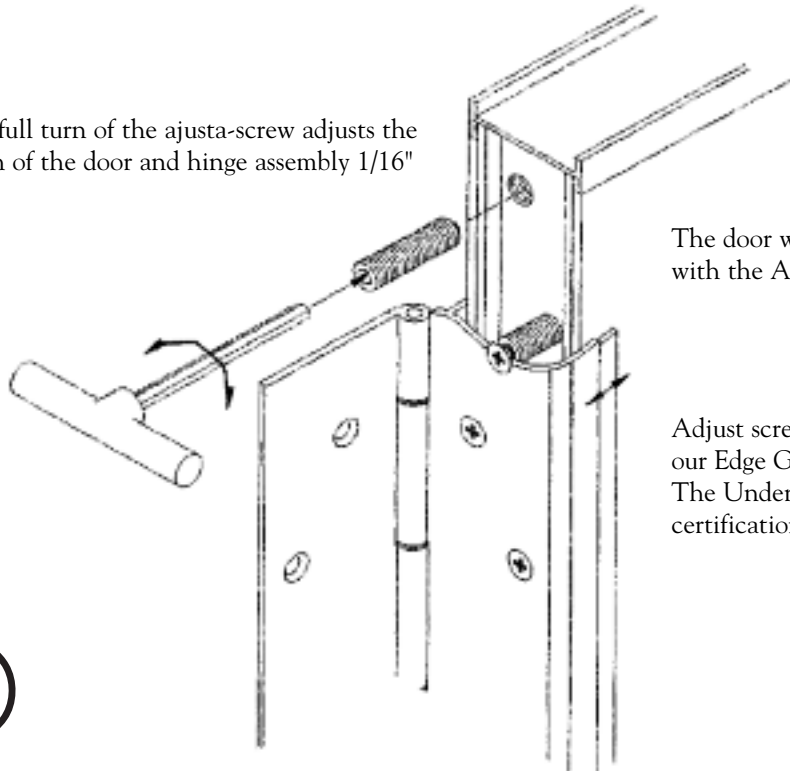
**MP-ETAP
Electrical Transfer Access Prep**

Modifications that allows easy one person access to wiring between the hinge and door/frame.



ADJUSTA-SCREW ASSEMBLY

One full turn of the adjusta-screw adjusts the width of the door and hinge assembly 1/16"

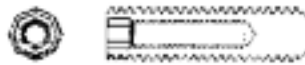


The door width can be adjusted up to .3/8" with the Adjusta-Screw assembly as shown

Adjust screw assemblies are also approved on our Edge Guards, EG-308 and EG-T308. The Underwriters Laboratories Inc. certification file number is R15384(N)



MP-7 10-32 x 3/4"
 Phillips flat head
 undercut stainless steel
 machine screw



MP-25 13/8"
 Adjusta-stud fastener
 with 10-32 internal thread
 and hex head adjustment

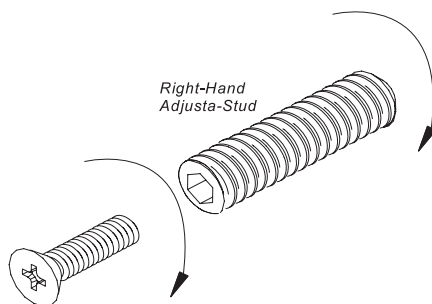
NOTE:

You must predrill your door using a 5/16" bit for every fastener.
 Please see instruction sheets for full details on proper prepwork and installation procedures.

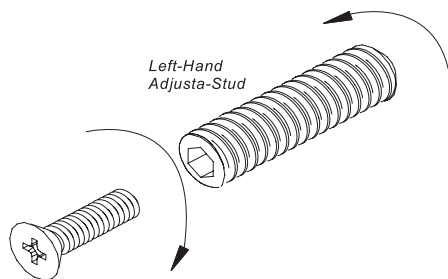
ADJUSTA-STUD HOLLOW METAL VS WOOD

HG-3505, HG-305, HG-310, HG-322, HG-326

The right hand Adjusta-Stud was designed for use in a wood door application. The Adjusta-Stud will cut its own thread into the pre-drilled pilot hole. Pre-tapping of the pilot hole is not required in a wood application.



The left hand Adjusta-Stud was designed for use in a hollow metal door application. Proper reinforcement must first be applied to the door during manufacturing to allow for tapping of the 3/8-16 left handed thread. Using this left handed stud in a hollow metal door application will help prevent the stud from dropping into the door during hinge installation and adjustment.



MP-7 10-32 x 3/4"
Phillips flat head
undercut stainless steel
machine screw

MP-25 13/8"
Adjusta-stud fastener
with 10-32 internal thread
and hex head adjustment

NOTE:

When ordering the hinges indicated above, where the Adjusta-Stud is included at no extra charge, you must indicate which type of application is preferred. The standard default will provide the right hand Adjusta-Stud.

McKINNEY Hinge Catalog

Edge Mount

Stainless Steel Continuous Hinge

McKinney
ASSA ABLOY

MCK-FM300 EDGE MOUNT

Heavy-Duty 14 Gauge, 304 stainless steel
Finished in 32D (630)

Available Sizes

| Door Size | Hinge Length | Hinge Length MM |
|-----------|--------------|-----------------|
| 6'8" | 78.75" | 2000.2 |
| 7'0" | 83.125" | 2111.4 |
| 7'2" | 85" | 2159.0 |
| 8'0" | 95" | 2413.0 |
| 10'0" | 118.75" | 3016.2 |

This edge-mounted pin & barrel type hinge is used on many of today's high traffic, high abuse doors. The hinge works well in locations that used anchor hinges, pivot reinforcement hinges or thrust pivot unit and hinge sets. This hinge saves on special door and frame preparation charges and makes the installer's job easier. It can be used on both fire labeled and non-labeled openings.



Classified in accordance with UBC code standard 7-2 for positive pressure

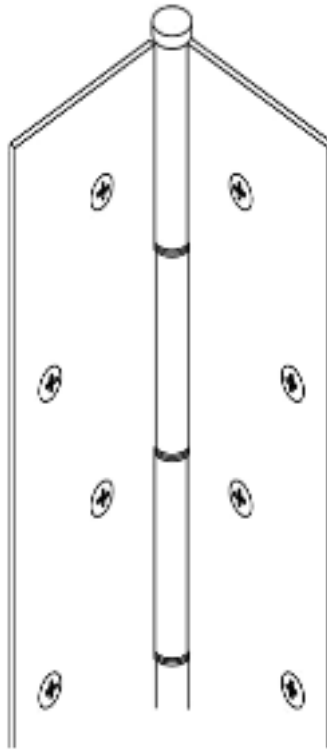
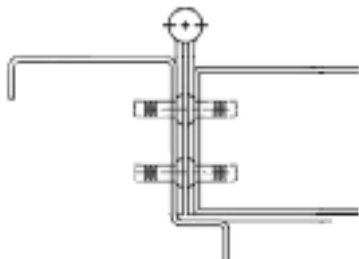
Fire Rating

3 hours- hollow metal doors mounted singly

90 minutes- hollow metal and composite core wood fire doors

20 minutes- wood doors

Door Closed



Mounting Hardware

No exposed mounting fasteners when closed

Fastener screw pack includes #10x7/8" PH U/C Self Drilling, 410 S.S. #10x1-1/4" PH U/C S.S.

Capacity (1-3/4" Doors)

Supports weights up to 600lbs. 4'0" maximum door width

Hole Pattern

Symmetrically templated
Non-handed

For use on center hung lead lined doors

Barrel Type Hinge

1/4" diameter, 304 stainless steel pin
Long-life split nylon bearings
Exterior barrel diameter .438 (7/16)

OPTIONAL FEATURES

- 32 Bright Polished stainless (629)
- Custom lengths- specify handing and length in inches
- Custom hole pattern
- Tamper-proof security screws
- Special sheared leaf

Options (Suffix, may require handing)

- **DD** Dutch door hinges (DD Form Required)
- **HT** Hospital tips
- **MB** Medical Bearings
- **RB** Raised barrel
- **WT** Wide Throw

Electrical Modifications (Suffix)

- **AMS** Adjustable Monitoring Switch
- **CC** Concealed Circuit (4 or 8 Wire)
- **QC** Electrolynx® Concealed Circuit (4, 8 or 12 Wire)
- **PT** Power Transfer Prep (Cut out Only) For Adams Rite, Securitron, Yale, Dorma & Centurion*
- **EPT** Power Transfer Prep (Cut out Only) For Von Duprin *

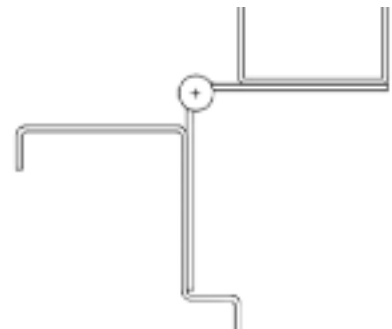
Consult the Factory on other available options

* Power Transfer Location Template must accompany your order

When installed on a 16 gage (or heavier) metal frame, hinge reinforcements are not required, nor are they recommended. However, if the frames are equipped with mortise hinge reinforcements, removal is not advised.

ANSI Cross Reference

A156.26 Grade 1



Door Open 90°

McKINNEY Hinge Catalog

Full Surface, 1/8" Inset

Stainless Steel Continuous Hinge

McKinney[®]

ASSA ABLOY

MCK-FS301

Heavy-Duty 14 Gauge, 304 stainless steel
Finished in 32D (630)

Available Sizes

| Door Size | Hinge Length | Hinge Length MM |
|-----------|--------------|-----------------|
| | 78.75" | 2000.2 |
| 7'0" | 83.125" | 2111.4 |
| 7'2" | 85" | 2159.0 |
| 8'0" | 95" | 2413.0 |
| 10'0" | 118.75" | 3016.2 |

For 1/8" inset doors. This surface mounted hinge can be used to repair both fire labeled and non-labeled doors that have very tight clearances. The hinge has a built-in 1/8" offset to assist in weather seal and sound barrier areas.



Classified in accordance with UBC code standard 7-2 for positive pressure

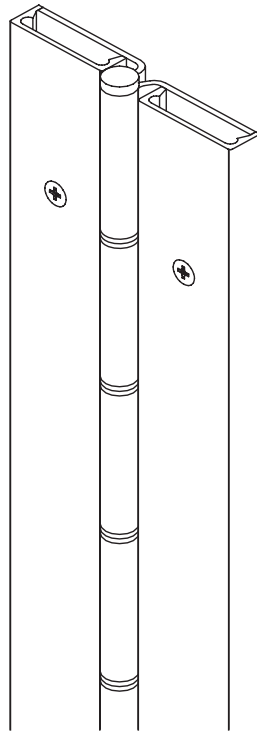
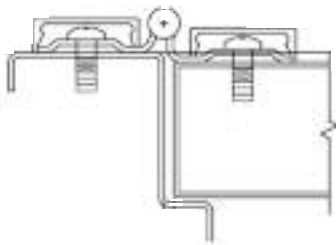
Fire Rating

3 hours- hollow metal doors mounted singly

90 minutes- hollow metal and composite core wood fire doors

20 minutes- wood doors

Door Closed



Mounting Hardware

No exposed mounting fasteners when closed Universal screw pack includes 1/4-20 x 3/4 PPH Tek SD, Zinc #8 x 3/4" PHF Tek, Zinc Cover Clip

Fastener Cover

Brushed Aluminum

Capacity (1-3/4" Doors)

Supports weights up to 600lbs.
4'0" maximum door width

Hole Pattern

Symmetrically templated
Non-handed

Barrel Type Hinge

1/4" diameter stainless steel pin
Long-life split nylon bearings

Exterior Barrel Diameter

.438 (7/16)

OPTIONAL FEATURES

- 32 Bright Polished stainless (629)
- Custom lengths - specify handing and length in inches
- Brite dipped fastener cover
- 1-3/4" aluminum sleeve bolts

Options (Suffix may require handing)

- **DD** Dutch door hinges (DD Form Required)
- **HT** Hospital tips
- **MB** Medical Bearings
- **RB** Raised Barrel
- **LL** Lead-lined cover w/ 1/16" lead-lining

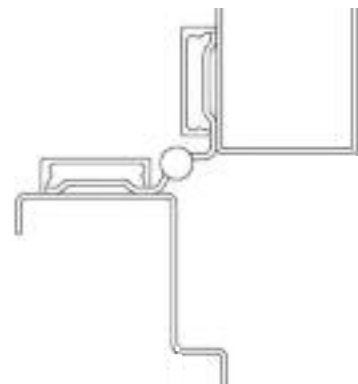
Consult the Factory on other available options

When installed on a 16 gage (or heavier) metal frame, hinge reinforcements are not required, nor are they recommended. However, if the frames are equipped with mortise hinge reinforcements, removal is not advised.

ANSI Cross Reference

Grade 1

ANSI / BHMA Standard A156.26



Door Open 90°

McKINNEY Hinge Catalog

Full Surface Flush Mount

Stainless Steel Continuous Hinge

McKinney
ASSA ABLOY

MCK-FS302

Heavy-Duty 14 Gauge, 304 stainless steel
Finished in 32D (630)

Available Sizes

| Door Size | Hinge Length | Hinge Length MM |
|-----------|--------------|-----------------|
| 6'8" | 78.75" | 2000.2 |
| 7'0" | 83.125" | 2111.4 |
| 7'2" | 85" | 2159.0 |
| 8'0" | 95" | 2413.0 |
| 10'0" | 118.75" | 3016.2 |

For flush doors. This surface mounted hinge can be used to repair both fire labeled and non-labeled doors that have very tight clearances, giving it a weather tight seal.



Classified in accordance with UBC code standard 7-2 for positive pressure

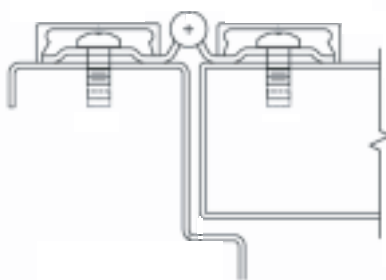
Fire Rating

3 hours- hollow metal doors mounted singly

90 minutes- hollow metal and composite core wood fire doors

20 minutes- wood doors

Door Closed



Mounting Hardware (1-3/4" Doors)

No exposed mounting fasteners when closed Universal screw pack includes 1/4-20 x 3/4 PPH Tek SD, Zinc #8 x 3/4" PHF Tek, Zinc Cover Clip

Fastener Cover

Brushed Aluminum

Capacity (1-3/4" Doors)

Supports weights up to 600lbs.
4'0" maximum door width

Hole Pattern

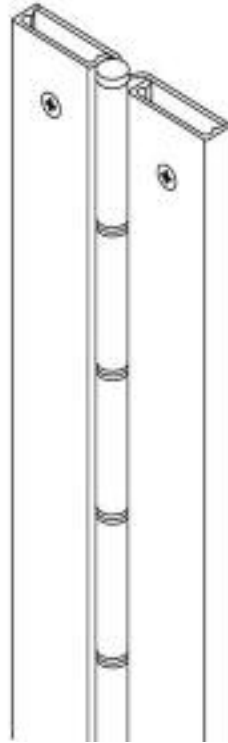
Symmetrically templated
Non-handed

Barrel Type Hinge

1/4" diameter stainless steel pin
Long-life split nylon bearings

Exterior Barrel Diameter

.438 (7/16)



OPTIONAL FEATURES

- 32 Bright Polished stainless (629)
- Custom lengths - specify handing and length in inches
- Brite dipped fastener cover
- 1-3/4" aluminum sleeve bolts

Options (Suffix may require handing)

- **DD** Dutch door hinges (DD Form Required)
- **HT** Hospital tips
- **MB** Medical Bearings
- **RB** Raised Barrel
- **LL** Lead-lined cover w/ 1/16" lead-lining

Consult the Factory on other available options

When installed on a 16 gage (or heavier) metal frame, hinge reinforcements are not required, nor are they recommended. However, if the frames are equipped with mortise hinge reinforcements, removal is not advised.

ANSI Cross Reference

Grade 1

ANSI / BHMA Standard A156.26



Door Open 90°

McKINNEY Hinge Catalog

Half Surface

Stainless Steel Continuous Hinge

McKinney[®]

ASSA ABLOY

MCK-HS303

Heavy-Duty 14 Gauge, 304 stainless steel
Finished in 32D (630)

Available Sizes

| Door Size | Hinge Length | Hinge Length MM |
|-----------|--------------|-----------------|
| 6'8" | 78.75" | 2000.2 |
| 7'0" | 83.125" | 2111.4 |
| 7'2" | 85" | 2159.0 |
| 8'0" | 95" | 2413.0 |
| 10'0" | 118.75" | 3016.2 |

This half-surface pin & barrel type continuous hinge can be used to repair both fire labeled and non-labeled openings. The hinge fits into the gap left after standard butt hinges are removed. It can assist in reversing the handing of a door, or to reverse the swing of a door hung in an evenly-rabbeted frame. (Please call the factory at 800-346-7707. for instructions on unevenly-rabbeted frames.)



Classified in accordance with UBC code standard 7-2 for positive pressure

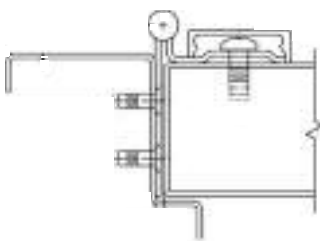
Fire Rating

3 hours- hollow metal doors mounted singly

90 minutes- hollow metal and composite core wood fire doors

20 minutes- wood doors

Door Closed



Mounting Hardware

Fastener screw pack includes
#10 x 7/8" PH U/C Self Drilling, 410 S.S.
#10 x 1-1/4" PH U/C S.S.
Cover Clip #8 x 3/4" PHF Tek, Zinc

Capacity (1-3/4" Doors)

Supports weights up to 600lbs.
4'0" maximum door width

Hole Pattern

Symmetrically templated
Non-handed

Barrel Type Hinge

1/4" diameter stainless steel pin
Long-life split nylon bearings

Exterior Barrel Diameter

.438 (7/16)

OPTIONAL FEATURES

- 32 Bright Polished stainless (629)
- Custom lengths - specify handing and length in inches
- Custom hole pattern
- Tamper-proof security screws
- Special sheared leaf

Options (Suffix may require handing)

- **DD** Dutch door hinges (DD Form Required)
- **HT** Hospital tips
- **MB** Medical Bearings
- **RB** Raised Barrel
- **LL** Lead-lined cover w/ 1/16" lead-lining

Electrical Modifications (Suffix requires handing)

- **PT** Power Transfer Prep (Cut out for frame leaf only) For Adams Rite, Securitron, Yale, Dorma & Centurion*
- **EPT** Power Transfer Prep (Cut out for frame leaf for frame leaf only) For Von Duprin*

Consult the Factory on other available options

* Power Transfer Location Template must accompany your order

When installed on a 16 gage (or heavier) metal frame, hinge reinforcements are not required, nor are they recommended. However, if the frames are equipped with mortise hinge reinforcements, removal is not advised.

ANSI Cross Reference

Grade 1
ANSI / BHMA Standard A156.26



Door Open 90°

McKINNEY Hinge Catalog

Edge Mount

Stainless Steel Continuous Hinge

McKinney®
ASSA ABLOY

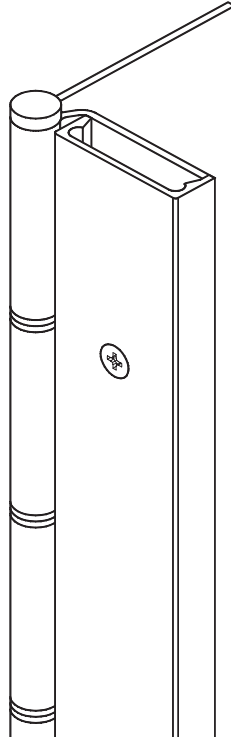
MCK-HM304

Heavy-Duty 14 Gauge 304 stainless steel
Finished in 32D (630)

Available Sizes

| Door Size | Hinge Length | Hinge Length MM |
|-----------|--------------|-----------------|
| 6'8" | 78.75" | 2000.2 |
| 7'0" | 83.125" | 2111.4 |
| 7'2" | 85" | 2159.0 |
| 8'0" | 95" | 2413.0 |
| 10'0" | 118.75" | 3016.2 |

This pin & barrel type hinge is used to repair wooden doors that have split, or are chipped and dented from traffic abuse. The surface mounted frame leaf allows for easy retrofit installation. This hinge can be used to reverse the handing or swing of the door without any modifications to the existing door.



Classified in accordance with UBC code standard 7-2 for positive pressure

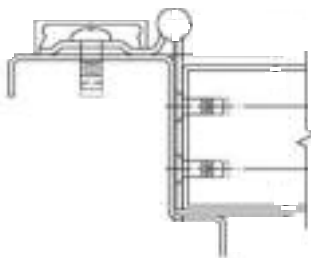
Fire Rating

3 hours- hollow metal doors mounted singly

90 minutes- hollow metal and composite core wood fire doors

20 minutes- wood doors

Door Closed



Mounting Hardware

No exposed mounting fasteners when closed

Fastener screw pack includes
#10 x 7/8" PH U/C Self Drilling, 410 S.S.
#10 x 1-1/4" PH U/C S.S.
1/4-20 x 1-3/4" Sleeve Bolt SS
Cover Clip #8 x 3/4" PHF Tek, Zinc

Capacity (1-3/4" Doors)

Supports weights up to 600lbs.
4'0" maximum door width

Hole Pattern

Symmetrically templated
Non-handed

Barrel Type Hinge

1/4" diameter stainless steel pin
Long-life split nylon bearings

Exterior Barrel Diameter

.438 (7/16)

OPTIONAL FEATURES

- 32 Bright Polished stainless (629)
- Custom lengths - specify handing and length in inches
- Custom lengths - specify in inches
- Custom hole pattern
- Tamper-proof security screws
- Special sheared leaf

Options (Suffix may require handing)

- **DD** Dutch door hinges (DD Form Required)
- **HT** Hospital tips
- **MB** Medical Bearings
- **RB** Raised Barrel

Electrical Modifications (Suffix requires handing)

- **PT** Power Transfer Prep (Cut out door leaf only)
For Adams Rite, Securitron, Yale, Dorma & Centurion *
- **EPT** Power Transfer Prep (Cut out door leaf only) For Von Duprin *

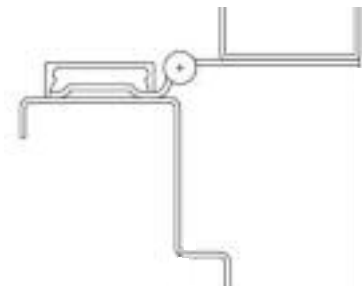
Consult the Factory on other available options

* Power Transfer Location Template must accompany your order

When installed on a 16 gage (or heavier) metal frame, hinge reinforcements are not required, nor are they recommended. However, if the frames are equipped with mortise hinge reinforcements, removal is not advised.

ANSI Cross Reference

Grade 1
ANSI / BHMA Standard A156.26



Door Open 90°

McKINNEY Hinge Catalog

Hinge Guard

Stainless Steel Continuous Hinge

McKinney
ASSA ABLOY

MCK-HG305

Heavy-duty 14 Gauge 304 stainless steel
Finished in 32D (630)

Available Sizes

| Door Size | Hinge Length | Hinge Length MM |
|-----------|--------------|-----------------|
| 6'8" | 78.75" | 2000.2 |
| 7'0" | 83.125" | 2111.4 |
| 7'2" | 85" | 2159.0 |
| 8'0" | 95" | 2413.0 |
| 10'0" | 118.75" | 3016.2 |

This unique design answers the problem of adjusting doors where frames are not installed plumb or properly aligned. Not only that, but the wrap-around edge guard protects the door from unsightly dents and gouges and will deflect objects, preventing further damage. Strategically located fasteners coupled with the AdjustaScrew fastener allow the door to be adjusted up to 3/8" within the channel of the hinge and distribute the load of the door down the entire length of the jamb. The proper alignment of the door to the frame will allow your closers, panics magnetic locks, electronic strikes, and automatic operators to assist you in meeting all your life safety code requirements.



Classified in accordance with UBC code standard 7-2 for positive pressure

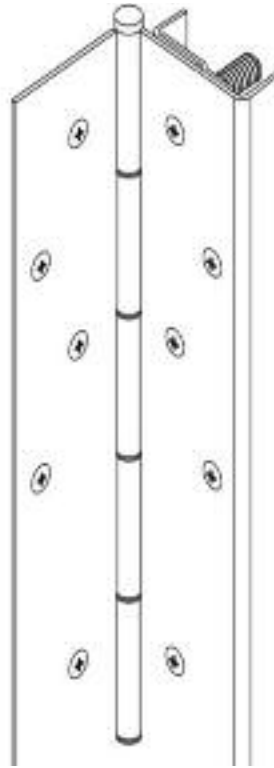
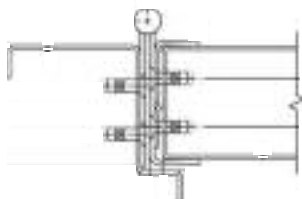
Fire Rating

3 hours- hollow metal doors mounted singly

90 minutes- hollow metal and composite core wood fire doors

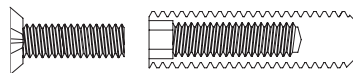
20 minutes- wood doors

Door Closed



Mounting Hardware

No exposed mounting fasteners when closed
Fastener screw pack includes
#10 x 7/8" PH U/C Self Drilling, 410 S.S.
#10 x 1-1/4" PH U/C S.S.
10-32 x 3/4" PH U/C S. S.
1-3/8" RH, 10-32 int., AdjustaScrews for correcting frame fit problems up to 3/8"



Capacity (1-3/4" Doors)

Supports weights up to 600lbs.
4'0" maximum door width

Hole Pattern

Symmetrically templated
Non-handed
For use on center hung lead lined doors

Barrel Type Hinge

1/4" diameter stainless steel pin
Long-life split nylon bearings

Exterior Barrel Diameter

.438 (7/16)

OPTIONAL FEATURES

- 32 Bright Polished stainless (629)
- Custom lengths - specify handing and length in inches
- Custom hole pattern
- Tamper-proof security screws
- Special sheared leaf

Options (Suffix may require handing)

• **DD** Dutch door hinges (DD Form Required)

• **HT** Hospital tips

• **MB** Medical Bearings

• **RB** Raised Barrel

Electrical Modifications

(Suffix requires handing)

• **AMS** Adjustable Monitoring Switch

• **CC** Concealed Circuit (4 or 8 Wire)

• **QC Electrolynx**® Concealed Circuit (4,8 or 12 Wire)

• **PT** Power Transfer Prep (Cut out Only)
For Adams Rite, Securitron, Yale, Dorma & Centurion *

• **EPT** Power Transfer Prep (Cut out Only)
For Von Duprin *

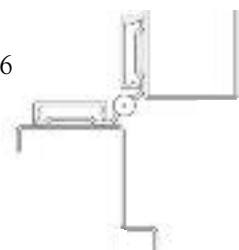
Consult the Factory on other available options

* Power Transfer Location Template must accompany your order

When installing on a hollow metal door application we strongly suggest reinforcement at the hinge side of the door for proper use of the Adjusta-Screw Assembly. This added reinforcement will ensure the proper amount of material for threading the Adjusta-Screw, giving the assembly the strength needed to last the life of the door. Remember to order your doors with reinforcement.

ANSI Cross Reference

Grade 1
ANSI / BHMA
Standard A156.26



Door Open 90°

McKINNEY Hinge Catalog

Hinge Guard

Stainless Steel Continuous Hinge

McKinney
ASSA ABLOY

MCK-HG306

Heavy-Duty 14 Gauge 304 stainless steel
Finished in 32D (630)

Available Sizes

| Door Size | Hinge Length | Hinge Length MM |
|-----------|--------------|-----------------|
| 6'8" | 78.75" | 2000.2 |
| 7'0" | 83.125" | 2111.4 |
| 7'2" | 85" | 2159.0 |
| 8'0" | 95" | 2413.0 |
| 10'0" | 118.75" | 3016.2 |

This barrel-type hinge is used with hollow metal frames and wood or hollow metal doors. The guard that wraps the door covers up dents, scratches, and splitting of the door. This product covers the door's edge and wraps the door face to prevent further damage. This hinge can also be used to reverse the swing of a door.



Classified in accordance with UBC code standard 7-2 for positive pressure

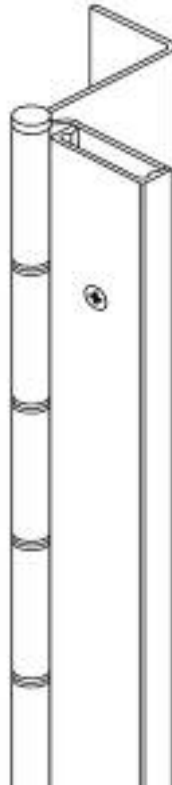
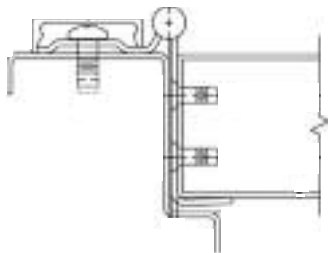
Fire Rating

3 hours- hollow metal doors mounted singly

90 minutes- hollow metal and composite core wood fire doors

20 minutes- wood doors

Door Closed



Mounting Hardware

No exposed mounting fasteners when closed
Fastener screw pack includes
#10 x 7/8" PH U/C Self Drilling, 410 S.S.
#10 x 1-1/4" PH U/C S.S.
Cover Clip
#8 x 3/4" PHF Tek, Zinc

Capacity (1-3/4" Doors)

Supports weights up to 600lbs.
4'0" maximum door width

Hole Pattern

Symmetrically templated
Non-handed

Barrel Type Hinge

1/4" diameter stainless steel pin
Long-life split nylon bearings

Exterior Barrel Diameter

.438 (7/16)

OPTIONAL FEATURES

- 32 Bright Polished
- Custom lengths - specify length in inches
- Custom hole pattern
- Tamper-proof security
- Special sheared leaf

Options (Suffix may require handing)

- **DD** Dutch door hinges (DD Form Required)
- **HT** Hospital tips
- **MB** Medical Bearings
- **RB** Raised Barrel

Electrical Modifications (Suffix requires handing)

- **PT** Power Transfer Prep (Cut out door leaf only) For Adams Rite, Securitron, Yale, Dorma & Centurion *
- **EPT** Power Transfer Prep (Cut out door leaf only) For Von Duprin *

Consult the Factory on other available options

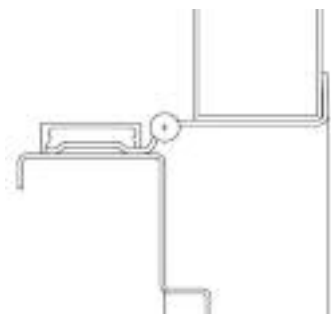
* Power Transfer Location Template must accompany your order

When installed on a 16 gauge (or heavier) metal frame, hinge reinforcements are not required, nor are they recommended. However, if the frames are equipped with mortise hinge reinforcements, removal is not advised.

ANSI Cross Reference

Grade 1

ANSI / BHMA Standard A156.26



Door Open 90°

McKINNEY Hinge Catalog

Full Surface, Swing Clear

Stainless Steel Continuous Hinge

McKinney[®]

ASSA ABLOY

MCK-FS309

Heavy-Duty 14 Gauge, 304 stainless steel
Finished in 32D (630)

Available Sizes

| Door Size | Hinge Length | Hinge Length MM |
|-----------|--------------|-----------------|
| 6'8" | 78.75" | 2000.2 |
| 7'0" | 83.125" | 2111.4 |
| 7'2" | 85" | 2159.0 |
| 8'0" | 95" | 2413.0 |
| 10'0" | 118.75" | 3016.2 |

This barrel-type hinge is used to ensure that a door opened to a 90-degree angle is removed from the opening. This hinge will mount on a 1 3/4" face, and is especially useful for ADA upgrade work and lead lined door conversion projects.



Classified in accordance with UBC code standard 7-2 for positive pressure

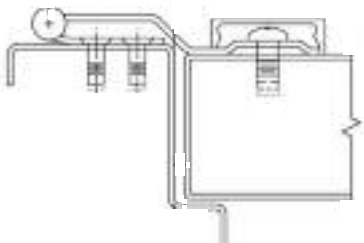
Fire Rating

3 hours- hollow metal doors mounted singly

90 minutes- hollow metal and composite core wood fire doors

20 minutes- wood doors

Door Closed



Mounting Hardware

No exposed mounting fasteners when closed
Fastener screw pack includes
#10 x 1-1/4" PH U/C S.S.
#10 x 7/8" PFH U/C SD, 410 SS
1/4-20 x 3/4 PPH Tek SD, Zinc
#8 x 3/4" PHF Tek, Zinc
Cover Clip

Fastener Cover

Brushed Aluminum

Capacity (1-3/4" Doors)

Supports weights up to 600lbs.
4'0" maximum door width

Hole Pattern

Symmetrically templated
Non-handed

Barrel Type Hinge

1/4" diameter stainless steel pin
Long-life split nylon bearings

Exterior Barrel Diameter

.438 (7/16)

OPTIONAL FEATURES

- 32 Bright Polished stainless (629)
- Custom lengths - specify handing and length in inches
- Brite dipped fastener cover
- 1-3/4" aluminum sleeve bolts

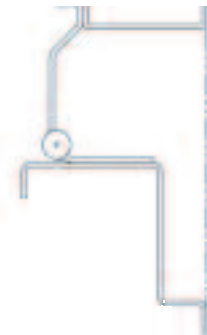
Options (Suffix may require handing)

- **DD** Dutch door hinges (DD Form Required)
- **HT** Hospital tips
- **MB** Medical Bearings
- **LL** Lead-lined cover w/ 1/16" lead-lining

Consult the Factory on other available options
When installed on a 16 gage (or heavier) metal frame, hinge reinforcements are not required, nor are they recommended. However, if the frames are equipped with mortise hinge reinforcements, removal is not advised.

ANSI Cross Reference

Grade 1
ANSI / BHMA Standard A156.26



Door Open 90°

McKINNEY Hinge Catalog

Edge Mount, Half-Wrap Edge Guard

Stainless Steel Continuous Hinge

McKinney
ASSA ABLOY

MCK-HG310

Heavy-duty 14 Gauge, 304 stainless steel
Finished in 32D (630)

Available Sizes

| Door Size | Hinge Length | Hinge Length MM |
|-----------|--------------|-----------------|
| 6'8" | 78.75" | 2000.2 |
| 7'0" | 83.125" | 2111.4 |
| 7'2" | 85" | 2159.0 |
| 8'0" | 95" | 2413.0 |
| 10'0" | 118.75" | 3016.2 |

ADA-compliant barrel-type hinge is used on operating room doors to swing the door out of the opening when moving equipment in and out. The hinge guard also protects the door from dents and gouges.



Classified in accordance with UBC code standard 7-2 for positive pressure

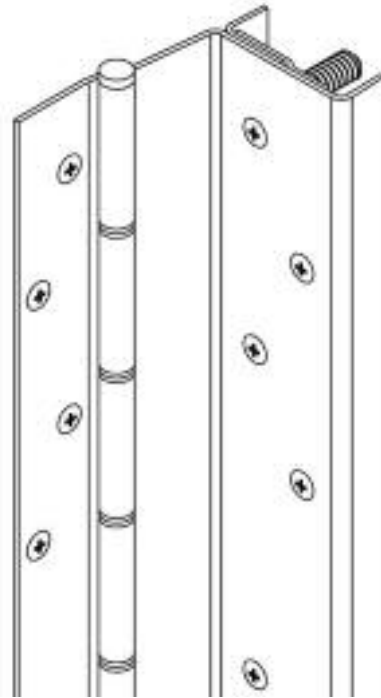
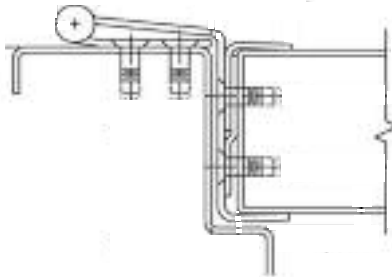
Fire Rating

3 hours- hollow metal doors mounted singly

90 minutes- hollow metal and composite core wood fire doors

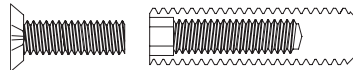
20 minutes- wood doors

Door Closed



Mounting Hardware

No exposed mounting fasteners when closed
Fastener screw pack includes
#10 x 7/8" PH U/C Self Drilling, 410 S.S.
#10 x 1-1/4" PH U/C S.S.
10-32 x 3/4" PH U/C S. S.
1-3/8" H, 10-32 int., AdjustaScrews for correcting frame fit problems up to 3/8"



Capacity (1-3/4" Doors)

Supports weights up to 600lbs.
4'0" maximum door width

Hole Pattern

Symmetrically templated
Non-handed
For use on center hung lead lined doors

Barrel Type Hinge

1/4" diameter stainless steel pin
Long-life split nylon bearings

Exterior Barrel Diameter

.438 (7/16)

OPTIONAL FEATURES

- 32 Bright Polished stainless (629)
- Bright dipped fastener cover
- Custom lengths - specify handing and length in inches
- Custom hole pattern
- Tamper-proof security screws
- Special sheared leaf

Options (Suffix may require handing)

- DD Dutch door hinges (DD Form Required)
- HT Hospital tips
- MB Medical Bearings
- RB Raised barrel

Tools

MTSP-100 Right angle skew driver for ease of installation

Consult the Factory on other available options

When installing on a hollow metal door application we strongly suggest reinforcement at the hinge side of the door for proper use of the Adjusta-Screw Assembly. This added reinforcement will ensure the proper amount of material for threading the Adjusta-Screw, giving the assembly the strength needed to last the life of the door. Remember to order your doors with reinforcement.

ANSI Cross Reference

Grade 1
ANSI / BHMA Standard A156.26



Door Open 90°

McKINNEY Hinge Catalog

Swing Clear, Half-Wrap Edge Guard

Stainless Steel Continuous Hinge

McKinney
ASSA ABLOY

MCK-HG311

Heavy-duty 14 Gauge, 304 stainless steel
 Finished in 32D (630)

Available Sizes

| Door Size | Hinge Length | Hinge Length MM |
|-----------|--------------|-----------------|
| 6'8" | 78.75" | 2000.2 |
| 7'0" | 83.125" | 2111.4 |
| 7'2" | 85" | 2159.0 |
| 8'0" | 95" | 2413.0 |
| 10'0" | 118.75" | 3016.2 |

ADA Compliance

This surface applied swing clear version allows doors to meet ADA requirements. The single wrap protects door edges from cart damage.



Classified in accordance with UBC code standard 7-2 for positive pressure

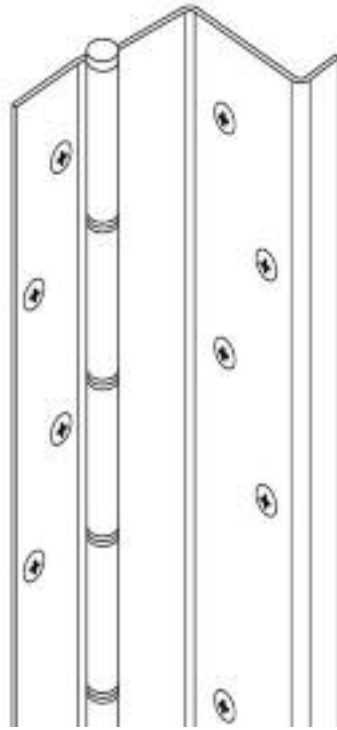
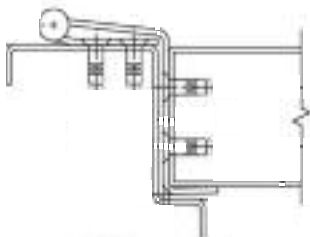
Fire Rating

3 hours- hollow metal doors mounted singly

90 minutes- hollow metal and composite core wood fire doors

20 minutes- wood doors

Door Closed



Mounting Hardware

No exposed mounting fasteners when closed

Fastener pack includes
 #10 x 7/8 PHF U/C SD 410 SS

#10 x 1-1/4" PHF U/C SS

Capacity (1-3/4" Doors)

Supports weights up to 600lbs.
 4'0" maximum door width

Hole Pattern

Symmetrically templated
 Non-handed

For use on center hung lead lined doors

Barrel Type Hinge

1/4" diameter stainless steel pin
 Long-life split nylon bearings

Exterior Barrel Diameter

.438 (7/16)

OPTIONAL FEATURES

- 32 Bright Polished stainless (629)
- Bright dipped fastener cover
- Custom lengths - specify handing and length in inches
- Custom hole pattern
- Tamper-proof security screws
- Special sheared leaf

Options (Suffix may require handing)

- **DD** Dutch door hinges (DD Form Required)
- **HT** Hospital tips
- **MB** Medical Bearings
- **RB** Raised barrel

Tools

MTSP-100 Right angle skew driver for ease of installation

Consult the Factory on available options

When installed on a 16 gage (or heavier) metal frame, hinge reinforcements are not required, nor are they recommended.

However, if the frames are equipped with mortise hinge reinforcements, removal is not advised.

NOTE:

If installing on beveled edge doors, the use of AdjustaScrews may be required to correct door and frame fit problems.

ANSI Cross Reference

Grade 1

ANSI / BHMA Standard A156.26



Door Open 90°

McKINNEY Hinge Catalog

Edge Mount, Half-Wrap Edge Guard

Stainless Steel Continuous Hinge

McKinney
ASSA ABLOY

MCK-HG315

Heavy-duty 14 Gauge, 304 stainless steel
Finished in 32D (630)

Available Sizes

| Door Size | Hinge Length | Hinge Length MM |
|-----------|--------------|-----------------|
| 6'8" | 78.75" | 2000.2 |
| 7'0" | 83.125" | 2111.4 |
| 7'2" | 85" | 2159.0 |
| 8'0" | 95" | 2413.0 |
| 10'0" | 118.75" | 3016.2 |

Featuring our unique edge guard, this economical hinge prevents objects being placed between the door and frame as well as protecting the door's edge while supporting the door's weight along the entire length of the jamb. The EG-C308 Edge Guard when used with this hinge makes for a nicely balanced look.



Classified in accordance with UBC code standard 7-2 for positive pressure

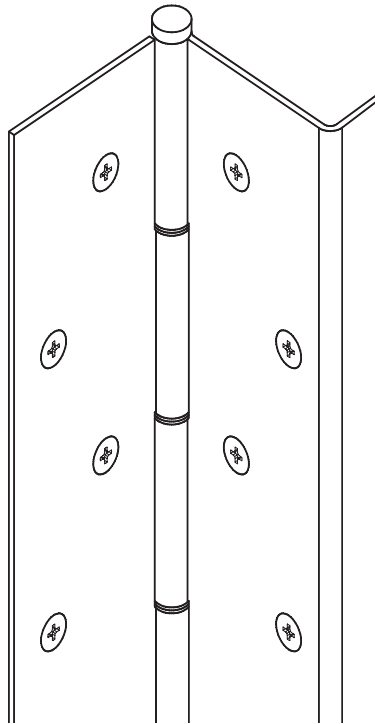
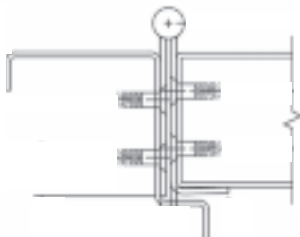
Fire Rating

3 hours- hollow metal doors mounted singly

90 minutes- hollow metal and composite core wood fire doors

20 minutes- wood doors

Door Closed



Mounting Hardware

No exposed mounting fasteners when closed

Fastener screw pack includes
#10 x 7/8" PFH U/C SD 410 SS
#10 x 1-1/4" PFH U/C SS

Capacity (1-3/4" Doors)

Supports weights up to 600lbs.
4'0" maximum door width

Hole Pattern

Symmetrically templated
Non-handed

For use on center hung lead lined doors

Barrel Type Hinge

1/4" diameter stainless steel pin
Long-life split nylon bearings

Exterior Barrel Diameter

.438 (7/16)

OPTIONAL FEATURES

- 32 Bright Polished stainless (629)
- Bright dipped fastener cover
- Custom lengths - specify handing and length in inches
- Custom hole pattern
- Tamper-proof security screws
- Special sheared leaf

Options (Suffix may require handing)

- **DD** Dutch door hinges (DD Form Required)
- **HT** Hospital tips
- **MB** Medical Bearings
- **RB** Raised barrel

Electrical Modifications (Suffix requires handing)

- **AMS** Adjustable Monitoring Switch
- **CC** Concealed Circuit (4 or 8 Wire)
- **QC** Electrolynx® Concealed Circuit (4, 8 or 12 Wire)
- **PT** Power Transfer Prep (Cut out Only) For Adams Rite, Securitron, Yale, Dorma & Centurion *
- **EPT** Power Transfer Prep (Cut out Only) For Von Duprin *

Consult the Factory on other available options

* Power Transfer Location Template must accompany your order

When installed on a 16 gage (or heavier) metal frame, hinge reinforcements are not required, nor are they recommended.

However, if the frames are equipped with mortise hinge reinforcements, removal is not advised.

ANSI Cross Reference

Grade 1
ANSI / BHMA Standard A156.26



Door Open 90°

McKINNEY Hinge Catalog

Full Surface, 3/4" Inset

Stainless Steel Continuous Hinge

McKinney[®]

ASSA ABLOY

MCK-FS321

Heavy-Duty 14 Gauge, stainless steel
Finished in 32D (630)

Available Sizes

| Door Size | Hinge Length | Hinge Length MM |
|-----------|--------------|-----------------|
| 6'8" | 78.75" | 2000.2 |
| 7'0" | 83.125" | 2111.4 |
| 7'2" | 85" | 2159.0 |
| 8'0" | 95" | 2413.0 |
| 10'0" | 118.75" | 3016.2 |

This surface mount pin & barrel model was developed to work in conjunction with existing 3/4" offset floor closers. Where top or intermediate pivots have worn and the floor closer will remain, the FS-321 is the solution to extending the life of the opening.



Classified in accordance with UBC code standard 7-2 for positive pressure

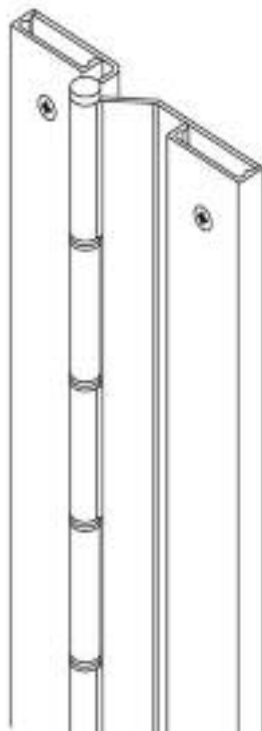
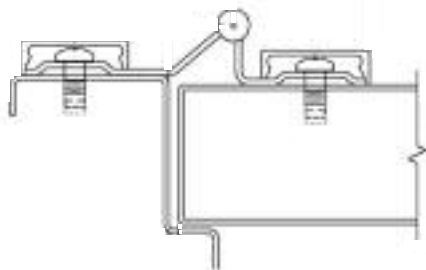
Fire Rating

3 hours- hollow metal doors mounted singly

90 minutes- hollow metal and composite core wood fire doors

20 minutes- wood doors

Door Closed



Mounting Hardware

No exposed mounting fasteners when closed

Fastener screw pack includes
1/4-20 x 3/4 PPH Tek SD Zinc
#8 x 3/4" PHF Tek, Zinc
Cover Clip

Fastener Cover

Brushed Aluminum

Capacity (1-3/4" Doors)

Supports weights up to 600lbs.
4'0" maximum door width

Hole Pattern

Symmetrically templated
Non-handed

Barrel Type Hinge

1/4" diameter stainless steel pin
Long-life split nylon bearings

Exterior Barrel Diameter

.438 (7/16)

OPTIONAL FEATURES

- DD Dutch door hinges (DD Form
- 32 Bright Polished stainless (629)
- Bright dipped fastener cover
- Custom lengths - specify handing and length in inches
- Custom hole pattern
- Tamper-proof security screws
- Special sheared leaf

Options (Suffix may require handing)

- DD Dutch door hinges (DD Form Required)
- HT Hospital tips
- MB Medical Bearings
- LL Lead lined cover with 1/16" lead lining

Consult the Factory on other available options

* Power Transfer Location Template must accompany your order

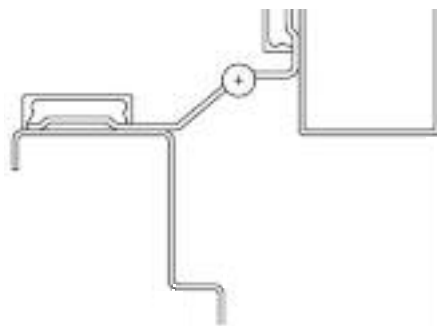
When installed on a 16 gage (or heavier) metal frame, hinge reinforcements are not required, nor are they recommended.

However, if the frames are equipped with mortise hinge reinforcements, removal is not advised.

ANSI Cross Reference

Grade 1

ANSI / BHMA Standard A156.26



Door Open 90°

McKINNEY Hinge Catalog

Edge Mount, Full-Wrap Hinge Guard

Stainless Steel Continuous Hinge

McKinney
ASSA ABLOY

MCK-HG322

Heavy-Duty 14 Gauge, 304 stainless steel
Finished in 32D (630)

Available Sizes

| Door Size | Hinge Length | Hinge Length MM |
|-----------|--------------|-----------------|
| 6'8" | 78.75" | 2000.2 |
| 7'0" | 83.125" | 2111.4 |
| 7'2" | 85" | 2159.0 |
| 8'0" | 95" | 2413.0 |
| 10'0" | 118.75" | 3016.2 |

All the features of the HG-305 Hinge/Guard plus 2" extensions. This unique design answers the problem of adjusting doors where frames are not installed plumb or properly aligned. Not only that, but the wrap-around edge guard protects the door from unsightly dents and gouges and will deflect objects, preventing further damage. Strategically located fasteners coupled with the AdjustaScrew fastener allow the door to be adjusted up to 3/8" within the channel of the hinge and distribute the load of the door down the entire length of the jamb. The proper alignment of the door to the frame will allow your closers, panics magnetic locks, electronic strikes, and automatic operators to assist you in meeting all your life safety code requirements.



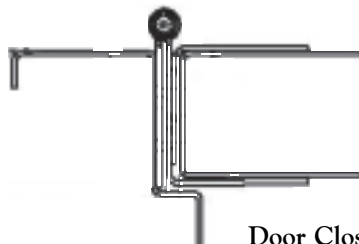
Classified in accordance with UBC code standard 7-2 for positive pressure

Fire Rating

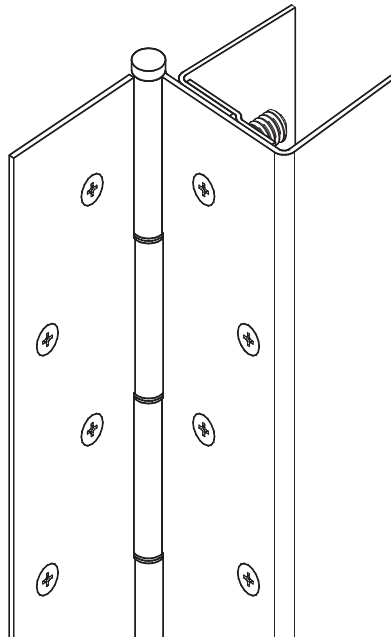
3 hours- hollow metal doors mounted singly

90 minutes- hollow metal and composite core wood fire doors

20 minutes- wood doors



Door Closed



Mounting Hardware

No exposed mounting fasteners when closed

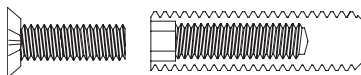
Fastener screw pack includes

#10 x 7/8" PH U/C Self Drilling, 410 S.S.

#10 x 1-1/4" PH U/C S.S.

10-32 x 3/4" PH U/C S.S.

1-3/8" RH, 10-32 int., AdjustaScrews for correcting frame fit problems up to 3/8"



Capacity (1-3/4" Doors)

Supports weights up to 600lbs.

4'0" maximum door width

Hole Pattern

Symmetrically templated

Non-handed

Barrel Type Hinge

1/4" diameter stainless steel pin

Long-life split nylon bearings

Exterior Barrel Diameter

.438 (7/16)

OPTIONAL FEATURES

- 32 Bright Polished stainless (629)
- Brite dipped fastener cover
- Custom lengths - specify handing and length in inches
- Custom hole pattern
- Tamper-proof security screws
- Special sheared leaf

Options (Suffix may require handing)

- **DD** Dutch door hinges (DD Form Required)
- **HT** Hospital tips
- **MB** Medical Bearings
- **RB** Raised barrel

Electrical Modifications (Suffix requires handing)

- **AMS** Adjustable Monitoring Switch
- **CC** Concealed Circuit (4 or 8 Wire)
- **QC Electrolynx®** Concealed Circuit (4, 8 or 12 Wire)
- **PT** Power Transfer Prep (Cut out Only) For Adams Rite, Securitron, Yale, Dorma & Centurion *
- **EPT** Power Transfer Prep (Cut out Only) For Von Duprin *

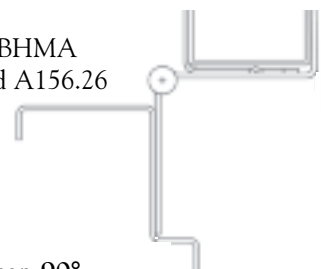
Consult the Factory on other available options

* Power Transfer Location Template must accompany your order

When installing on a hollow metal door application we strongly suggest reinforcement at the hinge side of the door for proper use of the Adjusta-Screw Assembly. This added reinforcement will ensure the proper amount of material for threading the Adjusta-Screw, giving the assembly the strength needed to last the life of the door. Remember to order your doors with reinforcement.

ANSI Cross Reference

Grade 1
ANSI / BHMA
Standard A156.26



Door Open 90°

McKINNEY Hinge Catalog

Edge Mount, Full-Wrap Hinge Guard

Stainless Steel Continuous Hinge

McKinney
ASSA ABLOY


MCK-HG323

Heavy-Duty 14, Gauge 304 stainless steel
 Finished in 32D (630)

Available Sizes

| Door Size | Hinge Length | Hinge Length MM |
|-----------|--------------|-----------------|
| 6'8" | 78.75" | 2000.2 |
| 7'0" | 83.125" | 2111.4 |
| 7'2" | 85" | 2159.0 |
| 8'0" | 95" | 2413.0 |
| 10'0" | 118.75" | 3016.2 |

This extended wrap model allows you to sandwich the door between two leafs of stainless steel and thru-bolt them together. Ideal for salvaging doors which have split. This hinge has all of the features of the MCK HG-305 plus 2" extensions.

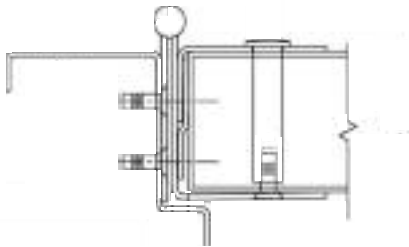
 Classified in accordance with UBC code standard 7-2 for positive pressure

Fire Rating

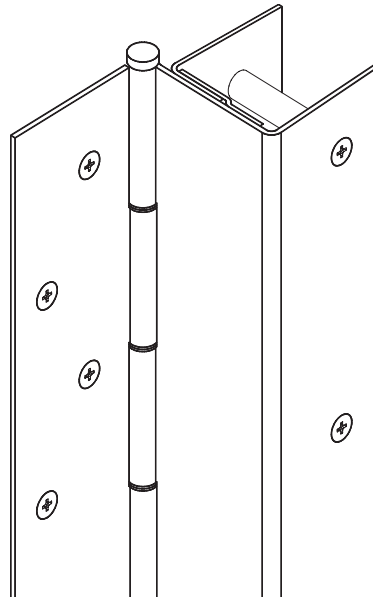
3 hours- hollow metal doors mounted singly

90 minutes- hollow metal and composite core wood fire doors

20 minutes- wood doors



Door Closed



Mounting Hardware

No exposed mounting fasteners when closed

Fastener screw pack includes

#10 x 7/8" PH U/C Self Drilling, 410 S.S.

#10 x 1-1/4" PH U/C S.S.

Capacity (1-3/4" Doors)

Supports weights up to 600lbs.

4'0" maximum door width

Hole Pattern

Symmetrically templated

Non-handed

Barrel Type Hinge

1/4" diameter stainless steel pin

Long-life split nylon bearings

Exterior Barrel Diameter

.438 (7/16)

OPTIONAL FEATURES

- 32 Bright Polished stainless (629)
- Brite dipped fastener cover
- Custom lengths - specify handing and length in inches
- Custom hole pattern
- Tamper-proof security screws
- Special sheared leaf

Options (Suffix may require handing)

- **DD** Dutch door hinges (DD Form Required)
- **HT** Hospital tips
- **MB** Medical Bearings
- **RB** Raised barrel

Electrical Modifications (Suffix requires handing)

- **AMS** Adjustable Monitoring Switch
- **CC** Concealed Circuit (4 or 8 Wire)
- **QC Electrolynx**® Concealed Circuit (4, 8 or 12 Wire)
- **PT** Power Transfer Prep (Cut out Only) For Adams Rite, Securitron, Yale, Dorma & Centurion *
- **EPT** Power Transfer Prep (Cut out Only) For Von Duprin *

Consult the Factory on other available options

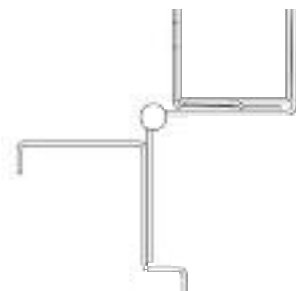
* Power Transfer Location Template must accompany your order

When installed on a 16 gage (or heavier) metal frame, hinge reinforcements are not required, nor are they recommended. However, if the frames are equipped with mortise hinge reinforcements, removal is not advised.

ANSI Cross Reference

Grade 1

ANSI / BHMA Standard A156.26



Door Open 90°

McKINNEY Hinge Catalog

Swing Clear, Full-Wrap Hinge Guard

Stainless Steel Continuous Hinge McKINNEY

McKinney®

ASSA ABLOY

MCK-HG326

Heavy-duty 14, Gauge 304 stainless steel
Finished in 32D (630)

Available Sizes

| Door Size | Hinge Length | Hinge Length MM |
|-----------|--------------|-----------------|
| 6'8" | 78.75" | 2000.2 |
| 7'0" | 83.125" | 2111.4 |
| 7'2" | 85" | 2159.0 |
| 8'0" | 95" | 2413.0 |
| 10'0" | 118.75" | 3016.2 |

This unique design solves the problem of aligning doors and locking mechanisms crucial in any security application. It also solves the problem when adjusting doors where frames are not installed plumb or properly aligned. The incorporated edge guard protects the door from unsightly dents and gouges while also protecting the hinge from vandalism. The proper alignment of the door to the frame will allow your closers, panics, magnetic locks, electronic strikes and automatic operators to assist you in meeting all your life safety code requirements.



Classified in accordance with UBC code standard 7-2 for positive pressure

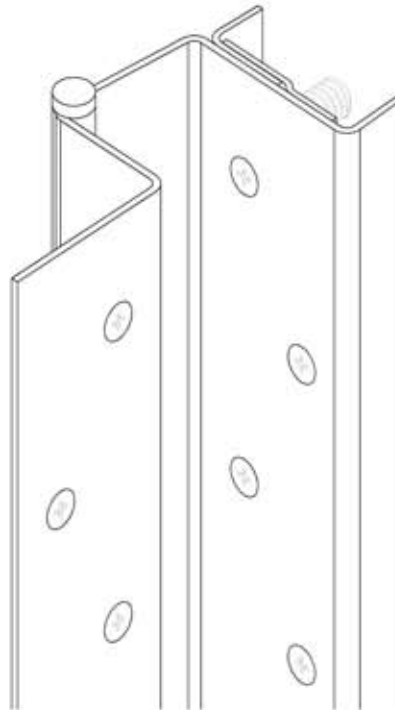
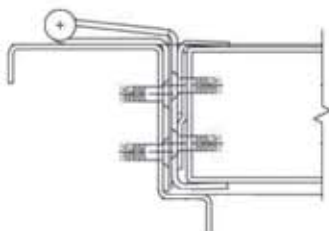
Fire Rating

3 hours- hollow metal doors mounted singly

90 minutes- hollow metal and compositecore wood fire doors

20 minutes- wood doors

Door Closed



Mounting Hardware

No exposed mounting fasteners when closed. Fastener screw pack includes:
 #10 x 7/8" PH U/C Self Drilling, 410 S.S.
 #10 x 1-1/4" PH U/C S.S.
 10-32 x 3/4" PH U/C S. S.
 1-3/8" RH, 10-32 int., AdjustaScrews for correcting frame fit problems up to 3/8"



Capacity (1-3/4" Doors)

Supports weights up to 600lbs.
4'0" maximum door width

Hole Pattern

Symmetrically templated
Non-handed

Barrel Type Hinge

1/4" diameter stainless steel pin
Long-life split nylon bearings

Exterior Barrel Diameter

.438 (7/16)

OPTIONAL FEATURES

Door Edge

- Specify square of beveled edge
- 32 Bright Polished stainless (629)
- Custom lengths - specify handing and length in inches
- Custom lengths - specify in inches
- Custom hole pattern
- Tamper-proof security screws
- Special sheared leaf

Options (Suffix may require handing)

- DD Dutch door hinges (DD Form Required)
- HT Hospital tips
- MB Medical Bearings
- RB Raised barrel

Consult the Factory on other available options

When installing on a hollow metal door application we strongly suggest reinforcement at the hinge side of the door for proper use of the Adjusta-Screw Assembly. This added reinforcement will ensure the proper amount of material for threading the Adjusta-Screw, giving the assembly the strength needed to last the life of the door. Remember to order your doors with reinforcement.

ANSI Cross Reference

Grade 1

ANSI / BHMA Standard A156.26



Door Open 90°

McKINNEY Hinge Catalog

Edge Mount, Safety Hinge

Stainless Steel Continuous Hinge

McKinney[®]

ASSA ABLOY

MCK-FM327

Heavy-duty 14 Gauge, 304 stainless steel
Finished in 32D (630)

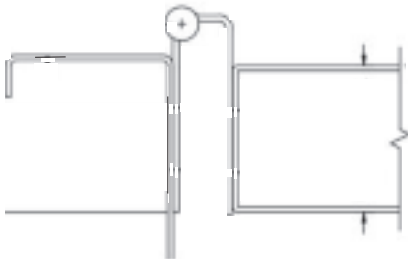
Available Sizes

| Door Size | Hinge Length | Hinge Length MM |
|-----------|--------------|-----------------|
| 6'8" | 78.75" | 2000.2 |
| 7'0" | 83.125" | 2111.4 |
| 7'2" | 85" | 2159.0 |
| 8'0" | 95" | 2413.0 |
| 10'0" | 118.75" | 3016.2 |

This unique design prevents small fingers from getting pinched in the door. It is ideal for elementary schools, day care, childcare, and nursing home facilities. This full-length continuous hinge also provides privacy by blocking sight lines into rooms. The hinge must be used with a cased open type frame.

This Hinge is not fire rated.

Door Closed



Mounting Hardware

No exposed mounting fasteners when closed

Fastener screw pack includes
#10 x 7/8" PH U/C Self Drilling, 410 S.S.
#10 x 1-1/4" PH U/C S.S.

Capacity (1-3/4" Doors)

Supports weights up to 600lbs.
4'0" maximum door width

Hole Pattern

Symmetrically templated
Non-handed
For use on center hung lead lined doors

Barrel Type Hinge

1/4" diameter stainless steel pin
Long-life split nylon bearings

Exterior Barrel Diameter

.438 (7/16)



OPTIONAL FEATURES

- 32 Bright Polished stainless (629)
- Custom lengths - specify handing and length in inches
- Custom hole pattern
- Torx Security Screws 1/2 x 12-24
- Special sheared leaf

Options (Suffix may require handing)

- **DD** Dutch door hinges (DD Form Required)
- **HT** Hospital tips
- **MB** Medical Bearings
- **RB** Raised barrel

Electrical Modifications (Suffix requires handing)

- **PT** Power Transfer Prep (Cut out Only) For Adams Rite, Securitron, Yale, Dorma & Centurion *
- **EPT** Power Transfer Prep (Cut out Only) For Von Duprin *

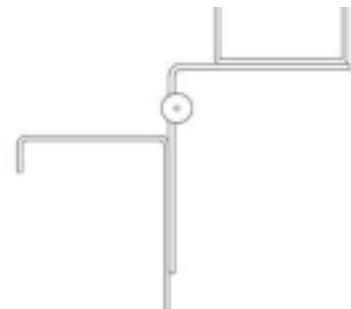
Consult the Factory on other available options

* Power Transfer Location Template must accompany your order

When installed on a 16 gage (or heavier) metal frame, hinge reinforcements are not required, nor are they recommended. However, if the frames are equipped with mortise hinge reinforcements, removal is not advised.

ANSI Cross Reference

Grade 1
ANSI / BHMA Standard A156.26



Door Open 90°

McKINNEY Hinge Catalog

Edge Mount Security

Stainless Steel Continuous Hinge

McKinney
ASSA ABLOY

MCK-FM3500

Heavy-duty 12 Gauge (.105"), 304 stainless steel
 Finished in 32D (630)

Available Sizes

| Door Size | Hinge Length | Hinge Length MM |
|-----------|--------------|-----------------|
| 6'8" | 78.75" | 2000.2 |
| 7'0" | 83.125" | 2111.4 |
| 7'2" | 85" | 2159.0 |
| 8'0" | 95" | 2413.0 |
| 10'0" | 118.75" | 3016.2 |

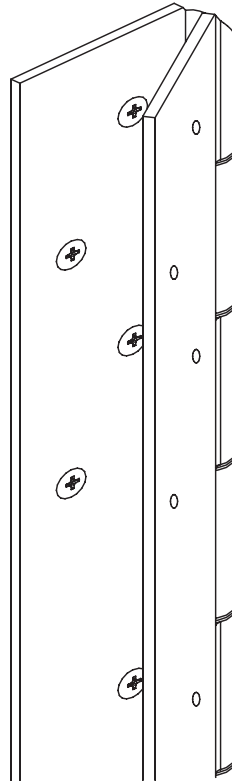
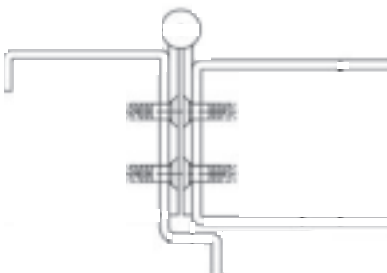
This hospital tip, edge mount pin and barrel type hinge is fabricated with extra-heavy duty components for use on high traffic, high abuse doors. The hinge is specially designed and well suited for correctional facilities and other high security locations using 2" thick swing-type doors. Prison doors, gates, extremely tall doors and extra heavy doors are all good candidates for the 3500 Security Hinge.

Abuse Testing

Exceeds ASTM-F-1450-A

-The MCK-FM3500 was subjected to a series of impacts generated by a Ram Pendulum System. 400 blows were delivered to the lock, 100 to the corner of the vision lite and 150 each to three separate locations along the hinge. In order to pass, the door assembly cannot be damaged to the extent that forcible egress can be achieved, and the door must be capable of being unlocked normally.

Door Closed



Mounting Hardware

No exposed mounting fasteners when closed

#1/2x12-24 PFHMS U/C S.S.

Capacity (2" Doors)

Supports weights up to 900lbs.
 4'0" maximum door width

Hole Pattern

Symmetrically templated
 Non-handed

For use on center hung lead lined doors

Barrel Type Hinge

1/4" diameter stainless steel pin
 Long-life split nylon bearings

Exterior Barrel Diameter .510

OPTIONAL FEATURES

- 32 Bright Polished stainless (629)
- Custom lengths - specify handing and length in inches
- Custom hole pattern
- Plug weld hole pattern
- Torx Security Screws 1/2 x 12-24
- Special sheared leaf
- Security Stud Option

Options (Suffix may require handing)

- DD Dutch door hinges (DD Form Required)
- HT Hospital tips
- RB Raised barrel

Electrical Modifications (Suffix requires handing)

- AMS Adjustable Monitoring Switch
- CC Concealed Circuit (4 or 8 Wire)
- QC Electrolynx® Concealed Circuit (4, 8 or 12 Wire)
- PT Power Transfer Prep (Cut out Only) For Adams Rite, Securitron, Yale, Dorma & Centurion*
- EPT Power Transfer Prep (Cut out Only) For Von Duprin*

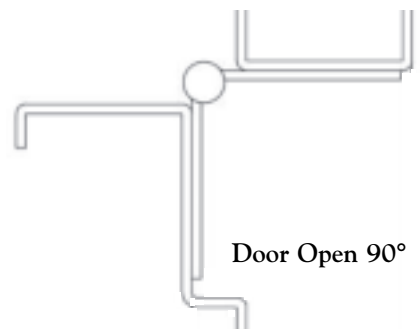
Consult the Factory on other available options

* Power Transfer Location Template must accompany your order

When installed on a 16 gage (or heavier) metal frame, hinge reinforcements are not required, nor are they recommended. However, if the frames are equipped with mortise hinge reinforcements, removal is not advised.

ANSI Cross Reference

Grade 1
 ANSI / BHMA Standard A156.26



Door Open 90°

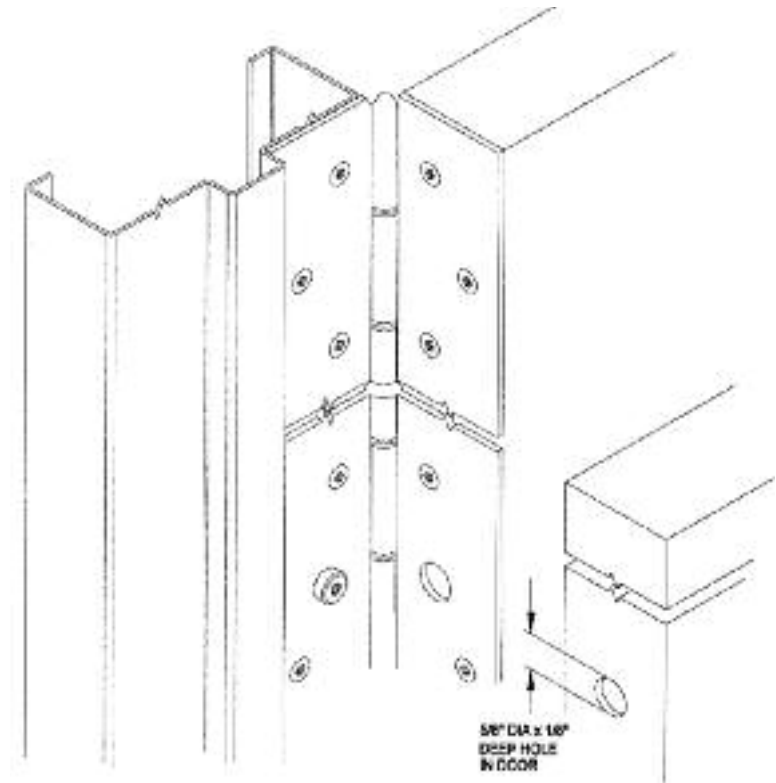
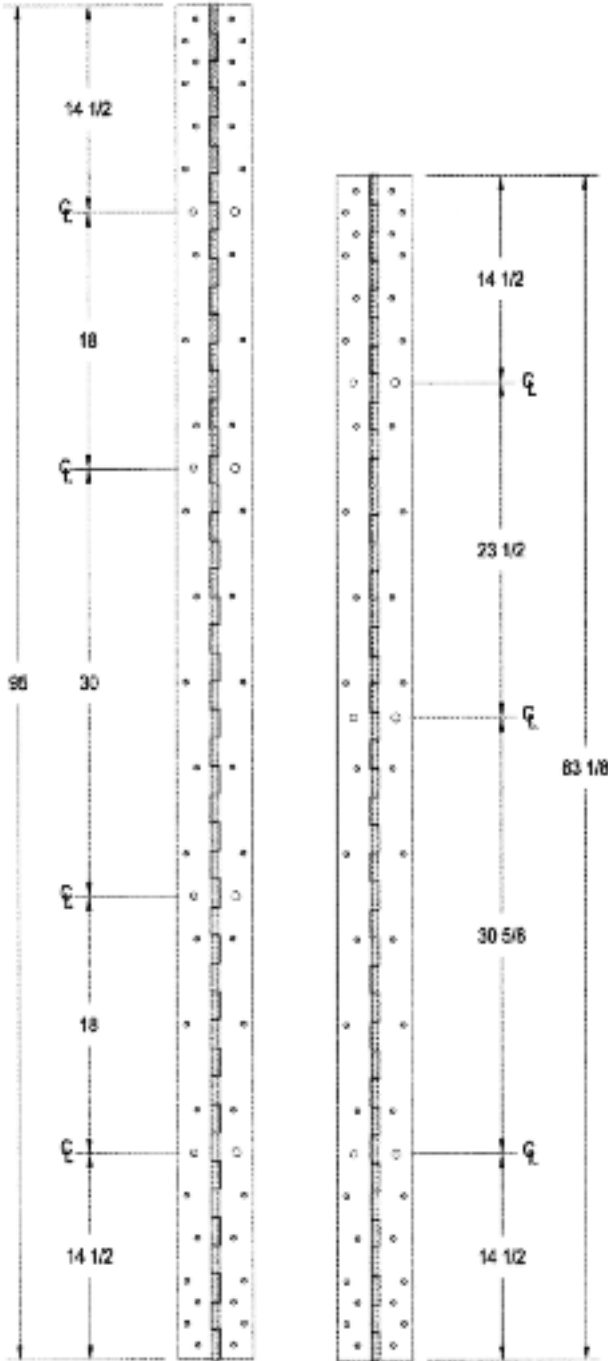
McKINNEY Hinge Catalog

FM-3500 SECURITY STUD LOCATIONS FOR 8' 0" & 7' 0"

A 5/8" x 1/8" hole is required in the door to receive the security stud.

FM-3500 SECURITY STUD OPTION

The 1/2" diameter x 1/4" projected 304 stainless Security Stud is permanently mounted to the frame leaf and extends through the door leaf into the door for added security. There are 3 Security Studs required for the 7'0" hinge and 4 required for the 8'0" hinge. A 5/8" x 1/8" hole is required in the door to receive the Security Stud.



McKINNEY Hinge Catalog

Full Surface Security, for 1/8" Inset Doors

Stainless Steel Continuous Hinge

McKinney®
ASSA ABLOY

MCK-FS3501

Heavy-Duty 12 gauge (.105), 304 stainless steel material.
Finished in 32D (630)

Available Sizes

| Door Size | Hinge Length | Hinge Length MM |
|-----------|--------------|-----------------|
| 6'8" | 78.75" | 2000.2 |
| 7'0" | 83.125" | 2111.4 |
| 7'2" | 85" | 2159.0 |
| 8'0" | 95" | 2413.0 |
| 10'0" | 118.75" | 3016.2 |

For 1/8" inset doors. This hinge allows for perfect alignment for the retrofitting of doors in correctional facilities and other high security locations using 2" thick swing-type doors. Prison doors, gates, extremely tall doors and extra heavy doors are all good candidates for the 3501 Security Hinge.

Abuse Testing

Exceeds ASTM-F-1450-92



Classified in accordance with UBC code standard 7-2 for positive pressure

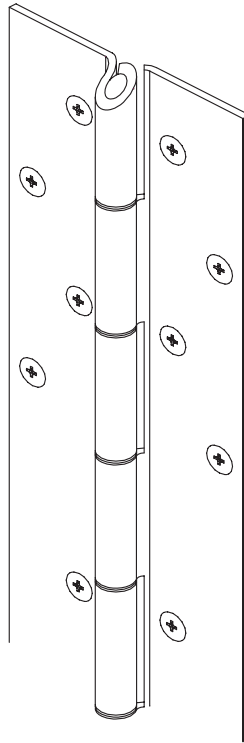
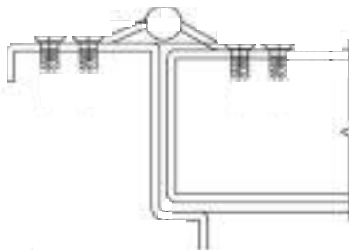
Fire Rating

3 hours- hollow metal doors mounted singly

90 minutes- hollow metal and composite core wood fire doors

20 minutes- wood doors

Door Closed



Mounting Hardware

No exposed mounting fasteners when closed

#1/2 x 12-24 PFHMS U/C S.S.

Capacity (2" Doors)

Supports weights up to 900lbs.

4'0" maximum door width

Hole Pattern

Symmetrically templated

Non-handed

For use on center hung lead lined doors

Barrel Type Hinge

1/4" diameter stainless steel pin

Long-life split nylon bearings

Exterior Barrel Diameter .510

OPTIONAL FEATURES

- 32 Bright Polished stainless (629)
- Bright dipped fastener cover
- Custom lengths - specify handing and length in inches
- Custom hole pattern
- Plug weld hole pattern
- Tamper-proof security screws
- Special sheared leaf

Options (Suffix may require handing)

- **DD** Dutch door hinges (DD Form Required)
- **RB** Raised barrel

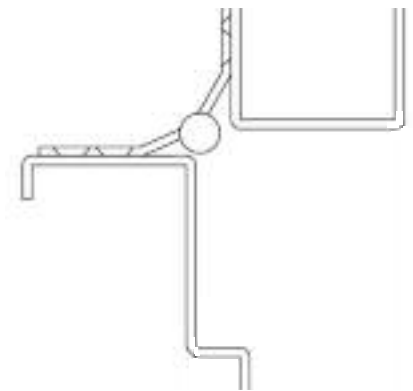
Consult the Factory on other available options

When installed on a 16 gage (or heavier) metal frame, hinge reinforcements are not required, nor are they recommended. However, if the frames are equipped with mortise hinge reinforcements, removal is not advised.

ANSI Cross Reference

Grade 1

ANSI / BHMA Standard A156.26



Door Open 90°

McKINNEY Hinge Catalog

Edge Mount

Stainless Steel Continuous Hinge

McKinney[®]

ASSA ABLOY

MCK-FS3502

Heavy-Duty 12 gauge (.105), 304 stainless steel material
Finished in 32D (630)

Available Sizes

| Door Size | Hinge Length | Hinge Length MM |
|-----------|--------------|-----------------|
| 6'8" | 78.75" | 2000.2 |
| 7'0" | 83.125" | 2111.4 |
| 7'2" | 85" | 2159.0 |
| 8'0" | 95" | 2413.0 |
| 10'0" | 118.75" | 3016.2 |

This surface-mounted pin and barrel type hinge is fabricated with extra-heavy duty components and designed for solving door sag problems on high traffic - high abuse doors. This hinge is well suited for correctional facilities and other high security locations using 2" thick swing type doors. Prison doors, gates extremely tall doors and extra heavy doors are all good candidates for this 3502 Security Hinge.

Abuse Testing

Exceeds ASTM-F-1450-92



Classified in accordance with UBC code standard 7-2 for positive pressure

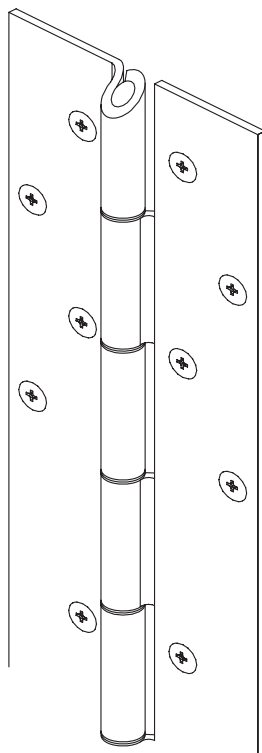
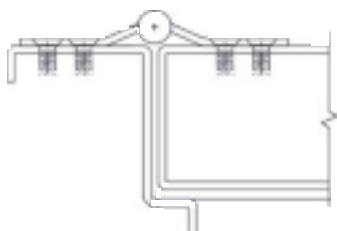
Fire Rating

3 hours- hollow metal doors mounted singly

90 minutes- hollow metal and composite core wood fire doors

20 minutes- wood doors

Door Closed



Mounting Hardware

No exposed mounting fasteners when closed

#1/2 x 12-24 PFHMS U/C S.S.

Capacity (2" Doors)

Supports weights up to 900lbs.
4'0" maximum door width(2" Doors)

Hole Pattern

Symmetrically templated
Non-handed

For use on center hung lead lined doors

Barrel Type Hinge

1/4" diameter stainless steel pin
Long-life split nylon bearings

Exterior Barrel Diameter .510

OPTIONAL FEATURES

- 32 Bright Polished stainless (629)
- Custom lengths - specify handing and length in inches
- Custom hole pattern
- Plug weld hole pattern
- Tamper-proof security screws
- Special sheared leaf

Options (Suffix may require handing)

- **DD** Dutch door hinges (DD Form Required)
- **RB** Raised barrel

Consult the Factory on other available options

When installed on a 16 gage (or heavier) metal frame, hinge reinforcements are not required, nor are they recommended. However, if the frames are equipped with mortise hinge reinforcements, removal is not advised.

ANSI Cross Reference

Grade 1

ANSI / BHMA Standard A156.26



Door Open 90°

McKINNEY Hinge Catalog

Edge Mount

Stainless Steel Continuous Hinge

McKinney
ASSA ABLOY

MCK-HG3505

Heavy-duty 12 Gauge (.105"), hinge leafs; 16 Gauge returns on door leaf, 304 stainless steel
Finished in 32D (630)

Available Sizes

| Door Size | Hinge Length | Hinge Length MM |
|-----------|--------------|-----------------|
| 6'8" | 78.75" | 2000.2 |
| 7'0" | 83.125" | 2111.4 |
| 7'2" | 85" | 2159.0 |
| 8'0" | 95" | 2413.0 |
| 10'0" | 118.75" | 3016.2 |

This unique design solves the problem of aligning doors and locking mechanisms crucial in any security application. It also solves the problem when adjusting doors where frames are not installed plumb or properly aligned. The incorporated edge guard protects the door from unsightly dents and gouges while also protecting the hinge from vandalism. The proper alignment of the door to the frame will allow your closers, panics, magnetic locks, electronic strikes and automatic operators to assist you in meeting all your life safety code requirements.



Classified in accordance with UBC code standard 7-2 for positive pressure

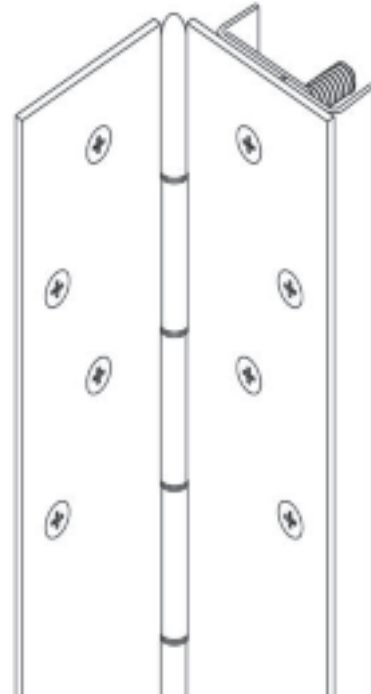
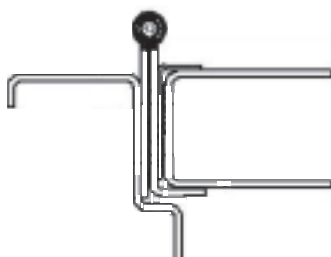
Fire Rating

3 hours- hollow metal doors mounted singly

90 minutes- hollow metal and composite core wood fire doors

20 minutes- wood doors

Door Closed

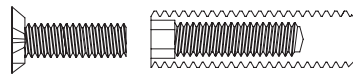


Mounting Hardware

No exposed mounting fasteners when closed

12-24 S.S. Phillips F.H.M.S.

1-3/8 RH, 12-24 int., Adjusta Screws for correcting alignment problems up to 3/8"



Capacity (2" Doors)

Supports weights up to 900lbs.

4'0" maximum door width

Hole Pattern

Symmetrically templated

Non-handed

For use on center hung lead lined doors

Barrel Type Hinge

1/4" diameter stainless steel pin

Long-life split nylon bearings

Exterior Barrel Diameter

.438 (7/16)

OPTIONAL FEATURES

- 32 Bright Polished stainless (629)
- Custom lengths - specify handing and length in inches
- Custom hole pattern
- Tamper-proof security screws
- Special sheared leaf

Options (Suffix may require handing)

- **DD** Dutch door hinges (DD Form Required)
- **RB** Raised barrel

Electrical Modifications (Suffix requires handing)

- **AMS** Adjustable Monitoring Switch
- **CC** Concealed Circuit (4 or 8 Wire)
- **QC Electrolynx**® Concealed Circuit (4, 8 or 12 Wire)
- **PT** Power Transfer Prep (Cut out Only) For Adams Rite, Securitron, Yale, Dorma & Centurion *
- **EPT** Power Transfer

Consult the Factory on other available options

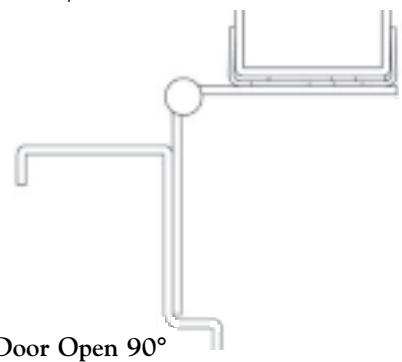
* Power Transfer Location Template must accompany your order

When installing on a hollow metal door application we strongly suggest reinforcement at the hinge side of the door for proper use of the Adjusta-Screw Assembly. This added reinforcement will ensure the proper amount of material for threading the Adjusta-Screw, giving the assembly the strength needed to last the life of the door. Remember to order your doors with reinforcement.

ANSI Cross Reference

Grade 1

ANSI / BHMA Standard A156.26



Door Open 90°

McKINNEY Hinge Catalog

Edge Mount

Stainless Steel Continuous Hinge

McKinney
ASSA ABLOY

MCK-FM3700

Heavy-duty 14 Gauge, 1012 carbon steel, Gray Powder Coat

Available Sizes

| Door Size | Hinge Length | Hinge Length MM |
|-----------|--------------|-----------------|
| 6'8" | 78.75" | 2000.2 |
| 7'0" | 83.125" | 2111.4 |
| 7'2" | 85" | 2159.0 |
| 8'0" | 95" | 2413.0 |
| 10'0" | 118.75" | 3016.2 |

This edge-mounted pin & barrel type hinge is used on many of today's high traffic, high abuse doors. The hinge works well in locations that used anchor hinges, pivot reinforcement hinges or thrust pivot unit and hinge sets. This hinge saves on special door and frame preparation charges and makes the installer's job easier. It can be used on both fire labeled and non-labeled openings.



Classified in accordance with UBC code standard 7-2 for positive pressure

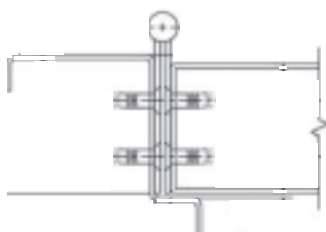
Fire Rating

3 hours- hollow metal doors mounted singly

90 minutes- hollow metal and composite core wood fire doors

20 minutes- wood doors

Door Closed



Mounting Hardware

No exposed mounting fasteners when closed

Fastener screw pack includes #10 x 7/8" PH U/C Self Drilling, Zinc

#10 x 1-1/4" PH U/C Zinc

Capacity (1-3/4" Doors)

Supports weights up to 600 lbs.

4'0" maximum door width

Hole Pattern

Symmetrically templated

Non-handed

For use on center hung lead lined doors

Barrel Type Hinge

1/4" diameter stainless steel pin

Long-life split nylon bearings

Exterior Barrel Diameter

.438 (7/16)

OPTIONAL FEATURES

- Custom lengths - specify handing and length in inches
- Custom hole pattern
- Tamper-proof security screws
- Special sheared leaf

Options (Suffix may require handing)

- **DD** Dutch door hinges (DD Form Required)

- **HT** Hospital tips

- **RB** Raised barrel

Electrical Modifications (Suffix)

- **CC** Concealed Circuit (4 or 8 Wire)

- **QC Electrolynx**® Concealed Circuit (4, 8 or 12 Wire)

- **PT** Power Transfer Prep (Cut out Only) For Adams Rite, Securitron, Yale, Dorma & Centurion *

- **EPT** Power Transfer

Consult the Factory on other available options

* Power Transfer Location Template must accompany your order

When installed on a 16 gage (or heavier) metal frame, hinge reinforcements are not required, nor are they recommended. However, if the frames are equipped with mortise hinge reinforcements, removal is not advised.

ANSI Cross Reference

Grade 2

ANSI / BHMA Standard A156.26



Door Open 90°

McKINNEY Hinge Catalog

Full Surface, 1/8" Inset Steel Continuous Hinge

McKinney
ASSA ABLOY

MCK-FS3701

Heavy-duty 14 Gauge 1012 carbon steel, Gray Powder Coat

Available Sizes

| Door Size | Hinge Length | Hinge Length MM |
|-----------|--------------|-----------------|
| 6'8" | 78.75" | 2000.2 |
| 7'0" | 83.125" | 2111.4 |
| 7'2" | 85" | 2159.0 |
| 8'0" | 95" | 2413.0 |
| 10'0" | 118.75" | 3016.2 |

For 1/8" inset doors. This surface-mounted pin & barrel type continuous hinge can be used to repair both fire labeled and nonlabeled doors that have very tight clearances. The hinge has a built-in 1/8" offset to assist in weather seal and sound barrier areas.



Classified in accordance with UBC code standard 7-2 for positive pressure

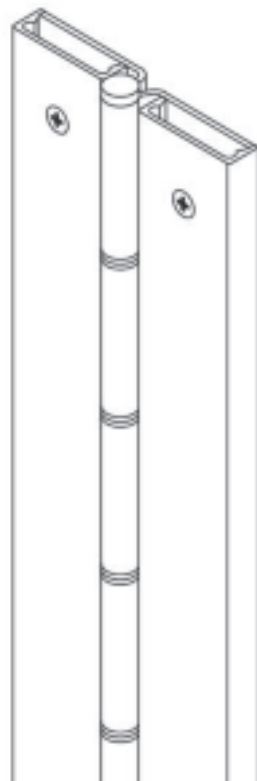
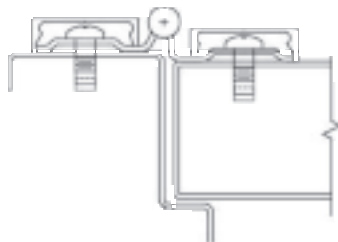
Fire Rating

3 hours- hollow metal doors mounted singly

90 minutes- hollow metal and composite core wood fire doors

20 minutes- wood doors

Door Closed



Mounting Hardware

No exposed mounting fasteners when closed

Fastener screw pack includes 1/4-20 x 3/4" PPH Tek, SD, Zinc #8 x 3/4 PFH Tek, Zonk Cover Clip

Fastener Cover

Brushed Aluminum

Capacity (1-3/4" Doors)

Supports weights up to 600 lbs. 4'0" maximum door width

Hole Pattern

Symmetrically templated Non-handed

For use on center hung lead lined doors

Barrel Type Hinge

1/4" diameter stainless steel pin Long-life split nylon bearings

Exterior Barrel Diameter

.438 (7/16)

OPTIONAL FEATURES

- Custom lengths - specify handing and length in inches
- 1-3/4" aluminum sleeve bolts

Options (Suffix may require handing)

- **DD** Dutch door hinges (DD Form Required)
- **HT** Hospital tips
- **RB** Raised barrel
- **LL** Lead-lined cover w/ 1/16" lead-lining

Consult the Factory on other available options

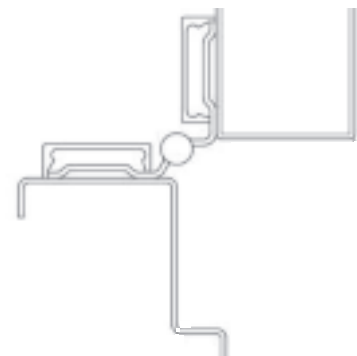
* Power Transfer Location Template must accompany your order

When installed on a 16 gage (or heavier) metal frame, hinge reinforcements are not required, nor are they recommended. However, if the frames are equipped with mortise hinge reinforcements, removal is not advised.

ANSI Cross Reference

Grade 2

ANSI / BHMA Standard A156.26



Door Open 90°

McKINNEY Hinge Catalog

Full Surface Flush Mount

Steel Continuous Hinge

McKinney[®]

ASSA ABLOY

MCK-FS3702

Heavy-duty 14 Gauge, 1012 carbon steel,
Gray Powder Coat

Available Sizes

| Door Size | Hinge Length | Hinge Length MM |
|-----------|--------------|-----------------|
| 6'8" | 78.75" | 2000.2 |
| 7'0" | 83.125" | 2111.4 |
| 7'2" | 85" | 2159.0 |
| 8'0" | 95" | 2413.0 |
| 10'0" | 118.75" | 3016.2 |

For flush doors. This surface-mounted pin & barrel type continuous hinge can be used to repair both fire labeled and non-labeled doors that have very tight clearances.



Classified in accordance with UBC code standard 7-2 for positive pressure

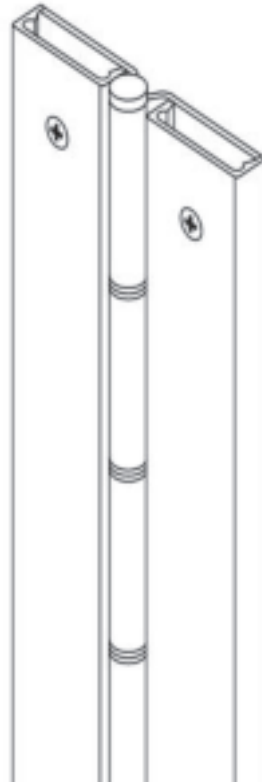
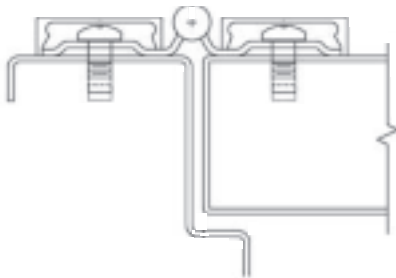
Fire Rating

3 hours- hollow metal doors mounted singly

90 minutes- hollow metal and composite core wood fire doors

20 minutes- wood doors

Door Closed



Mounting Hardware

No exposed mounting fasteners when closed

Fastener screw pack includes
1/4-20 x 3/4" PPH Tek, SD, Zinc
#8 x 3/4" PFH Tek, Zonk
Cover Clip

Fastener Cover

Brushed Aluminum

Capacity (1-3/4" Door)

Supports weights up to 600 lbs.
4'0" maximum door width

Hole Pattern

Symmetrically templated
Non-handed

Barrel Type Hinge

1/4" diameter stainless steel pin
Long-life split nylon bearings

Exterior Barrel Diameter

.438 (7/16)

OPTIONAL FEATURES

- Custom lengths - specify handing and length in inches
- 1-3/4" aluminum sleeve bolts

Options (Suffix may require handing)

- **DD** Dutch door hinges (DD Form Required)
- **HT** Hospital tips
- **RB** Raised barrel
- **LL** Lead-lined cover w/ 1/16" lead-lining

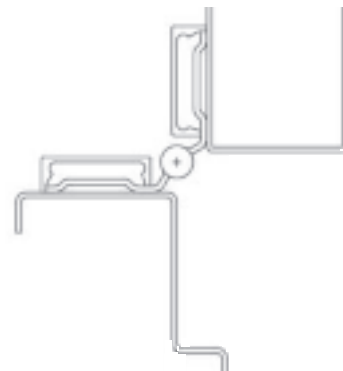
Consult the Factory on other available options

When installed on a 16 gage (or heavier) metal frame, hinge reinforcements are not required, nor are they recommended. However, if the frames are equipped with mortise hinge reinforcements, removal is not advised.

ANSI Cross Reference

Grade 2

ANSI / BHMA Standard A156.26



Door Open 90°

McKINNEY Hinge Catalog

Half Surface Steel Continuous Hinge

McKinney
ASSA ABLOY

MCK-HS3703

Heavy-duty 14 Gauge, 1012 carbon steel,
Gray Powder Coat

Available Sizes

| Door Size | Hinge Length | Hinge Length MM |
|-----------|--------------|-----------------|
| 6'8" | 78.75" | 2000.2 |
| 7'0" | 83.125" | 2111.4 |
| 7'2" | 85" | 2159.0 |
| 8'0" | 95" | 2413.0 |
| 10'0" | 118.75" | 3016.2 |

This half-surface pin & barrel type continuous hinge can be used to repair both fire labeled and non-labeled openings. The hinge fits into the gap left after standard butt hinges are removed. It can assist in reversing the handing of a door, or to reverse the swing of a door hung in an evenly-rabbeted frame. (Please call the factory at 800-346-7707. for instructions on unevenly-rabbeted frames.)



Classified in accordance with UBC code standard 7-2 for positive pressure

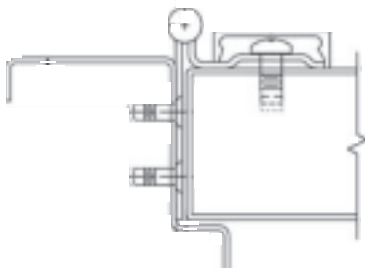
Fire Rating

3 hours- hollow metal doors mounted singly

90 minutes- hollow metal and composite core wood fire doors

20 minutes- wood doors

Door Closed



Mounting Hardware

No exposed mounting fasteners when closed

Fastener screw pack includes
#10 x 7/8" PH U/C Self Drilling, Zinc
#10 x 1-1/4" PH U/C Zinc
Cover Clip
#8 x 3/4" PHF Tek, Zinc

Fastener Cover

Brushed Aluminum

Capacity (1-3/4" Door)

Supports weights up to 600 lbs.
4'0" maximum door width

Hole Pattern

Symmetrically templated
Non-handed

Barrel Type Hinge

1/4" diameter stainless steel pin
Long-life split nylon bearings

Exterior Barrel Diameter

.438 (7/16)

OPTIONAL FEATURES

- US32 Bright Polished stainless (629)
- Custom lengths - specify handing and length in inches
- Custom hole pattern
- Tamper-proof security screws
- 1-3/4" aluminum sleeve bolts
- Special sheared leaf

Options (Suffix may require handing)

- **DD** Dutch door hinges (DD Form Required)
- **HT** Hospital tips
- **RB** Raised barrel
- **LL** Lead-lined cover w/ 1/16" lead-lining

Electrical Modifications (Suffix requires handing)

- **PT** Power Transfer Prep (Cut out frame leaf only) For Adams Rite, Securitron, Yale, Dorma & Centurion*
- **EPT** Power Transfer Prep (Cut out, frame leaf only) For Von Duprin*

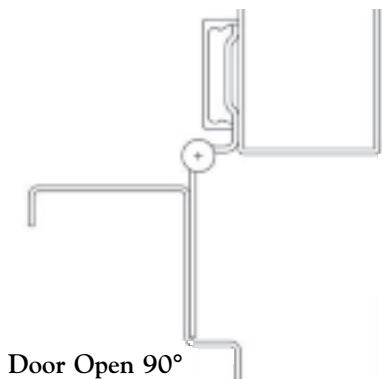
Consult the Factory on other available options

When installed on a 16 gage (or heavier) metal frame, hinge reinforcements are not required, nor are they recommended. However, if the frames are equipped with mortise hinge reinforcements, removal is not advised.

ANSI Cross Reference

Grade 2

ANSI / BHMA Standard A156.26

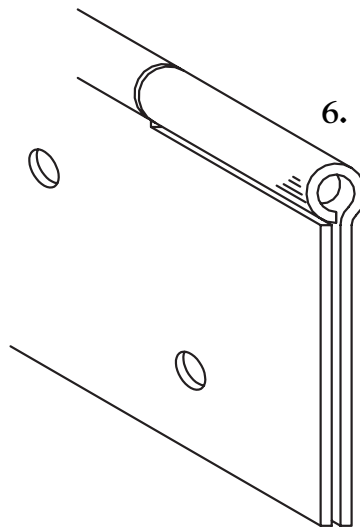


Door Open 90°

CUTTING HINGES TO CUSTOM LENGTHS

Pin & Barrel Hinges

1. The following instructions will apply to all McKinney pin and barrel hinges. The general instructions apply to both 300 and 3700 series hinges.
2. Determine the amount that the hinge needs to be shortened. Note the hand of the hinge before beginning to lay out your cut. All cuts will be done at the bottom of your hinge assembly making sure to leave the gang hole pattern at the top.
3. Measure from the top down and scribe a cut line on your leaf at the desired length.
4. Cut the hinge to length with a hacksaw, going through the leaf, barrel and pin. If necessary, use a file to remove sharp edges and deburr.
5. Slide the stainless steel pin out approximately 1" making sure the assembly stays together as one unit. Remove 1/4" from the end of the pin using a hacksaw and then push back into its original position.
6. Using a pair of vice-grips, crimp the end of the steel barrel making sure the hinge pin will not slide out.



MCK EG-308

Heavy-Duty 16 Gauge, 304 stainless steel
Finished in 32D (630)

Available Sizes

| Door Size | Hinge Length | Hinge Length MM |
|-----------|--------------|-----------------|
| 6'8" | 78.75" | 2000.2 |
| 7'0" | 83.125" | 2111.4 |
| 7'2" | 85" | 2159.0 |
| 8'0" | 95" | 2413.0 |
| 10'0" | 118.75" | 3016.2 |

This edge guard which can make doors adjustable to non-plumb frames protects the leading edge of the door is used in conjunction with the McK-HG305 for a balanced aesthetic look.

When using this edge guard in a Hollow Metal Door application, we strongly suggest your doors be ordered and manufactured with reinforcement at the lock side of the door for proper use of the Adjusta-Screw Assembly.

This added reinforcement will ensure the proper amount of material for threading the Adjusta-Screw, giving the strength needed to last the life of the door. This reinforcement only applies to Adjusta-Screw assembly and is not needed for any other hardware application.



Classified in accordance with UBC code standard 7-2 fire test of door assemblies for positive pressure – also Miscellaneous Firedoor Accessory 8N60

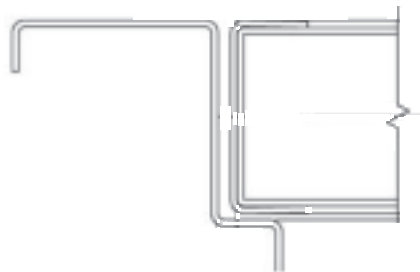
Fire Rating

Up to 1-1/2 hours, for use on wood, plastic coated wood composite and hollow metal fire rated door.

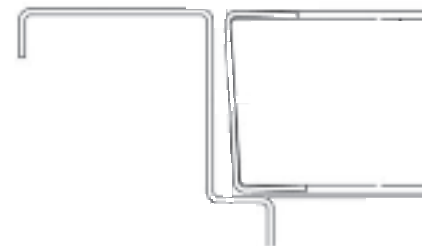
MAY NOT APPLY TO ALL WOOD DOORS IN ACCORDANCE WITH UBC STANDARD CODE 7-2. PLEASE CONSULT FACTORY FOR SPECIFIC WOOD DOOR APPLICATIONS.



- Mounting Hardware**
#10 x 1-1/4 PFH U/C Stainless
- Door Edge**
Specify square or beveled edge
- Hole Pattern**
Symmetrically templated
Non-handed



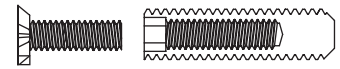
Door Closed



Door Open 90°

OPTIONAL FEATURES

- 32 Bright Polished stainless (629)
- Custom lengths - specify handing and length in inches
- Custom hole pattern for lead line doors
- **DD** – Dutch door guard application
- #10-32 x 3/4 PFH U/C Stainless
- **AS** - Adjusta Screws for correcting alignment problems up to 3/8"



Adjusta Screw assemblies are approved for use on labeled doors. UL Certification file #R15384 (N)

HARDWARE CUTOUTS (requires handing)

- Flush Bolts
- ASA Strike
- 86 edge and ASA lock
- Hospital latch
- 161 cutout

Measurements should be given from Top of door to centerline of cutout. The Edge Guard Order Form must accompany your order.

Please note that hinge cut outs are not available at this time

McKINNEY Hinge Catalog

MCK EG-C308

Heavy-Duty 16 Gauge, 304 stainless steel
Finished in 32D (630)

Available Sizes

| Door Size | Hinge Length | Hinge Length MM |
|-----------|--------------|-----------------|
| 6'8" | 78.75" | 2000.2 |
| 7'0" | 83.125" | 2111.4 |
| 7'2" | 85" | 2159.0 |
| 8'0" | 95" | 2413.0 |
| 10'0" | 118.75" | 3016.2 |

This edge guard which protects the leading edge of the door from dents and gouges is used in conjunction with the McK-HG315 for a balanced aesthetic look.



Classified in accordance with UBC code standard 7-2 fire test of door assemblies for positive pressure – also Miscellaneous Fire door Accessory 8N60

Fire Rating

Up to 1-1/2 hours, for use on wood, plastic coated wood composite and hollow metal fire rated door.

MAY NOT APPLY TO ALL WOOD DOORS IN ACCORDANCE WITH UBC STANDARD CODE 7-2. PLEASE CONSULT FACTORY FOR SPECIFIC WOOD DOOR APPLICATIONS.



Mounting Hardware

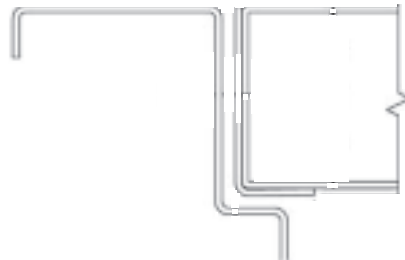
#10 x 1-1/4 PFH U/C Stainless

Door Edge

Specify square or beveled edge

Hole Pattern

Symmetrically templated
Non-handed



Door Closed

OPTIONAL FEATURES

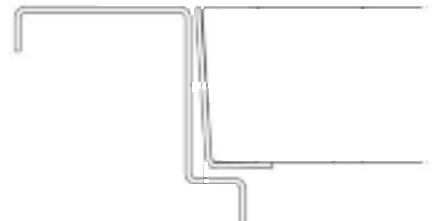
- 32 Bright Polished stainless (629)
- Custom lengths - specify handing and length in inches
- Custom hole pattern for lead line doors
- DD – Dutch door guard application

HARDWARE CUTOUTS (requires handing)

- Flush Bolts
- ASA Strike
- 86 edge and ASA lock
- Hospital latch
- 161 cutout

Measurements should be given from Top of door to centerline of cutout. The Edge Guard Order Form must accompany your order.

Please note that hinge cut outs are not available at this time



Door Open 90°

McKINNEY Hinge Catalog

300 Series

Stainless Steel Edge Guard

McKinney
ASSA ABLOY

MCK EG-T308

Heavy-Duty 16 Gauge, 304 stainless steel
Finished in 32D (630)

Available Sizes

| Door Size | Hinge Length | Hinge Length MM |
|-----------|--------------|-----------------|
| 6'8" | 78.75" | 2000.2 |
| 7'0" | 83.125" | 2111.4 |
| 7'2" | 85" | 2159.0 |
| 8'0" | 95" | 2413.0 |
| 10'0" | 118.75" | 3016.2 |

The integral overlapping astragal of this edge guard provides an additional level of security by acting as a latch protector. It is ideal for exterior pairs of doors that require protection from vandalism. This edge guard also makes doors adjustable to non-plumb frames.

When using this edge guard in a Hollow Metal Door application, we strongly suggest your doors be ordered and manufactured with reinforcement at the lock side of the door for proper use of the Adjusta-Screw Assembly.

This added reinforcement will ensure the proper amount of material for threading the Adjusta-Screw, giving the strength needed to last the life of the door. This reinforcement only applies to Adjusta-Screw assembly and is not needed for any other hardware application.



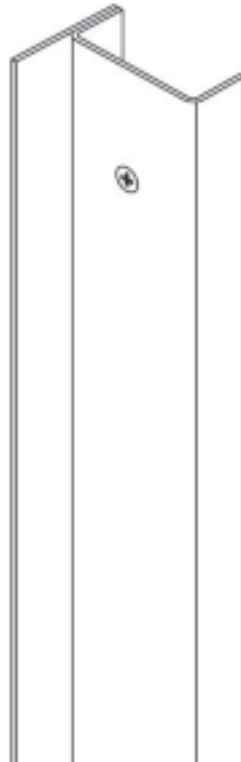
Classified in accordance with UBC code standard 7-2 fire test of door assemblies for positive pressure – also Miscellaneous Firedoor Accessory 8N60

Fire Rating

Up to 1-1/2 hours, for use on wood, plastic coated wood composite and hollow metal fire rated door.

MAY NOT APPLY TO ALL WOOD DOORS IN ACCORDANCE WITH UBC STANDARD CODE 7-2. PLEASE CONSULT FACTORY FOR SPECIFIC WOOD DOOR APPLICATIONS.

ASSA ABLOY, the global leader in door opening solutions



Mounting Hardware

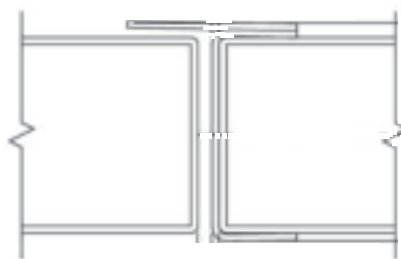
#10 x 1-1/4 PFH U/C Stainless

Door Edge

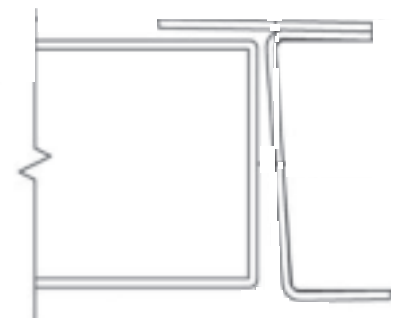
Specify square or beveled edge

Hole Pattern

Symmetrically templated
Non-handed



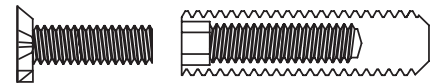
Door Closed



Door Open 90°

OPTIONAL FEATURES

- 32 Bright Polished stainless (629)
- Custom lengths - specify handing and length in inches
- Custom hole pattern for lead line doors
- DD – Dutch door guard application
- #10-32 x 3/4 PFH U/C Stainless
- AS - Adjusta Screws for correcting alignment problems up to 3/8"



Adjusta Screw assemblies are approved for use on labeled doors. UL Certification file #R15384 (N)

HARDWARE CUTOUTS

(requires handing)

- Flush Bolts
- ASA Strike
- 86 edge and ASA lock
- Hospital latch
- 161 cutout

Measurements should be given from Top of door to centerline of cutout. The Edge Guard Order Form must accompany your order.

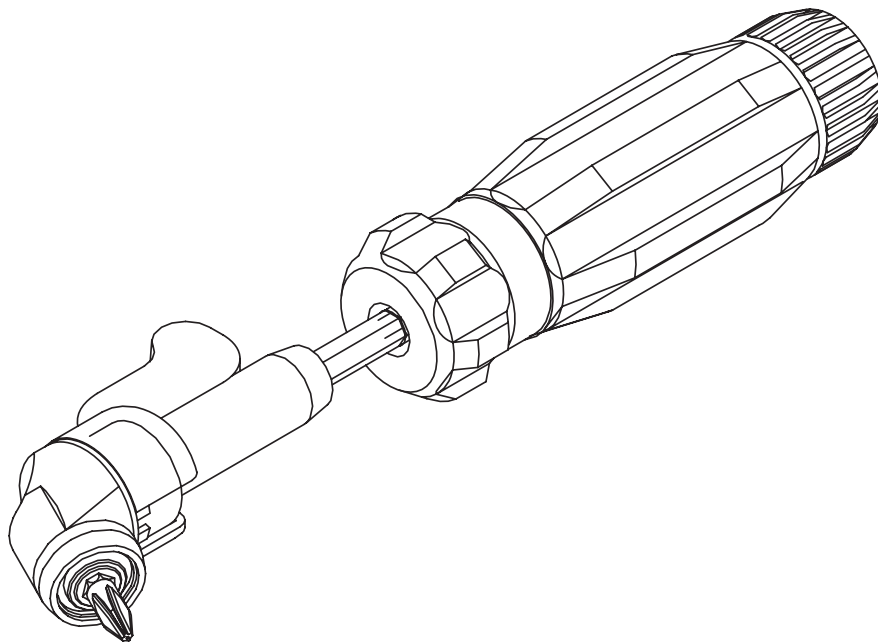
Please note that hinge cut outs are not available at this time

MT-SP-100

Right angle drive skewdriver

This member of McKinney's line of installation tools is the MT-SP100 Right Angle Drive Skewdriver. Its unique gearing design gives conventional screwdriver action on hard-to-reach fasteners, and the adjustable stabilizer wing provides extra stability in high torque and restricted locations. Heavy-duty construction- with die-cast housing and hardened steel gears.

This tool is especially helpful when installing our MCK-HG310 and MCK-HG311 models.

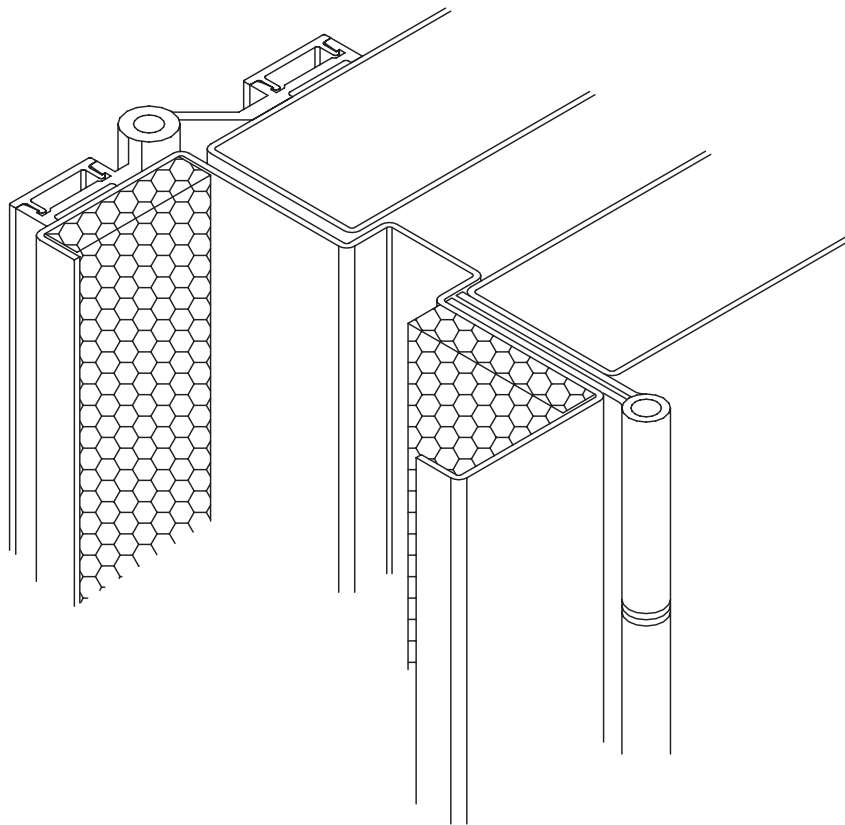


PREVENTING MORTAR FROM BREAKING DRILLS AND TAPS

Preventing mortar from breaking drills and taps

One way to ease installation of continuous hinges in the field on new construction projects is to coordinate with the anchoring and hollow metal supplier prior to frame installation, by placing a 1/4" or 3/8" strip of expanded polystyrene insulation on the back of the hollow metal frame as shown below. When the frames are grouted in, the foam backer will allow drilling and tapping without dulling or breaking the installers bits.

You'll be a hero with the installer, contractor and architect!



INTENTIONALLY
LEFT
BLANK

McKINNEY Hinge Catalog Cross Reference



This cross reference is intended for the use of architects and contract hardware distributors in establishing comparisons between the hinge products of McKINNEY and other manufacturers.

These listings have been carefully compiled from the most recent catalogs of the manufacturers involved and it is believed that it represents a fair comparison between the product

lines. While all contract grade hardware is to be manufactured in accordance with BHMA and ANSI standards, McKINNEY assumes no responsibility for the accuracy of this list of competitors' numbers and suggests that both manufacturers' catalog and templates be consulted for additional information.

McKINNEY welcomes the opportunity to consult with any

architect, distributor, contractor or builder at any time regarding any matter concerning the specification of our products.

Note: McKINNEY pioneered the use of "Oil Lite" bearings in 1935 for improved bearing performance. The standard five knuckle bearing hinges manufactured by McKINNEY are furnished with oil-impregnated bearings (TA). However, ball bearings can be supplied as specified.

| Table of Contents | Page |
|-------------------------------------|----------|
| Hinges, Spring Hinges, Misc. | |
| ANSI Hinge Standard Numbers | .ii |
| Bommer | .iii |
| Hager Hinge | .iv |
| Lawrence Brothers | .v |
| Stanley Hardware | .vi |
| United States Government Numbers | .vii |
| Aluminum Continuous Hinges | |
| Markar | .viii-ix |
| Roton | .viii-ix |
| Select | .viii-ix |
| Stanley | .viii-ix |
| Stainless Continuous Hinges | |
| Gallery | .vii |
| Markar | .vii |
| Stanley | .vii |
| Finish Symbols | |
| United States Government Numbers | .x |
| Lawrence Brothers | .x |
| Stanley Hardware | .x |
| Hager Hinge | .x |

McKINNEY Hinge Catalog

Cross Reference

ANSI Hinge Standard Numbers

McKinney®
ASSA ABLOY

ANSI Hinge Standard and McKINNEY Equivalent Numbers

| ANSI # | McKINNEY # | ANSI # | McKINNEY # | ANSI # | McKINNEY # |
|--------|------------------|--------|------------------|---------|---------------------|
| A1612 | TA3383 | A5212 | TA3374 (32-32D) | A8311 | TA781 |
| A1711 | TA3329 | | TA374 (32-32D) | | TA3761 |
| A1882 | DS-6 | | TA3324 (32-32D) | A8312 | TA2771 |
| A2111 | T4A3386 | A5311 | T4A3381 (32-32D) | | TA771 |
| | TA386 | | TA381 (32-32D) | | TA2741 |
| | TA3350 | | TA3361 (32-32D) | A8321 | T4A3797 |
| A2112 | TA2314 | A5361 | T4A3385 (32-32D) | | TA797 |
| | TA314 | A5411 | T4A3382 (32-32D) | | TA3767 |
| | TA3331 | | TA382 (32-32D) | A8361 | T4A3785 |
| A2133 | T2314 | | TA3362 (32-32D) | A8411 | T4A3782 |
| A2142 | TA2314 - Type II | A5412 | TA2372 (32D) | | TA782 |
| A2152 | TA2314 - Type I | | TA372 (32D) | | TA3762 |
| A2211 | T4A3384 | A5551 | TA392 | A8412 | TA2772 |
| | TA384 | | TA393 | | TA772 |
| | TA3364 | A8111 | T4A3786 | | TA2732 |
| A2212 | TA3374 | | TA786 | A8421 | T4A3796 |
| | TA374 | | TA3750 | | TA796 |
| | TA3324 | A8112 | TA2714 | | TA3769 |
| A2311 | T4A3381 | | TA714 | A8433 | T2772 |
| | TA381 | | TA2731 | A8551 | TA792 |
| | TA3361 | A8121 | T4A3795 | | TA793 |
| A2361 | T4A3385 | | TA795 | | TA5792 |
| A2411 | T4A3382 | | TA3765 | K61091 | CS1 |
| | TA382 | A8122 | TA2895 | K63201 | 4007 |
| | TA3362 | A8133 | T2714 | K81041 | 3", 4", 5", 6" 1001 |
| A2412 | TA372 | | T714 | | 8" 9001 |
| | TA2372 | | T2731 | K81071 | 1502 |
| A2551 | TA392 | A8142 | TA2714 Type II | K81071F | 1502 |
| | TA393 | A8152 | TA2714 Type I | K81081 | 1572 |
| | TA5392 | A8173 | 2705 | K8108F | 1572 |
| A2742 | EP-5 | A8211 | T4A3784 | K81111 | 8" 19001 |
| A5111 | T4A3386 (32-32D) | | TA784 | K81131 | HS1001 |
| | TA386 (32-32D) | | TA3764 | K81151 | 6 X 4-1/2 1001 |
| | TA3350 (32-32D) | A8212 | TA2774 | K82011 | 8007 |
| A5112 | TA2314 (32-32D) | | TA774 | K82021 | H8007 |
| | TA314 (32-32D) | | TA2724 | K82183 | 3001 |
| | TA3331 (32-32D) | A8221 | T4A3789 | K87431 | 35 |
| A5133 | T2314 (32-32D) | | TA789 | K87441 | 9" 451 |
| A5211 | T4A3384 (32-32D) | | TA3769 | | 11" 452 |
| | TA384 (32-32D) | A8233 | T2774 | | 13" 453 |
| | TA3364 (32-32D) | A8311 | T4A3781 | | |

Note: NFPA requires that all hinges or pivots, except spring hinges, installed on labeled doors be of the bearing type. Acceptable hinge material - steel or stainless steel. (Spring hinges available in steel only.)
Ball Bearings available upon request.



McKINNEY Hinge Catalog

Cross Reference

Bommer Industries Inc. Numbers



Bommer Industries Inc. Numbers and McKINNEY Equivalent Numbers

| Bommer # | McKINNEY # | Bommer # | McKINNEY # | Bommer # | McKINNEY # |
|-----------|-------------|----------|-----------------------|----------|-------------|
| MB-1 | MG-16 | BB5042 | RBMTA2314-32D | BB5306 | T4A3382-32D |
| 170 | 35 | BB5044 | RBT4A3786 | BB5324 | T4A3796 |
| 2410 | 451 | BB5045 | RBT4A3386 | 7112 | 4007RB |
| 2430 | 453 | BB5046 | RBT4A3386-32D | 7112 | 4007MRB |
| 3023 | HS1001 | BB5050 | TA2714 Slip-in Type 2 | 7512 | 8007 |
| 3024 | 19001 | BB5051 | TA2314 Slip-in Type 2 | H7512 | H8007 |
| 3029 | 1001 | | TA2314-32D | 7811 | 3001 |
| 3029-(8") | 9001 | BB5052 | Slip-in Type 2 | 7812 | J3001 |
| 4310 | 1502 | BB5060 | TA2714 CC | 8000 | T714 |
| 4313 | 1572 | BB5061 | TA2314 CC | 8001 | T314 |
| 5000 | T2714 | BB5062 | TA2314-32D CC | 8002 | T314-32D |
| 5001 | T2314 | BB5064 | T4A3786 CC | BB8000 | TA714 |
| 5002 | T2314-32D | BB5065 | T4A3386 CC | BB8001 | TA314 |
| BB5000 | TA2714 | BB5066 | T4A3386-32D CC | BB8002 | TA314-32D |
| BB5001 | TA2314 | 5100 | T2774 | BB8004 | TA786 |
| BB5002 | TA2314-32D | BB5101 | TA3374 | BB8005 | TA386 |
| BB5004 | T4A3786 | BB5102 | TA3374-32D | BB8006 | TA386-32D |
| BB5005 | T4A3386 | BB5104 | T4A3784 | BB8024 | TA795 |
| BB5006 | T4A3386-32D | BB5105 | T4A3384 | BB8034 | TA792 |
| BB5010 | TA2798 | BB5106 | T4A3384-32D | BB8036 | TA392 |
| BB5011 | TA2398 | BB5124 | T4A3789 | BB8040 | RBMTA714 |
| BB5012 | TA2398-32D | BB5200 | TA2771 | BB8044 | RBMTA786 |
| BB5014 | T4A3786 | BB5201 | TA3341 | BB8060 | TA714 CC |
| BB5015 | T4A3386 | BB5204 | T4A3785 | BB8064 | TA786 CC |
| BB5016 | T4A3386-32D | BB5205 | T4A3385 | BB8100 | TA774 |
| BB5020 | TA2895 | BB5224 | T4A3797 | BB8101 | TA374 |
| BB5021 | TA2395 | BB5226 | T4A3397-32D | BB8102 | TA374-32D |
| BB5022 | TA2395-32D | 5300 | T2772 | BB8104 | TA784 |
| BB5024 | TA3795 | BB5300 | TA2772 | BB8105 | TA384 |
| BB5026 | T4A3395-32D | BB5301 | TA2372 | BB8106 | TA384-32D |
| BB5034 | TA792 | BB5302 | TA2372-32D | BB8124 | TA789 |
| BB5040 | RBMTA2714 | BB5304 | T4A3782 | BB8200 | TA771 |
| BB5041 | RBMTA2314 | BB5305 | T4A3382 | BB8201 | TA371 |

Options

| Feature | Bommer | McKINNEY |
|--------------------------------------|------------------------|--------------------|
| Non-Removable Pin | N | NRP (Suffix) |
| Security Stud | S | SSF (Suffix) |
| Non-Removable Pin with Security Stud | A | NRP x SSF (Suffix) |
| Maximum Security Stud | M | PSF (Suffix) |
| Hospital Tip | H | HT (Prefix) |
| Decorative Ball Tip | Decorative Ball Tip | BT (Suffix) |
| Decorative Steeple Tip | Decorative Steeple Tip | ST (Suffix) |
| Stainless Steel Pins | J | SSP (Suffix) |
| Brass Pins | K | BR |

| | |
|--------|-----------|
| BB8202 | TA371-32D |
| BB8204 | TA781 |
| BB8205 | TA381 |
| BB8206 | TA381-32D |
| BB8224 | TA797 |
| BB8300 | TA772 |
| BB8301 | TA372 |
| BB8302 | TA372-32D |
| BB8304 | TA782 |
| BB8305 | TA382 |
| BB8306 | TA382-32D |
| BB8324 | TA796 |



McKINNEY Hinge Catalog Cross Reference Hager Catalog Numbers

McKinney[®]
ASSA ABLOY

Hager Catalog Numbers and McKINNEY Equivalent Numbers

| Hager # | McKINNEY # | Hager # | McKINNEY # | Hager # | McKINNEY # |
|---------|------------|---------|------------|----------|----------------|
| 417 | BP-10 | BB7506 | TA792 | 1191 | T2314 |
| 418 | BP-11 | BB7507 | TA5792 | BB1191 | TA2314 |
| 451 | DLS-8 | BB800 | TA314 | BB1193 | TA3313 |
| 452 | DLS-8 | BB801 | TA374 | BB1199 | T4A3386 |
| 453 | DLS-8 | BB802 | TA371 | 1250 | 1502 |
| 454 | DLS-8 | BB803 | TA372 | 1253 | 1572 |
| 495 | R1-TOP | BB850 | TA386 | BB1264 | T4A3789 |
| 496 | R2-CENTER | BB851 | TA384 | BB1265 | T4A4789 |
| 497 | R3-BOTTOM | BB852 | TA381 | BB1266 | T4A3797 |
| 600 | EPS & DS6 | BB853 | TA382 | BB1260 | TA2895 |
| 610 | DS-6 | BB858 | TA393 | BB1261 | TA4895 |
| 700 | T714 | 920 | T2731 | BB1262 | T4A3795 |
| BB700 | TA714 | AB920 | TA2731 | BB1263 | T4A4795 |
| BB701 | TA774 | BB8505 | TA393 | BB1265 | T4A4789 |
| BB702 | TA771 | BB8506 | TA392 | BB1270 | T4A3796 |
| BB703 | TA772 | BB8507 | TA5392 | BB1277 | TA2714 Slip-in |
| BB750 | TA786 | 1250 | 1502 | BB1278 | TA2714 Slip-in |
| BB751 | TA784 | 1256 | 81330 | RC1279 | RC2714 |
| BB752 | TA781 | BB1109 | TA3374 | 1279 | T2714 |
| BB753 | TA782 | 1129 | T2774 | BB1279 | TA2714 |
| BB7501 | TA795 | BB1129 | TA2774 | WTBB1279 | TA2798 |
| BB7501 | TA5795 | BB1138 | T4A3784 | BB1577 | TA2314 Slip-in |
| BB7511 | TA789 | BB1163 | T4A3782 | BB1578 | TA2314 Slip-in |
| BB7512 | TA5789 | BB1168 | T4A3786 | 1741 | 1400 |
| BB7523 | TA797 | 1173 | T2772 | RC1741 | 1414 |
| BB7534 | TA796 | BB1173 | TA2772 | 1804 | 703 |
| BB7505 | TA793 | BB1174 | TA3713 | 1808 | 705 |
| | | | | RC1841 | 1458 |
| | | | | BB2098 | T4A3384 |
| | | | | BB2109 | T4A3381 |
| | | | | BB2108 | T4A3385 |
| | | | | BB2110 | TA2371 |
| | | | | BB2112 | TA2372 |
| | | | | BB2113 | T4A3382 |
| | | | | BB2169 | T4A3781 |
| | | | | BB2168 | T4A3785 |
| | | | | BB2171 | TA2771 |
| | | | | BB7508 | TA5792 |
| | | | | BB8508 | TA5392 |

Options

| Feature | Hager | McKINNEY |
|----------------------------|-------|----------------|
| Raised Barrel | RBB | RBM (Prefix) |
| Raised Barrel | RBS | RBS (Prefix) |
| Ball Bearing | BB | TB (Prefix) |
| Oilite Bearing | OB | TA (Prefix) |
| Triple Plate | CP | S (Prefix) |
| Brass Pin | BP | BR (Suffix) |
| Stainless Steel Pin | SP | SSP (Suffix) |
| Set Screw in Barrel | NRP | NRP (Suffix) |
| Spun or Riveted Pin | FRP | FR/SP (Suffix) |
| Safety Stud | SH | SSF (Suffix) |
| Hospital Tip | HT | HT (Prefix) |
| Steeple Tip | ST | ST (Suffix) |
| Ball Tip | BT | BT (Suffix) |
| Round Corner | RC | RC (Prefix) |
| "Luma Sheen" | LS | AP (Finish) |
| "Luma-color" Black | L1 | D-4 (Finish) |
| "Luma-color" Dark Bronze | L2 | D-3 (Finish) |
| "Luma-color" Medium Bronze | L3 | D-2 (Finish) |

Suffix for Electric Hinges

| | |
|-----|-------|
| E | ES |
| ETM | CCxMM |
| ETW | CC |
| EMN | MM |
| EIS | CS |

McKINNEY Hinge Catalog Cross Reference Lawrence Catalog Numbers



Lawrence Brothers Numbers and McKINNEY Equivalent Numbers

| Lawrence # | McKINNEY # | Lawrence # | McKINNEY # | Lawrence # | McKINNEY # |
|-------------|----------------|------------|-------------|-----------------------------------|------------|
| CHP-1 | EP-5 | 4981A | T2314 | BB9101 | TA714 |
| TPU-2 1/2 | TA792 | BB4951 | TCA3786 | BB9101-A | TA314 |
| TPU-2-1/2-A | TA392 | BB4951-32D | TCA3386-32D | BB9151 | TA786 |
| SC2500 | I400 | BB4951-A | TCA3386 | BB9151-32D | TA786-32D |
| SC2514 | I414 | BB5151 | T4A3786 | BB9151-A | TA386 |
| SC2558 | I458 | BB5151-32D | T4A3386-32D | BB9152 | TA795 |
| BB4101 | TCA2714 | RB-BB-5151 | RBM-T4A3786 | 9181 | T714 |
| BB4101-32D | TCA2314-32D | BB5151-A | T4A3386 | BB9301 | TA772 |
| BB4101-A | TCA2314 | BB5152 | T4A3795 | BB9301-A | TA372 |
| BB4101W/T | TCA2798 | BB5351 | T4A3782 | BB9351 | TA782 |
| RB-BB4101 | RBM-TA2714 | BB5351-32D | T4A3382-32D | BB9351-A | TA382 |
| BB4105 | TA2714 Slip-in | BB5351-A | T4A3382 | BB9352 | TA796 |
| BB4105-A | TA2314 Slip-in | BB5352 | T4A3796 | BB9601 | TA774 |
| 4168 | I502 | BB5601 | TA3774 | BB9601-A | TA374 |
| 4181 | T2714 | BB5601-A | TA3374 | BB9651 | TA784 |
| RC4181 | RC2714 | BB5601-32D | TA3374-32D | BB9651-A | TA384 |
| 4181-A | T2314 | BB5651 | T4A3784 | BB9652 | TA789 |
| 4181xRP | T2705 | BB5651-A | T4A3384 | BB9701 | TA771 |
| BB4301 | TA2772 | BB5652 | T4A3789 | BB9701-A | TA371 |
| 4381 | T2772 | BB5751 | T4A3781 | BB9751 | TA781 |
| BB4601 | TA2774 | BB5751-32D | T4A3381-32D | BB9751-A | TA381 |
| 4681 | T2774 | BB5751-A | T4A3381 | BB9752 | TA797 |
| BB4701 | TA2771 | BB5752 | T4A3797 | | |
| BB4901 | TCA2714 | BB6154A | TA3329 | Suffix for Electric Hinges | |
| BB4901-32D | TCA2314-32D | 7106 | CSS9 | CEC | CC |
| BB4901-A | TCA2314 | 8040 | 703 | CES | CS |
| 4981 | T2714 | 8080 | 705 | SW | ES |
| 4981-32D | T2314-32D | | | | |

Ball Bearings available upon request.



McKINNEY Hinge Catalog Cross Reference Stanley Catalog Numbers

McKinney®
ASSA ABLOY

Stanley Catalog Numbers and McKINNEY Equivalent Numbers

| Stanley # | McKINNEY # | Stanley # | McKINNEY # | Stanley # | McKINNEY # |
|----------------|----------------|-----------|-----------------|-----------------------------------|------------|
| OP-1 | R1-TOP | FBB199 | T4A3386 / MPB99 | CB1920 | TA774 |
| ES-1 | DS-6 | FBB211* | TA793 | CB1921 | TA784 |
| DLS-1 | DLS-8 | FBB212* | TA792 | CB1930 | TA771 |
| JB-1 | MG-16 | FBB213* | TA5792 | CB1931 | TA781 |
| BP-1 | BP-10/BP-11 | FBB221* | TA393 | CB1941 | TA789 |
| DAP-3 | EP-5 | FBB222* | TA392 | CB1942 | TA5789 |
| BB98 | T4A3384 | FBB223* | TA5392 | CB1948 | TA795 |
| FBB108 | TA3374 | 241 | 2714 | CB1949 | TA5795 |
| FBB109 | T4A3381 | FBB248 | TA2895 | CB1951 | TA797 |
| FBB109-1/2 | T4A3385 | FBB258 | TA4895 | CB1959 | TA796 |
| FBB112 | TA2372 | FBB264 | T4A3789 | CB1960 | TA314 |
| FBB113 | T4A3382 | FBB266 | T4A3797 | CB1961 | TA386 |
| FBB138 | T4A3784 | FBB268 | T4A3795 | CB1967* | TA393 |
| FBB163 | T4A3782 | FBB269 | T4A3796 | CB1968* | TA392 |
| FBB167 | TA2774 | FBB274 | T4A4789 | CB1969 | TA5392 |
| F167 | T2774 | FBB278 | T4A4795 | CB1970 | TA372 |
| FBB168 | T4A3786/MPB68 | BB601-8" | TB786-8" | CB1971 | TA382 |
| FBB169 | T4A3781 | 0700 | T2731 | CB1980 | TA374 |
| FBB169-1/2 | T4A3785 | CB700 | TA2731 | CB1981 | TA384 |
| FBB171 | TA2771 | 741 | 1400 | CB1990 | TA371 |
| F173 | T2772 | RD741 | 1414 | CB1991 | TA381 |
| FBB173 | TA2772 | RD758 | 1458 | 2060 | 1502 |
| F179 | T2714/MP79 | 1900 | T714 | 2063 | 1572 |
| FBB179 | TA2714/MPB79 | CB1900 | TA714 | Suffix for Electric Hinges | |
| FBB179WT | TA2798 | CB1901 | TA786 | CE | CC |
| FBB179 Slip-in | TA2714 Slip-in | CB1907* | TA793 | CS | CS |
| F191 | T2314 | CB1908* | TA792 | ES | ES |
| FBB191 | TA2314/MPB91 | CB1909* | TA5792 | CS | MM |
| FBB191 Slip-in | TA2314 Slip-in | CB1910 | TA772 | CEXCS | CCXCS |
| | | CB1911 | TA782 | | |

Note: *Available only in Bronze.

Options

| Feature | Stanley | McKINNEY |
|-----------------------|-----------------------|---------------------|
| Rust-Resistant Base | K | S (Prefix) |
| Solid Brass Ball Tips | Solid Brass Ball Tips | BT (Suffix) |
| Steeple Tips | Steeple Tips | ST (Suffix) |
| Hospital Tip | HT | HT (Prefix) |
| Shear Resisting Stud | SRS | PSF (Suffix) |
| Non-Removable Pin | NRP | NRP (Suffix) |
| Fast Spun Pin | FSP | SP (Suffix) |
| Security Stud | Sec. St. | SSF (Suffix) |
| No Hole Prefix | NH | BLANK |
| Raised Barrel | RB | RBM/RBS (Prefix) |
| Slip-in | Slip-in | SlH Type 1 |
| | | SlH Type 2 (Prefix) |

McKINNEY Hinge Catalog

Cross Reference

Pin & Barrel Continuous Hinges



Gallery, Markar, Roton, Select, Stanley Product Numbers and McKinney Equivalent Numbers

| McKINNEY # | ABH # | Ives # | Gallery # | Markar # | Roton # | Stanley # | Zero # |
|-------------|-------|--------|-----------|-----------|---------|-----------|---------|
| MCK-FM300 | A500 | 700 | 951 | FM-300 | 790-900 | 651 | 919STST |
| MCK-FS301 | | | | FS-301 | | | |
| MCK-FS302 | A502 | 702 | 957 | FS-302 | | 657 | 916STST |
| MCK-HS303 | A503 | A503 | 954 | HS-303 | 790-903 | | |
| MCK-HM304 | A504 | | | HM-304 | 790-904 | 654 | 913STST |
| MCK-HG305 | A505 | 705 | 952 | HG-305 | 790-905 | 652 | 918STST |
| MCK-HG306 | A506 | | 955 | HG-306 | 790-906 | 655 | |
| MCK-FS309 | A511 | A511 | | FS/SC-309 | 790-909 | | |
| MCK-HG310 | | | | HG-310 | 790-910 | | |
| MCK-HG311 | A511 | 711 | 956 | HG-311 | | 653 | |
| MCK-HG315 | A515 | 715 | 953 | HG-315 | 790-915 | 653 | |
| MCK-FS321 | | | | FS-321 | | | |
| MCK-HG322 | | | | HG-322 | | | |
| MCK-HG323 | | | | HG-323 | | | |
| MCK-HG326 | | | | HG-326 | 790-326 | | |
| MCK-FM327 | | | | FM-327 | | | |
| MCK-FM3500 | | | | FM-3500 | | | |
| MCK-FS3501 | | | | FM-3501 | | | |
| MCK-FS3502 | | | | FS-3502 | | | |
| MCK-HG3505 | | | | FS-3505 | | | |
| MCK-FM3700 | | 600 | CH-941 | FM-200 | | 641 | |
| MCK-FS3701 | | | | FS-201 | | | |
| MCK-FS3702 | | 602 | CH-947 | FS-202 | | 647 | |
| MCK-HS3703 | | | | HS-203 | | | |
| MCK-EG-308 | | | | EG-308 | | | |
| MCK-EG-C308 | | | | EG-C308 | | | |
| MCK-EG-T308 | | | | EG-T308 | | | |

McKINNEY Hinge Catalog

Cross Reference

Continuous Aluminum Geared Hinge



Roton, Stanley, Markar, Select and Pemko Product Numbers and McKINNEY Equivalent Numbers

| | McKinney # | Roton # | Stanley # | Markar # | Select # | Pemko # | Zero# |
|---|----------------------|-----------|-----------|----------|-----------|--------------|----------|
| Flush Mount Concealed with Stops Heavy Duty | MCK-12HD 83" Clear | 780-112HD | 661HD | FM-2000 | SL-11HDCL | CFM 83SLFHD | 9100DB-A |
| | MCK-12HD 83" Bronze | 780-112HD | 661HD | FM-2000 | SL-11HDBR | DFM 83SLFHD | 9100DB-D |
| | MCK-12HD 85" Clear | 780-112HD | 661HD | | SL-11HDCL | CFM 85SLFHD | 9100DB-A |
| | MCK-12HD 85" Bronze | 780-112HD | 661HD | | SL-11HDBR | DFM 85SLFHD | 9100DB-D |
| | MCK-12HD 95" Clear | 780-112HD | 661HD | FM-2000 | SL-11HDCL | CFM 95SLFHD | 9100DB-A |
| | MCK-12HD 95" Bronze | 780-112HD | 661HD | FM-2000 | SL-11HDBR | DFM 95SLFHD | 9100DB-B |
| | MCK-12HD 120" Clear | 780-112HD | 661HD | FM-2000 | SL-11HDCL | CFM120SLFHD | 9100DB-A |
| | MCK-12HD 120" Bronze | 780-112HD | 661HD | FM-2000 | SL-11HDBR | DFM120SLFHD | 9100DB-B |
| 1/16" Inset Mount with Door Leaf Lip Heavy Duty | MCK-14HD 83" Clear | 780-111HD | | | SL-18HD | CFM 83SLIHD | |
| | MCK-14HD 83" Bronze | 780-111HD | | | SL-18HD | DFM 83SLIHD | |
| | MCK-14HD 85" Clear | 780-111HD | | | SL-18HD | CFM 85SLIHD | |
| | MCK-14HD 85" Bronze | 780-111HD | | | SL-18HD | DFM 85SLIHD | |
| | MCK-14HD 95" Clear | 780-111HD | | | SL-18HD | CFM 95SLIHD | |
| | MCK-14HD 95" Bronze | 780-111HD | | | SL-18HD | DFM 95SLIHD | |
| | MCK-14HD 120" Clear | 780-111HD | | | SL-18HD | CFM 120SLIHD | |
| | MCK-14HD 120" Bronze | 780-111HD | | | SL-18HD | DFM 120SLIHD | |

McKINNEY Hinge Catalog

Cross Reference

Continuous Aluminum Geared Hinge



Roton, Stanley, Markar, Select and Pemko Product Numbers and McKINNEY Equivalent Numbers

| | McKinney # | Roton # | Stanley # | Markar # | Select # | Pemko # | Zero# | |
|---|-------------------|----------------------|-----------|-----------|----------|-----------|------------|---------|
| 1/16" Inset Mount with Door Leaf Lip | Heavy Duty | MCK-58HD 83" Clear | 780-157HD | 664HD | FS-2002 | SL-57A-HD | CFS83CP HD | |
| | | MCK-58HD 83" Bronze | 780-157HD | 664HD | FS-2002 | SL-57D-HD | DFS83CP HD | |
| | | MCK-58HD 85" Clear | 780-157HD | 664HD | FS-2002 | SL-57A-HD | CFS85CP HD | |
| | | MCK-58HD 85" Bronze | 780-157HD | 664HD | FS-2002 | SL-57D-HD | DFS85CP HD | |
| | | MCK-58HD 95" Clear | 780-157HD | 664HD | FS-2002 | SL-57A-HD | CFS95CP HD | |
| | | MCK-58HD 95" Bronze | 780-157HD | 664HD | FS-2002 | SL-57D-HD | DFS95CP HD | |
| | Heavy Duty | MCK-25HD 83" Clear | 780-224HD | 662HD | FM-2011 | SL-24HDCL | CFM 83HD | 914DB-A |
| | | MCK-25HD 83" Bronze | 780-224HD | 662HD | FM-2011 | SL-24HDBR | DFM 83HD | 914DB-D |
| | | MCK-25HD 85" Clear | 780-224HD | 662HD | | SL-24HDCL | CFM 85HD | 914DB-A |
| | | MCK-25HD 85" Bronze | 780-224HD | 662HD | | SL-24HDBR | DFM 85HD | 914DB-D |
| | | MCK-25HD 95" Clear | 780-224HD | 662HD | FM-2011 | SL-24HDCL | CFM 95HD | 914DB-A |
| | | MCK-25HD 95" Bronze | 780-224HD | 662HD | FM-2011 | SL-24HDBR | DFM 95HD | 914DB-D |
| | | MCK-25HD 120" Clear | 780-224HD | 662HD | FM-2011 | SL-24HDCL | CFM 120HD | 914DB-A |
| | | MCK-25HD 120" Bronze | 780-224HD | 662HD | FM-2011 | SL-24HDBR | DFM 120HD | |
| Full Surface | Heavy Duty | MCK-22HD 83" Clear | 780-210HD | 665HD | FS-2002 | SL-21HDCL | CFS83FD | |
| | | MCK-22HD 83" Bronze | 780-210HD | 665HD | FS-2002 | SL-21HDBR | DFS83FD | |
| | | MCK-22HD 85" Clear | 780-210HD | 665HD | | SL-21HDCL | CFS83FD | |
| | | MCK-22HD 85" Bronze | 780-210HD | 665HD | | SL-21HDBR | DFS83FD | |
| | | MCK-22HD 95" Clear | 780-210HD | 665HD | FS-2002 | SL-21HDCL | CFS83FD | |
| | | MCK-22HD 95" Bronze | 780-210HD | 665HD | FS-2002 | SL-21HDBR | DFS83FD | |
| | | MCK-22HD 120" Clear | 780-210HD | 665HD | FS-2002 | SL-21HDCL | CFS83FD | |
| MCK-22HD 120" Bronze | 780-210HD | 665HD | FS-2002 | SL-21HDBR | DFS83FD | | | |
| Half Surface | Heavy Duty | MCK-54HD 83" Clear | 780-053HD | 663HD | HS2003 | SL-53HDCL | CHS83HD | 930DB-A |
| | | MCK-54HD 83" Bronze | 780-053HD | 663HD | HS2003 | SL-53HDBR | DHS83HD | 930DB-A |
| | | MCK-54HD 85" Clear | 780-053HD | 663HD | | SL-53HDCL | CHS83HD | 930DB-A |
| | | MCK-54HD 85" Bronze | 780-053HD | 663HD | | SL-53HDBR | DHS83HD | 930DB-D |
| | | MCK-54HD 95" Clear | 780-053HD | 663HD | HS2003 | SL-53HDCL | CHS83HD | 930DB-A |
| | | MCK-54HD 95" Bronze | 780-053HD | 663HD | HS2003 | SL-53HDBR | DHS83HD | 930DB-D |
| | | MCK-54HD 120" Clear | 780-053HD | 663HD | HS2003 | SL-53HDCL | CHS83HD | |
| | | MCK-54HD 120" Bronze | 780-053HD | 663HD | HS2003 | SL-53HDBR | DHS83HD | |

McKINNEY Hinge Catalog Comparative Finish Symbols

| McKINNEY | U.S. | Description | | | | | ANSI/BHMA Finish Code Base Material | | | |
|----------|-------|---|----------|---------|-------|--------|--|-------|--------|-----------|
| | | | Lawrence | Stanley | Hager | Bommer | Steel | Brass | Bronze | Stainless |
| P | USP | Primed for Painting | P | USP | USP | USP | 600 | | | |
| D-4 | US1D | Dull Black | | US1D | US1D | US1B | 601 | | | |
| 2C | US2C | Zinc Plated, Commercial | | US2C | US2C | US2G | 602 | | | |
| 3 | US3 | Bright Brass | 3 | US3 | US3 | US3 | 632 | 605 | | |
| 4 | US4 | Dull Brass | DB | US4 | US4 | US4 | 633 | 606 | | |
| 5 | US5 | Dull Brass, Oxidized | | US5 | US5 | US5 | 638 | 609 | | |
| 7 | US7 | Brass, Nickel Oxidized Bright Relieved | | | US7 | US7 | 636 | 610 | | |
| 9 | US9 | Bright Bronze | | US9 | US9 | US9 | 637 | | 611 | |
| 10 | US10 | Dull Bronze | 10 | US10 | US10 | US10 | 639 | | 612 | |
| 10A | US10A | Antique Bronze, Lacquered | 10A | US10A | US10A | US10A | | | | |
| 10B | US10B | Antique Bronze, Oiled | | US10B | US10B | US10B | 640 | | 613 | |
| 11 | US11 | Dull Bronze, Oxidized | | US11 | US11 | US14 | 643 | | 616 | |
| 14 | US14 | Bright Nickel Plated | | US14 | US14 | US14 | 645 | 618 | 618 | |
| 15 | US15 | Dull Nickel Plated | | US15 | US15 | US15 | 646 | 619 | 619 | |
| 15A | US15A | Nickel Oxidized Relieved | | | US15A | US15A | 647 | 620 | 620 | |
| 17A | US17A | Half Polished Iron, Smooth | | US17A | US17A | US17A | 648 | 621 | 621 | |
| 20 | US20 | Statuary Bronze, Light | | US20 | US20 | | 649 | | 623 | |
| 20A | US20A | Statuary Bronze, Dark | | US20A | US20A | | 650 | | 624 | |
| 26 | US26 | Bright Chromium | 26 | US26 | US26 | US26 | 651 | 625 | 625 | |
| 26D | US26D | Dull Chromium | 26D | US26D | US26D | US26D | 652 | 626 | 626 | |
| 32 | US32 | Polished Stainless Steel | | US32 | US32 | US32 | | | | 629 |
| 32D | US32D | Dull Stainless Steel | 32D | US32D | US32D | US32D | | | | 630 |
| 3C | | Bright Brass with Clear Powder Coat | | | | | | | | |
| 4C | | Dull Brass with Clear Powder Coat | | | | | | | | |
| 15C | | Dull Nickel with Clear Powder Coat | | | | | | | | |
| AP | | Aluminum Lacquer | | LA | LS | FL2 | | | | |
| D-2 | | CO-Laq, Medium | | DM | L3 | | | | | |
| D-3 | | CO-Laq, Dark | | DD | L2 | FB3 | | | | |
| D-4 | | CO-Laq, Black | | | L1 | | | | | |
| GT | | Grey Tone | | | | | | | | |
| PB | | Powdered Beige | | | | | | | | |
| P-G | | Powdered Gold | | | | | | | | |
| P-W | | Powdered White | | DW | 13P | | | | | |

Every effort is made by McKinney to furnish finishes which do comply with the U.S. Standard, however, we cannot guarantee that our finish will match other manufacturers finish. Where a special finish or a matched finish is required, a sample must be submitted with the order.

| | | | | | |
|---------------------|---------------------|------------------------|-----|------------------|---------------------|
| 35 | 75 | MCK HG311 | 132 | TA2714 | 34 |
| 451, 452, 453 | 76 | MCK HG315 | 113 | TA2731 | 26 |
| 703 | 95 | MCK HG322 | 135 | TA2771 | 68 |
| 1001 | 77-78 | MCK HG323 | 136 | TA2772 | 60 |
| 1400, 1414, 1458 | 96 | MCK HG326 | 137 | TA2774 | 50 |
| 1502, 1552 | 71 | MCK HG3505 | 143 | TA2798 | 35 |
| 1522 | 72 | MCK HM304 | 127 | TA2895 | 38 |
| 1572 | 73 | MCK HS303 | 126 | TA3331 | 26 |
| 3001 | 82 | MCK HS3703 | 147 | TA3350 | 27 |
| 4007-MRB, 4007-RB | 83 | MCK - WT-HD | 114 | TA3374 | 50 |
| 8007 | 84 | MG-16 | 93 | TA3383 | Discontinued |
| 9001 | 79 | MM Option | 92 | TA3750 | 27 |
| 19001 | 80 | MP79, MPB79 | 40 | TA3784 | 51 |
| AdjustaScrew | 121, 122 | MPB68, MPB99 | 42 | TA5391 | 45 |
| ACC Option | 91 | MPB91 | 41 | TA5392 | 46 |
| BP-10, BP-11, BP-12 | 85 | MT-SP-100 | 152 | TA5393 | 47 |
| CC Option | 90 | PH-4 | 94 | TA5394 | 48 |
| CS1 | 74 | QC Option | 89 | TA5791 | 45 |
| CSS-9 | 86 | RB-TA2314, RB-TA2714 | 98 | TA5792 | 46 |
| DLS-8 | 88 | RB-T4A3386, RB-T4A3786 | 98 | TA5793 | 47 |
| DS-6 | 87 | SER Option | 91 | TA5794 | 48 |
| EP-5J | 43 | Slip-In Hinge | 99 | TCA2314, TCA2714 | 34 |
| FirePins | 106 | T714 | 28 | TCA2771 | 68 |
| H8007 | 84 | T2314, T2714 | 33 | TCA2772 | 60 |
| HS1001 | 81 | T2731 | 25 | TCA2774 | 50 |
| HTA2714 | 34 | T2772 | 59 | TCA3374 | 50 |
| HTA386 | 30 | T2774 | 49 | TCA3381 | 66 |
| HTA386 - MSP | 44 | TA314 | 29 | TCA3382 | 61 |
| HTA714 | 29 | TA371 | 67 | TCA3384 | 53 |
| HTA786 | 30 | TA372 | 57 | TCA3386 | 36 - 37 |
| ICHTB386 | Discontinued | TA374 | 51 | TCA3781 | 66 |
| IHTB386, IHTB786 | 31 | TA381 | 65 | TCA3782 | 61 |
| Interim Hinge | 100 | TA382 | 58 | TCA3784 | 53 |
| J3001 | 82 | TA384 | 52 | TCA3786 | 36 - 37 |
| MCK-12HD | 107 | TA386 | 30 | T4A3381 | 66 |
| MCK-14HD | 108 | TA391 | 45 | T4A3382 | 61 |
| MCK-22HD | 109 | TA392 | 46 | T4A3384 | 53 |
| MCK-25HD | 110 | TA393 | 47 | T4A3386 | 36 - 37 |
| MCK-28HD | 111 | TA394 | 48 | T4A3395 | 39 |
| MCK-35HD | 115 | TA714 | 29 | T4A3781 | 66 |
| MCK-38HD | 115 | TA771 | 67 | T4A3782 | 61 |
| MCK-54HD | 112 | TA772 | 57 | T4A3784 | 53 |
| MCK-58HD | 113 | TA774 | 51 | T4A3786 | 36 - 37 |
| MCK-EG-308 | 149 | TA781 | 65 | T4A3789 | 55 |
| MCK-EG-C308 | 150 | TA782 | 58 | T4A3795 | 39 |
| MCK-EG-T308 | 151 | TA784 | 52 | T4A3796 | 63 |
| MCK FM3500 | 139,140 | TA786 | 30 | T4A3797 | 70 |
| MCK FM3700 | 144 | TA789 | 54 | T4A4795 | 39 |
| MCK FM300 | 123 | TA791 | 45 | TA4895 | 38 |
| MCK FS301 | 124 | TA792 | 46 | T6A3386, T6A3786 | 36 |
| MCK FS309 | 130 | TA793 | 47 | TCA2371 | 68 |
| MCK FS321 | 134 | TA794 | 48 | TCA2372 | 60 |
| MCK FS3501 | 141 | TA795 | 32 | TCA4395 | 39 |
| MCK FS3502 | 142 | TA796 | 62 | | |
| MCK FS3701 | 145 | TA797 | 69 | | |
| MCK FS3702 | 146 | TA2314 | 34 | | |
| MCK FS302 | 125 | TA2371 | 68 | | |
| MCK HG305 | 128 | TA2372 | 60 | | |
| MCK HG306 | 129 | A2395 | 38 | | |
| MCK HG310 | 131 | TA2398 | 35 | | |

General Information

| | | | | | |
|--------------------------------|-----|--|-----|-----------------------|--------|
| Aluminum Continuous Gear Hinge | 102 | Rust Resistant Base | 23 | Prison Safety Feature | 5 |
| Beveled Edge | 9 | Safety Stud | 5 | Screws | 0 - 21 |
| Non-Removable Pins | 7 | Stainless & Steel Pin & Barrel Hinge Information | 117 | Tips | 6 |
| Raised Barrel | 13 | UL & NFPA Reference Information | 17 | | |
| Round Corner | 8 | | | | |

McKINNEY Products Company • 225 Episcopal Road • Berlin • CT 06037 • Phone: 800.346.7707 • Fax: 800.541.1073
ASSA ABLOY Door Security Solutions Canada • 160 Four Valley Drive • Vaughan, Ontario • L4K 4T9 • Tel: 800.461.3007 • Fax: 905.738.2478 • www.assaabloy.ca

Founded in 1864, McKINNEY Products Company is a market leader in the manufacture of quality architectural grade hinges including security hinges, and continuous hinges for the builders' hardware industry.

Copyright © 2006-2010, McKinney Products Company, an ASSA ABLOY Group company. All rights reserved.

Reproduction in whole or in part without the express written permission of McKinney Products Company is prohibited.

ASSA ABLOY is the global leader in door opening solutions, dedicated to satisfying end-user needs for security, safety and convenience.