



Auxiliary Locks

Cabinet Locks, Deadlocks, Padlocks



An ASSA ABLOY Group brand

ASSA ABLOY



Table of Contents

CONTENTS

Yale Commercial Solutions 3
 Finishes 4
 How to Order 5
 D Series Cylindrical Deadbolts 6-10
 Mortise Deadlocks 11-12
 Padlocks 13-17
 Auxiliary Rim Locks/Components 18-24
 Cabinet Locks 25
 Special Purpose Locks 26
 Electrical Switch Cylinders 27
 YSSL10 Auxiliary Latch 28

AUXILIARY LOCKS

Yale provides a wide range of auxiliary and special purpose locks designed to fit a variety of demanding applications. Product offerings include high quality latchlocks, deadlocks, deadbolts and rim locks with both standard and alternative rim cylinders. Cabinet locks, special purpose locks and padlocks are also available, completing a collection of dependable products specifically engineered to provide strong security and key control.

Whether your requirements are for a basic or more sophisticated security system, Yale Works for YouSM.

PRODUCTS



Padlocks



Cabinet Locks



Auxiliary Rim Locks



Cylindrical Deadbolts



MicroShield[®]

As part of their promise to provide innovative solutions to their customers, certain ASSA ABLOY Group brands offer the MicroShield[®] technology, a silver-based antimicrobial coating designed to inhibit the growth of bacteria.

MicroShield[®] is a registered trademark of Yale Security Inc., an ASSA ABLOY Group company.



Yale Commercial Solutions

Yale® Commercial Solutions offers innovative and reliable products to solve the challenges of commercial, retail, hospitality, assisted living, mixed-use and multi-family properties. With over 150 years of door hardware experience, Yale's expertise extends beyond products to people - and provides the service and support you expect.

Featuring durable products to meet all your facilities' requirements, and the quality you expect from a leader in the door hardware industry, Yale Works for YouSM.

Cylindrical Locks



- ANSI/BHMA Certification provides strength and durability
- Suitable for a range of commercial applications
- Available in a wide variety of functions and finishes
- Ideal for offices, commercial buildings, and more

Mortise Locks



- ANSI/BHMA Grade 1 Certification offers strength and reliability
- Heavy-duty trim resists damage and vandalism
- Well-suited to any industrial or commercial application
- Ideal for offices, shopping centers, commercial spaces and more

Exit Devices



- Available in economy, commercial, architectural and traditional styles to suit any application
- Rim, SquareBolt®, concealed vertical rod, surface vertical rod configurations and electrified options offered
- ANSI/BHMA certifications for durability

















Door Closers



- Range of installation and arm options available
- Wide variety of functions available including backcheck, closing speed, latching speed and delayed action



Finishes

| ANSI/BHMA Code Finish Description | | | | | |
|---|--|---|--|--|--|
| 605 Bright Brass, Clear Coated  | 606 Satin Brass, Clear Coated  | 609 Satin Brass, Blackened, Satin Relieved, Clear Coated  | 611 Bright Bronze, Clear Coated  | 612 Satin Bronze, Clear Coated  | 613 Dark Oxidized Satin Bronze, Oil Rubbed ¹  |
| 613E Dark Oxidized Satin Bronze - equivalent  | 616 Satin Bronze, Blackened, and Satin Relieved, Clear Coated  | 619 Satin Nickel Plated, Clear Coated  | 620 Satin Nickel Plated, Blackened, Satin Relieved, Clear Coated  | 625 Bright Chrome Plated  | 626 Satin Chrome Plated  |
| 629 Bright Stainless Steel  | 630 Satin Stainless Steel  | 693 Black Painted  | 722 Black Oxidized Bronze, Oil Rubbed ¹  | | |

1. 613 and 722 finishes available by Special Product Application Request only. Contact customer service for more information.



Finish available with MicroShield[®] antimicrobial coating. Add YMS suffix to order MicroShield antimicrobial coating.

MicroShield coating may vary finish color from architectural standards. MicroShield is not intended as a substitute for traditional infection control programs such as hand hygiene or use of disinfectants. Coated products must still be cleaned to ensure the surfaces will be free of destructive microbes. Yale makes no representations or warranties, express or implied, as to the efficacy of MicroShield.



How to Order

The following is an example order string for reference when placing your order. The item you order may or may not require use of all indicated segments. Please refer to the relevant product page(s) to include all necessary information that will allow us to properly fill your order.

| Qty. | Model # | Highest Keying Level | Description | Finish | Hand | Strike | Cylinder | Door Thickness | Other* |
|------|---------|----------------------|-------------|--------|------|--------|----------|----------------|--------|
| 100 | 351 | MK | Lock | 612 | RH | 30S | 2153 | 1-3/4" | |

*Specific keying, 7-pin cylinder, spacer plate, special cylinder rings, etc.

HOW TO ORDER D SERIES DEADBOLTS

| Function | Hand | Cylinder | Door Thickness | Keying | Finish |
|----------|------|----------|----------------|--------|--------|
| D212 | RH | 1807 | 1-3/4" | KR | 626 |

Deadbolt Model Number Description:

| D | X | X | X |
|--------------|-------|----------|---|
| Model Number | Grade | Function | Backset "1" = 2-3/8" "2" = 2-3/4" |



D Series Cylindrical Deadbolts

Yale® D Series deadbolts are the ideal choice for a wide variety of commercial applications where consistent quality, ease of use and installation are required.



TECHNICAL INFORMATION

| | |
|----------------|---|
| ANSI/BHMA | D100: Certified ANSI/BHMA A156.5 Grade 1. D200: Certified ANSI/BHMA A156.5 Grade 2. |
| Fire Listings | D series deadbolts, when used in conjunction with the primary latching device, are UL - cUL listed for use with Classified steel covered composite or hollow metal doors rated up to and including 3 hours; wood and plastic covered composite doors rated up to and including 1-1/2 hours; and wood core doors rated for 20 minutes. Note: Any retrofit or other field modification to a fire rated opening can potentially impact the fire rating of the opening, and Yale Locks & Hardware makes no representations or warranties concerning what such impact may be in any specific situation. When retrofitting any portion of an existing fire rated opening, or specifying and installing a new fire-rated opening, please consult with a code specialist or local code official (Authority Having Jurisdiction) to ensure compliance with all applicable codes and ratings. |
| Deadbolt | 1" (25mm) throw, solid steel deadbolt with hardened, free spinning, steel pin insert. |
| Fronts | 2-1/4" x 1" (57mm x 25mm) front and 1-1/8" (29mm) latch front filler supplied standard with each D series deadbolt. |
| Strikes | 2-3/4" x 1-1/8" (70mm x 29mm) metal and wood door strikes with strike reinforcement supplied standard. |
| Handing | Functions are non-handed and easily field reversible. |
| Backset | 2-3/4" (70mm) or 2-3/8" (60mm) backset. |
| Door Thickness | Standard for 1-3/8" (35mm) to 1-3/4" (44mm) thick doors. |
| Installation | Can be installed on doors prepared to ANSI/BHMA A156.115 specifications using a simple bored-hole installation for square or beveled doors, opening in or out. |
| Finishes | 605, 606, 612, 613, 613E, 619, 625, 626. See page 4 for more information. Cylinders provided in 606 finish only. |
| Warranty | 1 year mechanical |

OPTIONS

- Available with visual occupancy indicator options, displaying "In Use" or "Vacant" depending on the status of the deadbolt
- Several SFIC functions feature concealed interior screws that only the control key may access. See page 7 for available functions.



Occupancy indicator options as shown when deadbolt retracted and thrown





D Series Cylindrical Deadbolts

D100 GRADE 1

| D111 & D112 B-D171 & B-D172* | D121 & D122** | D131 & D132 | D141 & D142 | D151 & D152 | D161 & D162 B-D181 & B-D182* |
|---|--|--|--|---|--|
| | | | | | |
| Cylinder x Thumbturn: Deadbolt operated by key outside, thumbturn inside. | Cylinder x Cylinder: Deadbolt operated by key outside, key inside. | Cylinder x Blank Rose: Deadbolt operated by key outside. Blank rose with exposed screws inside. | Blank Plate x Thumbturn: Deadbolt operated by thumbturn inside only. | Blank Plate x Cylinder: Deadbolt operated by key inside only. | Cylinder x Classroom Thumbturn: Deadbolt operated by key outside, deadbolt retracted by thumbturn inside. Thumbturn will not project deadbolt. |

*Concealed interior screws. Available SFIC only.
**SFIC version features concealed interior screws.

D200 GRADE 2

| D211 & D212 | D221 & D222** | D231 & D232 | D241 & D242 | D251 & D252 | D261 & D262 | D291 & D292 |
|---|--|--|--|---|--|--|
| | | | | | | |
| Cylinder x Thumbturn: Deadbolt operated by key outside, thumbturn inside. | Cylinder x Cylinder: Deadbolt operated by key outside, key inside. | Cylinder x Blank Rose: Deadbolt operated by key outside. Blank rose with exposed screws inside. | Blank Plate x Thumbturn: Deadbolt operated by thumbturn inside only. | Blank Plate x Cylinder: Deadbolt operated by key inside only. | Cylinder x Classroom Thumbturn: Deadbolt operated by key outside, deadbolt retracted by thumbturn inside. Thumbturn will not project deadbolt. | Occupancy Indicator x Thumbturn Deadbolt operated by thumbturn inside, emergency override key outside. Outside indicator displays "In Use" when deadbolt thrown or "Vacant" when deadbolt retracted. |

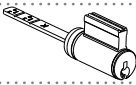
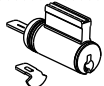
MODEL NUMBERS

| Model Numbers | | ANSI (Grade 1 / Grade 2) | Function Description | Backset |
|----------------|------|-----------------------------|------------------------------------|---------|
| D100 | D200 | | | |
| D111 or B-D171 | D211 | E2151 / E2152 | Cylinder x Thumbturn | 2-3/8" |
| D112 or B-D172 | D212 | | | 2-3/4" |
| D121 | D221 | E2141 / E2142 | Cylinder x Cylinder | 2-3/8" |
| D122 | D222 | | | 2-3/4" |
| D131 | D231 | E2161 / E2162 | Cylinder x Blank Rose | 2-3/8" |
| D132 | D232 | | | 2-3/4" |
| D141 | D241 | E2191 / E2192 | Blank Plate x Thumbturn | 2-3/8" |
| D142 | D242 | | | 2-3/4" |
| D151 | D251 | E2101 / E2102 | Blank Plate x Cylinder | 2-3/8" |
| D152 | D252 | | | 2-3/4" |
| D161 or B-D181 | D261 | E2171 / E2172 | Cylinder x Classroom Thumbturn | 2-3/8" |
| D162 or B-D182 | D262 | | | 2-3/4" |
| N/A | D291 | N/A | Occupancy Indicator x Thumbturn | 2-3/8" |
| N/A | D292 | | | 2-3/4" |



D Series Cylinders/Keying

FIXED CORE

| Illustration | Type | Model Number | Number of Pins |
|---|--|--------------|----------------|
|  | Cylinder for use with DX11, DX12, DX31, DX32, DX51, DX52, DX61, DX62. Includes breakoff tailpiece. | 1807 | 6 |
|  | Cylinder for use with DX21, DX22. Includes optional tailpiece for 1-3/8" thick doors. | 1808 | 6 |

Note: For 'X' in model number, use '1' for D100 Series and '2' for D200 Series.

INTERCHANGEABLE CORE

| Type | Model Number | Number of Pin |
|--|--------------|------------------|
| Large Format Interchangeable Core | 1210 | 6 |
| Large Format Interchangeable Core | 1220 | 7 |
| Security Large Format Interchangeable Core | 5210 | 6 |
| Security Large Format Interchangeable Core | 5220 | 7 |
| Yale® KeyMark® Large Format Interchangeable Core | K800 | 6 or 7 (Specify) |
| Yale® KeyMark® Small Format Interchangeable Core | K600 | 6 or 7 (Specify) |



K800 Shown



K600 Shown

Note: Large Format IC core available for D100 series only. Specify deadbolt model number x core model number. i.e. D112 x 1210 or D112 x 5210

Keying:

All cylinders furnished standard 6-pin, keyed random, pinned to Yale .019" specification. Each deadbolt furnished with two nickel silver keys.

Options:

Cylinders available 0-bitted, keyed alike, master keyed or construction master keyed upon request. (Yale® KeyMark® cylinders not available 0-bitted.)


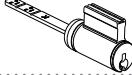
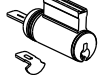
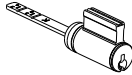
SMALL FORMAT INTERCHANGEABLE CORE

| Cylinder Type | Prefix | Ordering Example |
|--|--------|------------------------------|
| SFIC (Accepts all Small Format Interchangeable Cores) 6- or 7-pin. | B | B-D112 x 626 or B-D212 x 626 |



D Series Cylinders/Keying

COMPETITOR KEYWAY CYLINDERS/CORES

| Illustration | Type | Model Number | Number of Pins |
|---|---|--------------|---------------------|
|  | Best® Keyway Core. Available keyed random, master keyed or uncombined. Specify keyway A, B, C, D, E, F, G, H, J, K, L or M. | A600 | 6 or 7 (Specify) |
|  | Schlage® "C" Keyway Cylinder. For use with DX11, DX12, DX31, DX32, DX51, DX52, DX61, DX62. Includes breakoff tailpiece. Available 0-bitted or keyed random. | 2807-C | 6 |
|  | Schlage® "C" Keyway Cylinder. For use with DX21, DX22. Includes optional tailpiece for 1-3/8" thick doors. Available 0-bitted or keyed random. | 2808-C | 6 |
|  | Corbin Russwin "L4" Keyway Cylinder. Available keyed random. | 3806 x L4 | 6 |
| | Corbin "60" Keyway Cylinder. Available keyed random. | 3806 x 60 | 6 |
| | Russwin "D1" Keyway Cylinder. Available keyed random. | 3806 x D1 | 6 |
| | Sargent "LA" Keyway Cylinder. Available keyed random. | 3806 x LA | 6 |
| | Schlage® "E" Keyway Cylinder. Available keyed random. | 3806 x E | 6 |

Note: 3806 cylinders are supplied with applicable tailpieces that are needed operate all D Series functions. These cylinders are not ANSI/BHMA certified.

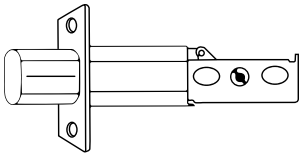


D Series Cylindrical Deadbolts

DEADBOLT ASSEMBLIES

| Model No. | Backset | Throw | Front |
|-----------|---------------|-----------|----------------------------------|
| D34 | 2-3/4" (70mm) | 1" (25mm) | Square 2-1/4" x 1" (57mm x 25mm) |
| D38 | 2-3/8" (60mm) | 1" (25mm) | Square 2-1/4" x 1" (57mm x 25mm) |
| D34R | 2-3/4" (70mm) | 1" (25mm) | Radius 2-1/4" x 1" (57mm x 25mm) |
| D38R | 2-3/8" (60mm) | 1" (25mm) | Radius 2-1/4" x 1" (57mm x 25mm) |

Note: 1-1/8" (29mm) Front filler supplied standard with all square corner fronts.



STRIKES

Each D series deadbolt furnished standard with metal frame strike, wood frame strike and strike reinforcement.

| | | |
|--|---|--|
| | | |
| Model D243 Metal Frame Strike | Model D243 Wood Frame Strike | Model D244 Strike Reinforcement |

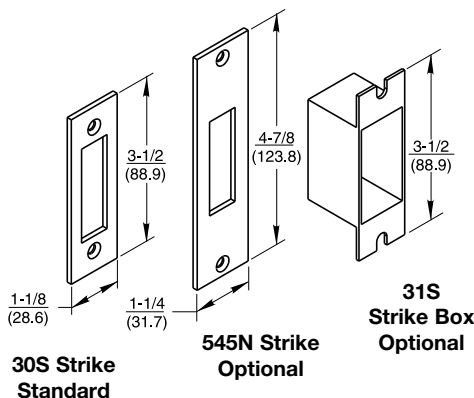
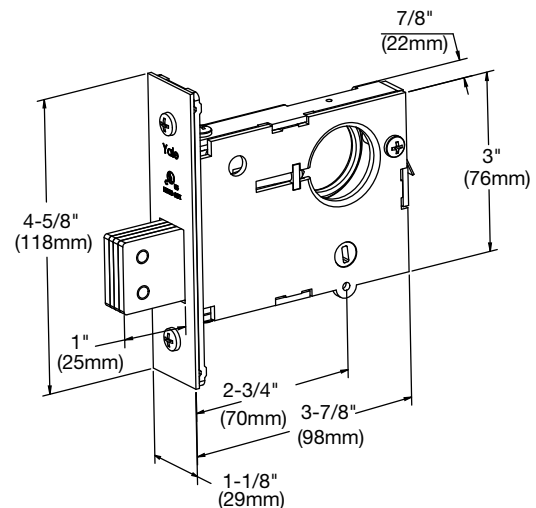
Note: Model D243 is a strike packet which includes both wood and metal frame strikes and corresponding screws.



350 Series Mortise Deadlocks

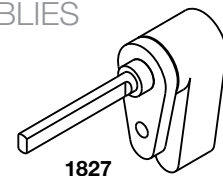
TECHNICAL INFORMATION

| Description | 350 |
|---------------|---|
| Application | Mortise installation for 1-3/4" (44mm) doors, unless otherwise specified. 3" thick doors maximum for thumbturn functions. |
| Backset | 2-3/4" (70mm) only. |
| Door Prep | The 350 series mortise deadlocks conform to ANSI/BHMA Specifications A156.115 which cover hardware preparations for steel doors and steel frames and A156.115-W which cover hardware preparations for wood doors with wood or steel frames. |
| Fire Listings | 350 series deadlocks, when used in conjunction with the primary latching device, are UL - cUL listed for use on fire doors having a rating up to and including 3 hours. In addition, the 350 series are cUL listed for use on wood doors having a rating up to and including 90 minutes. Note: Any retrofit or other field modification to a fire rated opening can potentially impact the fire rating of the opening, and Yale Locks & Hardware makes no representations or warranties concerning what such impact may be in any specific situation. When retrofitting any portion of an existing fire rated opening, or specifying and installing a new fire-rated opening, please consult with a code specialist or local code official (Authority Having Jurisdiction) to ensure compliance with all applicable codes and ratings. |
| Handing | Functions are non-handed and easily field reversible. |
| Deadbolt | Laminated stacked steel with hardened pin, 1" (25mm) throw. |
| Front | 4-5/8" x 1-1/8" (117mm x 29mm) Brass, bronze or stainless steel. Adjustable to accommodate flat or beveled-edged doors (bevel adjustment 1/8" in 2" (3mm in 51mm). |
| Case | Heavy wrought steel, zinc plated and dichromated. |
| Finishes | 605, 606, 611, 612, 613E, 618, 619, 625, 626, 629, 630, US10BL, US20D. See page 4 for more information. |
| Strike | 3-1/2" x 1-1/8", model number 30S provided standard. ANSI/BHMA A156.115 strike 4-7/8" x 1-1/4", model number 545N optional. Optional wrought box model number 31S available to order. |



THUMBTURN ASSEMBLIES

Used with all 350 series locks that have a thumbturn.

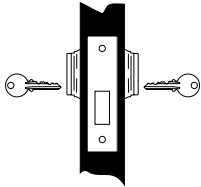
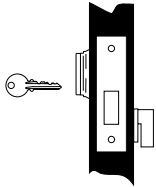
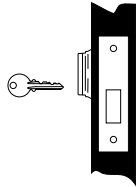
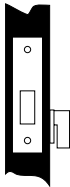
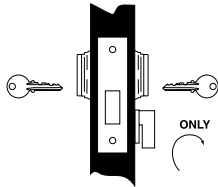
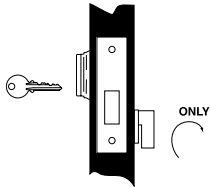


Dimensions are shown in inches (millimeters).



350 Series Mortise Deadlocks

FUNCTIONS

| | | |
|---|--|---|
| <p>351 Deadbolt operated by key outside and inside.</p>  <p>Outside Inside</p> | <p>352 Deadbolt operated by key outside and thumbturn inside.</p>  <p>Outside Inside</p> | <p>353 Deadbolt operated by key outside only. No inside operation.</p>  <p>Outside Inside</p> |
| <p>354 Deadbolt operated by thumbturn inside only. No outside operation.</p>  <p>Outside Inside</p> | <p>356 Deadbolt operated by key outside and inside. Inside thumbturn will retract deadbolt, but will not project it. Uses classroom function mortise lockbody.*</p>  <p>Outside Inside</p> | <p>357 Deadbolt operated by key outside. Inside thumbturn will retract deadbolt, but will not project it. Uses classroom function mortise lockbody.*</p>  <p>Outside Inside</p> |

*351, 352, 353 and 354 use lockbody p/n 50-0352-0001-999
356 and 357 use lockbody p/n 50-0357-0001-999

CYLINDERS

1-1/8", 6-pin fixed core mortise cylinder, model number 2153 x 2160 cam provided standard.

| Model Number | Description | Length | Cam | Collar* |
|--------------|--------------------------------------|----------|------|----------|
| 2153 | 6-pin fixed core | 1-1/8" | 2160 | 1767.250 |
| 2153 | 7-pin fixed core | 1-1/4" | 2160 | 1765.375 |
| 2196 | 6-pin LFIC complete | 1-1/2" | 2160 | 1765.656 |
| 2197 | 7-pin LFIC complete | 1-11/16" | 2160 | 1765.844 |
| 5153 | 6-pin security fixed core | 1-1/8" | 2160 | 1765.250 |
| 5153 | 7-pin security fixed core | 1-1/4" | 2160 | 1765.375 |
| 5196 | 6-pin security LFIC complete | 1-1/2" | 2160 | 1765.656 |
| 5197 | 7-pin security LFIC complete | 1-11/16" | 2160 | 1765.844 |
| K100 | 6-or 7-pin Yale® KeyMark® fixed core | 1-1/8" | KC1 | 1765.312 |
| K820 | 6-pin Yale KeyMark LFIC complete | 1-1/2" | KC1 | 1765.656 |
| K820 | 7-pin Yale KeyMark LFIC complete | 1-11/16" | KC1 | 1765.844 |
| K620 | 6-pin Yale KeyMark SFIC complete | 1-1/4" | KC1 | 1765.375 |
| K620 | 7-pin Yale KeyMark SFIC complete | 1-3/8" | KC1 | 1765.563 |
| A620 | 6-pin Best® keyway SFIC complete | 1-1/4" | KC1 | 1765.375 |
| A620 | 7-pin Best® keyway SFIC complete | 1-3/8" | KC1 | 1765.563 |

*1-3/4" thick doors. For other door thicknesses, contact Technical Support. Collar must be specified when cylinder ordered separately.



PD400 Series Padlocks

FEATURES

Case: Chrome Plated Steel

Shackle: High strength molybdenum alloy steel. Rust resistant with a chrome finish. Optional brass shackles available.

Shackle Diameter: 5/16" (8mm)

Shackle Locking: Two hardened steel balls at heel and toe of shackle.

Extended Shackles: Optional shackles with 2" and 3" vertical clearance are available to order.

Chains: Optional 9" chains available with clevis around shackle. To order with padlocks specify suffix:

- "S42A" = brass chain
- "S42S" = steel chain

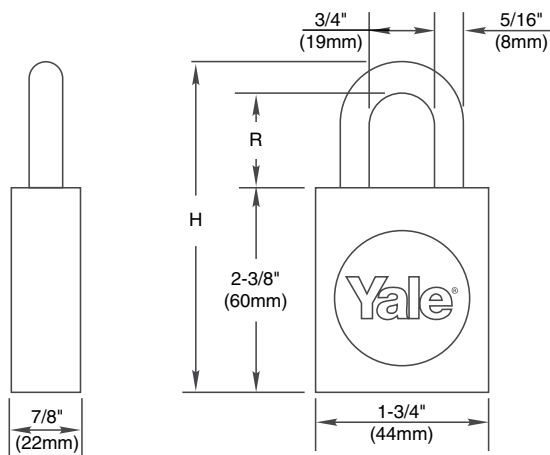
See page 17 for chains ordered separately.

Keying: 6-pin only. Furnished standard with Yale 1801 type component cylinder; available KA, KD or master keyed only (not available 0-bitted or unassembled). Not re-keyable.

Keys: Two nickel silver change keys supplied with each padlock.



DIMENSIONS AND DETAILS



| Model Numbers | | Description | Vertical Clearance (R) | Overall Height (H) | Pins |
|--------------------------|---------------|-------------|------------------------|--------------------|------|
| Molybdenum Steel Shackle | Brass Shackle | | | | |
| PD416 | PD416B | Fixed Core | 1-1/16" (27mm) | 3-3/4" (95mm) | 6 |
| PD2416 | PD2416B | Fixed Core | 2" (51mm) | 4-3/8" (111mm) | 6 |
| PD3416 | PD3416B | Fixed Core | 3" (76mm) | 5-3/8" (137mm) | 6 |

Note: All dimensions are in inches and are to the nearest 1/16" (2mm). Dimensions are nominal.



PD500 Series Padlocks

Available in fixed core, large format interchangeable core (LFIC), and small format interchangeable core (SFIC).

FEATURES

Case: Solid Brass

Shackle: High strength molybdenum alloy steel. Rust resistant with a chrome finish. Optional brass shackles available.

Shackle Diameter: 3/8" (10mm) or 5/16" (8mm)

Shackle Locking: Two hardened steel balls at heel and toe of shackle.

Extended Shackles: Optional shackles with 2" and 3" vertical clearance are available to order.

Chains: Optional 9" chains available with clevis around shackle or riveted to case. To order with padlocks specify suffix:

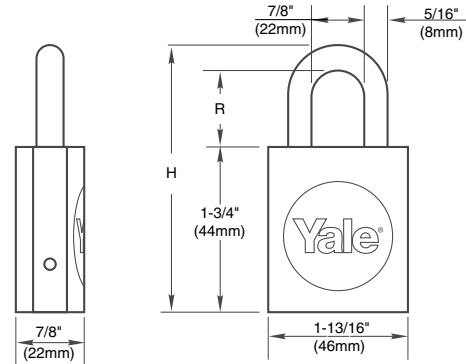
- for clevis around shackle
 - "S42A" = brass chain
 - "S42S" = steel chain
- for clevis riveted to case
 - "C42A" = brass chain
 - "C42S" = steel chain

See page 17 for chains ordered separately.

Keys: Two nickel silver change keys supplied with each padlock. Control key quantity must be specified for interchangeable core.



DIMENSIONS AND DETAILS



| Model Numbers | | Description | Case Height (C) | Vertical Clearance (R) | Diameter (S) | Overall Height (H) | Pins | | | | |
|--------------------------|---------------|-------------|-----------------|------------------------|----------------|--------------------|-----------------|----------------|----------------|----------------|--------|
| Molybdenum Steel Shackle | Brass Shackle | | | | | | | | | | |
| PD514 | PD514B | LFIC | 2-5/16" (59mm) | 1-1/16" (27mm) | 5/16" (8mm) | 3-3/4" (95mm) | 6 | | | | |
| PD2514 | PD2514B | LFIC | | 2" (51mm) | | 4-3/8" (111mm) | 6 | | | | |
| PD3514 | PD3514B | LFIC | | 3" (76mm) | | 5-3/8" (137mm) | 6 | | | | |
| PD515 | PD515B | SFIC | 2-1/4" (57mm) | 1-1/16" (27mm) | | 5/16" (8mm) | 3-5/8" (91mm) | 6 or 7 | | | |
| PD2515 | PD2515B | SFIC | | 2" (51mm) | | | 4-9/16" (115mm) | 6 or 7 | | | |
| PD3515 | PD3515B | SFIC | | 3" (76mm) | | | 5-5/8" (142mm) | 6 or 7 | | | |
| PD516 | PD516B | Fixed Core | 2-5/16" (59mm) | 1-1/16" (27mm) | | | 3/8" (10mm) | 3-3/4" (95mm) | 6 | | |
| PD2516 | PD2516B | Fixed Core | | 2" (51mm) | | | | 4-3/8" (111mm) | 6 | | |
| PD3516 | PD3516B | Fixed Core | | 3" (76mm) | | | | 5-3/8" (137mm) | 6 | | |
| PD524 | PD524B | LFIC | | 2-5/16" (59mm) | 1-1/16" (27mm) | | | 3/8" (10mm) | 3-3/4" (95mm) | 6 | |
| PD2524 | PD2524B | LFIC | | | 2" (51mm) | | | | 4-3/8" (111mm) | 6 | |
| PD3524 | PD3524B | LFIC | | | 3" (76mm) | | | | 5-3/8" (137mm) | 6 | |
| PD534 | PD534B | LFIC | | | 2-5/16" (59mm) | 1-1/16" (27mm) | | | 3/8" (10mm) | 3-3/4" (95mm) | 7 |
| PD2534 | PD2534B | LFIC | | | | 2" (51mm) | | | | 4-3/8" (111mm) | 7 |
| PD3534 | PD3534B | LFIC | | | | 3" (76mm) | | | | 5-3/8" (137mm) | 7 |
| PD525 | PD525B | SFIC | 2-5/16" (59mm) | | | 1-1/16" (27mm) | 3/8" (10mm) | | | 3-3/4" (95mm) | 6 or 7 |
| PD2525 | PD2525B | SFIC | | | | 2" (51mm) | | | | 4-3/8" (111mm) | 6 or 7 |
| PD3525 | PD3525B | SFIC | | | | 3" (76mm) | | | | 5-3/8" (137mm) | 6 or 7 |
| PD526 | PD526B | Fixed Core | | 2-5/16" (59mm) | | 1-1/16" (27mm) | | 3/8" (10mm) | | 3-3/4" (95mm) | 6 |
| PD2526 | PD2526B | Fixed Core | | | | 2" (51mm) | | | | 4-3/8" (111mm) | 6 |
| PD3526 | PD3526B | Fixed Core | | | | 3" (76mm) | | | | 5-3/8" (137mm) | 6 |

Note: All dimensions are in inches and are to the nearest 1/16" (2mm). Dimensions are nominal.



PD500 Series Padlocks

Keying: Padlocks available 0-bitted, uncombined, keyed alike keyed different or master keyed. *Note: Yale KeyMark cylinders and cores are not available 0-bitted.*



LFIC – Padlocks furnished standard less core. Available for Yale 6- or 7-pin large format interchangeable cores. Specify core and keying required.

Cores:

| Model Number | Description |
|--------------|--|
| 1210 | 6-pin Conventional |
| 1220 | 7-pin Conventional |
| 5210 | 6-pin Security |
| 5220 | 7-pin Security |
| K800 | 6- or 7-pin Yale® KeyMark® (Specify number of pins required) |

SFIC – Padlocks furnished standard less core. Available for 6- or 7-pin small format interchangeable core. Specify core and keying if required.

Cores:

| Model Number | Description |
|--------------|---|
| K600 | 6- or 7-pin Yale® KeyMark® (Specify number of pins required) |
| A600 | 6- or 7-Pin Best® Keyway (Specify keyway and number of pins required) |



Fixed Core – Available in 6-pin only. Furnished standard with Yale 1801 type component cylinder for easy re-keying in field. Security and Yale® KeyMark® cylinders available to order. Less cylinder also available, specify “x LC”. Padlocks provided less cylinder are furnished with cylinder sleeve and adaptor.

Cylinders:

| Model Number | Description |
|--------------|---|
| 1801 | Standard |
| 5801 | Security |
| K400 | Yale® KeyMark® |
| 2801 | Schlage® C Keyway (0-bitted or keyed random only) |



Cylinder and Sleeve



Unassembled



Assembled



PD600 Series Padlocks

FEATURES

Case: Solid brass

Shackle: High strength molybdenum alloy steel. Rust resistant with a chrome finish.

Shackle Diameter: 5/16" (8mm)

Shackle Locking: Two hardened steel balls at heel and toe of shackle.

Extended Shackles: Optional shackles with 2" and 3" vertical clearance are available to order.

Chains: Optional 9" chains available with clevis around shackle or riveted to case. To order with padlocks specify suffix:

- for clevis around shackle
 - "S42A" = brass chain
 - "S42S" = steel chain
- for clevis riveted to case
 - "C42A" = brass chain
 - "C42S" = steel chain

See page 17 for chains ordered separately.

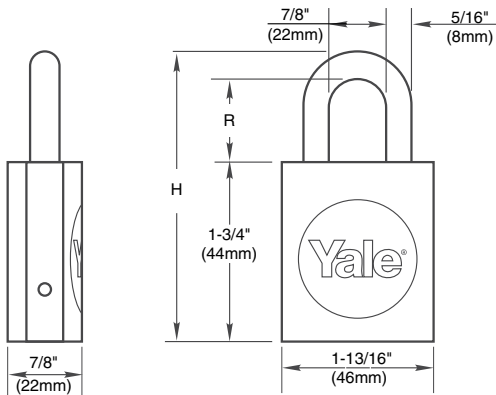
Keying: 6-pin only. Furnished standard with Yale 1801 type component cylinder; available KA, KD or master keyed (not available 0-bitted or unassembled). Not re-keyable.

Keys: Two nickel silver change keys supplied with each padlock.

Note: The PD616 padlocks are key retaining. This means that the key cannot be removed from the padlock while the shackle is in the "unlocked" position. The key can only be removed if the shackle is in the "locked" position.



DIMENSIONS AND DETAILS

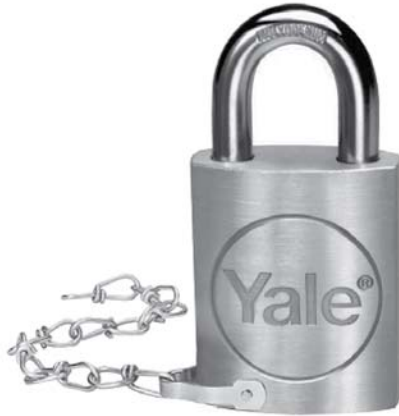


| Model Numbers | Description | Vertical Clearance (R) | Overall Height (H) | Pins |
|--------------------------|-------------|------------------------|--------------------|------|
| Molybdenum Steel Shackle | | | | |
| PD616 | Fixed Core | 1-3/16" (30mm) | 3-1/4" (82mm) | 6 |
| PD2616 | Fixed Core | 1-1/2" (38mm) | 3-9/16" (90mm) | 6 |

Note: All dimensions are in inches and are to the nearest 1/16" (2mm). Dimensions are nominal.



Padlock Chains



525 shown.

| Model No. | Material | Minimum Length | Shackle Diameter | Gauge Size |
|-----------|----------|----------------|--------------------------|------------|
| 42A | Brass | 9" (229mm) | 9/32"-5/16" (7mm-8mm) | 15 |
| 42S | Steel | 9" (229mm) | 9/32"-5/16" (7mm-8mm) | 15 |

Chains are used with PD400, PD500 and PD600 series padlocks. All chains are double-link type.

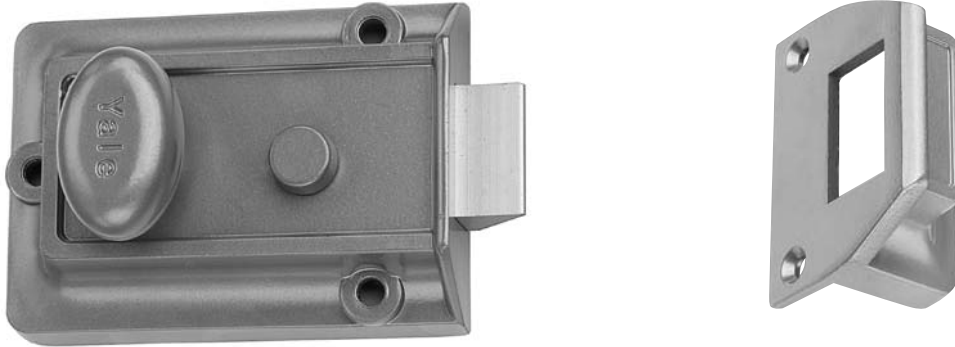
42A and 42S chains riveted to case.
Specify suffix "C42A" or "C42S".



42A and 42S chains with clevis.
Specify suffix "S42A" or "S42S".



Security Latchlock 80



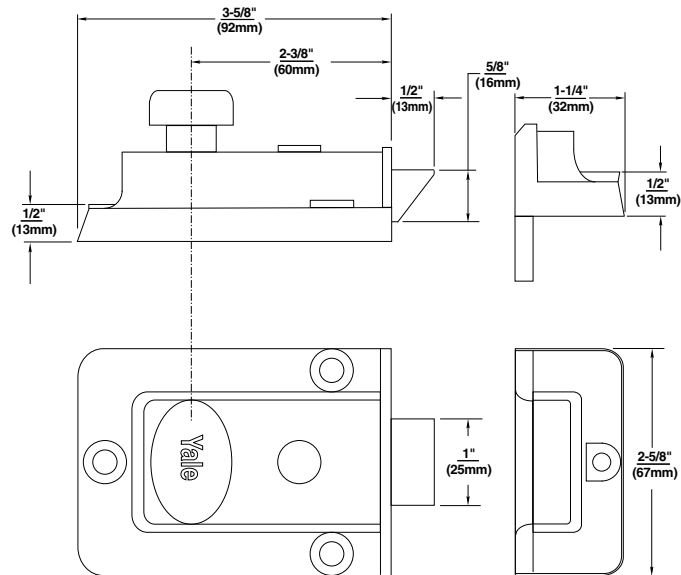
OPERATION

Outside: Furnished standard with 5-pin rim cylinder 1109E.

Inside: Bolt can be deadlocked or held back by slide button, rendering the lock inoperable by key or knob.

DIMENSIONS AND DETAILS

| Model Numbers | |
|---------------|-------------|
| 80 | Boxed |
| V80 | Visual Pack |



TECHNICAL INFORMATION

| Description | 80 |
|----------------------|---|
| Backset | 2-3/8" (60mm) |
| Material | Zinc Alloy |
| Springbolt Length | 1/2" (13mm) |
| Reversible Latchbolt | Yes, order #8RB Strike |
| Cylinder | 1109E - Brass 5-pin with anti-pick mushroom drivers |
| Case Finishes | Enameled Brasslux only |
| Cylinder Finish | Brass |
| 2 Keys | RB8 |
| Door Thickness | 1-3/8" to 2-1/4" (35mm-57mm) |

Dimensions are shown in inches (millimeters).



Security Latchlock 88



OPERATION

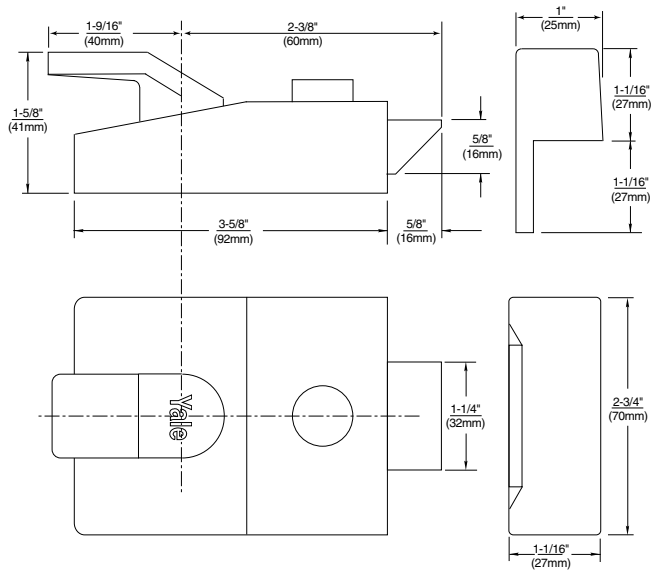
Outside: Furnished standard with 5-pin rim cylinder 1109E.

Inside: Bolt can be deadlocked or held back by slide button, rendering the lock inoperable by key or handle.

Model Numbers

| | |
|----|-------|
| 88 | Boxed |
|----|-------|

DIMENSIONS AND DETAILS



TECHNICAL INFORMATION

| Description | 88 |
|----------------------|---|
| Backset | 2-3/8" (60mm) |
| Material | Zinc Alloy |
| Springbolt Length | 5/8" (16mm) |
| Reversible Latchbolt | Yes, order #8RB Strike |
| Cylinder | 1109E - Brass 5-pin with anti-pick mushroom drivers |
| Case Finishes | Dark Metallic Grey only |
| Cylinder Finish | Brass |
| 2 Keys | RB8 |
| Door Thickness | 1-1/4" to 2-1/4" (32mm-57mm) |

Dimensions are shown in inches (millimeters).



Heavy-Duty Latchbolt 112

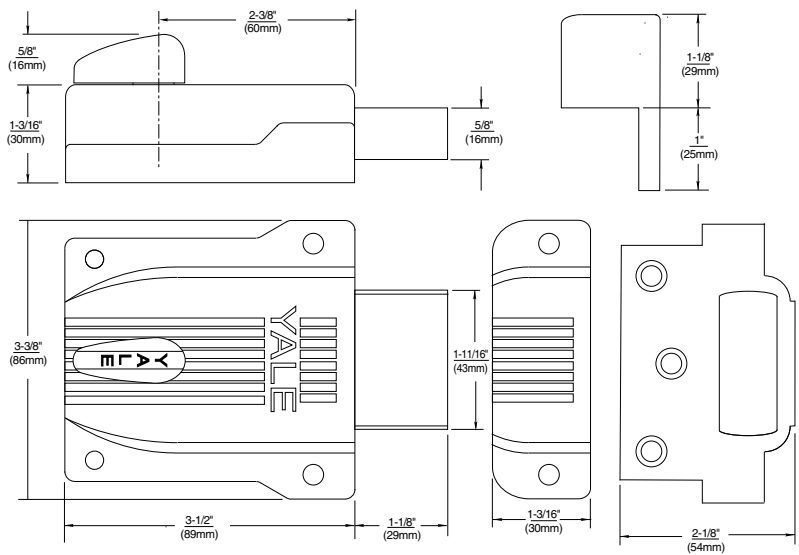


OPERATION

Outside: Furnished standard with 5-pin rim cylinder 1109E.

Inside: 180° turn of the thumbturn throws or retracts deadbolt. Also available with flat strike, model no. 112F (for outswinging doors).

DIMENSIONS AND DETAILS



| Model Numbers | |
|---------------|--------------------|
| 112 | Boxed |
| 112F | Flat Strike, Boxed |

TECHNICAL INFORMATION

| Description | 112 |
|-------------------|---|
| Backset | 2-3/8" (60mm) |
| Material | Zinc Alloy |
| Springbolt Length | 1-1/8" (29mm) |
| Cylinder | 1109E Brass 5-pin with anti-pick mushroom drivers |
| Case Finishes | Sprayed Brass only |
| Cylinder Finish | Brass |
| 2 Keys | RB8 |
| Door Thickness | 1-1/4" to 2-1/4" (32mm-57mm) |

Dimensions are shown in inches (millimeters).



Heavy-Duty Deadbolt 112-1/4



OPERATION

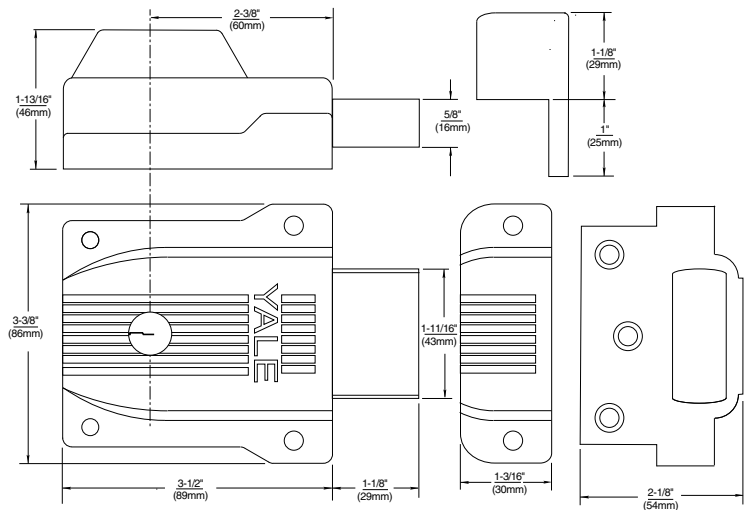
Outside: Furnished standard with 5-pin rim cylinder 1109E.

Inside: Turning the key throws or retracts the deadbolt. Also available with flat strike, model no. 112-1/4F (for outswinging doors).

Model Numbers

| | |
|----------|--------------------|
| 112-1/4 | Boxed |
| 112-1/4F | Flat Strike, Boxed |

DIMENSIONS AND DETAILS



TECHNICAL INFORMATION

| Description | 112-1/4 |
|--------------------|---|
| Backset | 2-3/8" (60mm) |
| Material | Zinc alloy |
| Deadbolt Length | 1-1/8" (29mm) |
| Cylinder (Outside) | 1109E Brass 5-pin with anti-pick mushroom drivers |
| Cylinder (Inside) | Fixed 3-pin Brass cylinder. No alternatives. |
| Case Finishes | Sprayed Brass only |
| Cylinder Finish | Brass |
| 2 Keys | RB8 |
| Door Thickness | 1-1/4" to 2-1/4" (32mm-57mm) |

Dimensions are shown in inches (millimeters).



Jimmy-Proof Deadlock 197

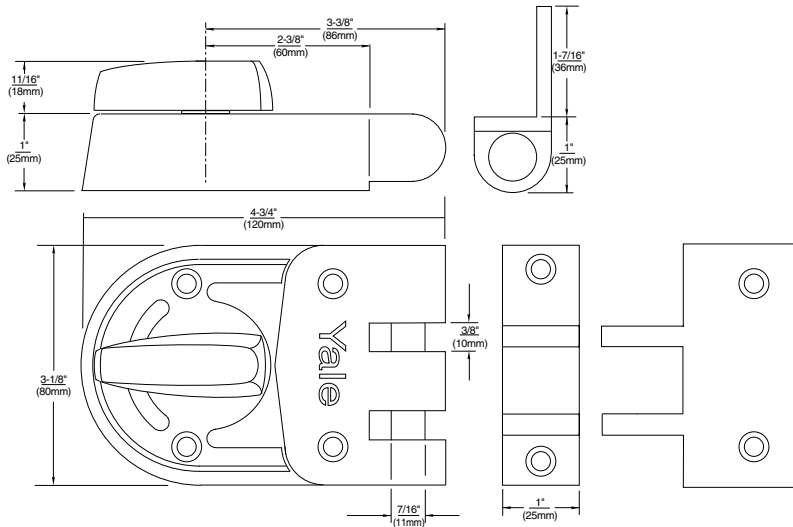


OPERATION

Outside: Furnished standard with 5-pin rim cylinder 1109E.

Inside: 90° turn of the thumbturn locks or unlocks deadbolt. Also available with flat strike, model no. 197F (for outswinging doors).

DIMENSIONS AND DETAILS



Model Numbers

| | |
|------|--------------------|
| 197 | Boxed |
| V197 | Visual Pack |
| 197F | Flat Strike, Boxed |

TECHNICAL INFORMATION

| Description | 197 |
|----------------------|---|
| Backset | 2-3/8" (60mm) |
| Material | Zinc Alloy |
| Deadbolt Length | N/A |
| Reversible Latchbolt | N/A |
| Cylinder | 1109E - Brass 5-pin with anti-pick mushroom drivers |
| Case Finishes | Sprayed Brass only |
| Cylinder Finish | Brass |
| 2 Keys | RB8 |
| Door Thickness | 1-1/4" to 2-1/4" (32mm-57mm) |

Dimensions are shown in inches (millimeters).



Jimmy-Proof Deadlock 197-1/4



OPERATION

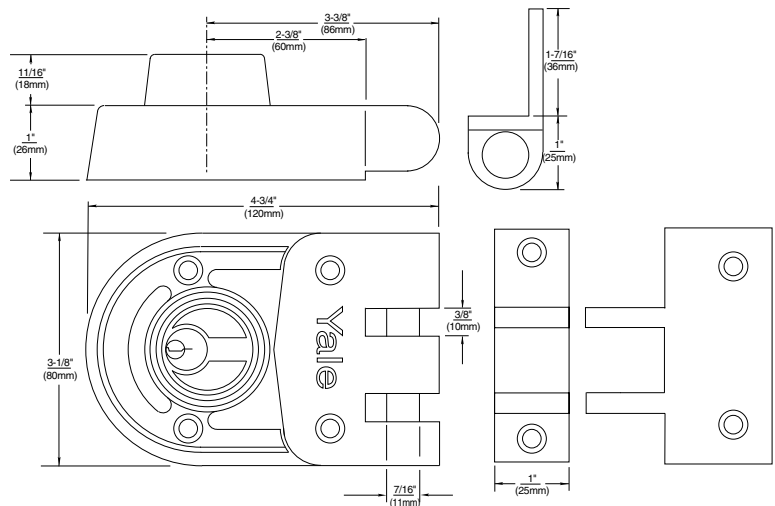
Outside: Furnished standard with 5-pin rim cylinder 1109E.

Inside: Key locks or unlocks deadbolt. Also available with flat strike, model no. 197-1/4F (for outswinging doors).

Model Numbers

| | |
|----------|--------------------|
| 197-1/4 | Boxed |
| V197-1/4 | Visual Pack |
| 197-1/4F | Flat Strike, Boxed |

DIMENSIONS AND DETAILS



TECHNICAL INFORMATION

| Description | 197-1/4 |
|----------------------|---|
| Backset | 2-3/8" (60mm) |
| Material | Zinc Alloy |
| Deadbolt Length | N/A |
| Reversible Latchbolt | N/A |
| Cylinder (Outside) | 1109E Brass 5-pin with anti-pick mushroom drivers |
| Cylinder (Inside) | Fixed 3-pin Brass cylinder. No alternatives. |
| Case Finishes | Sprayed Bronze only |
| Cylinder Finish | Brass |
| 2 Keys | RB8 |
| Door Thickness | 1-1/4" to 2-1/4" (32mm-57mm) |

Dimensions are shown in inches (millimeters).



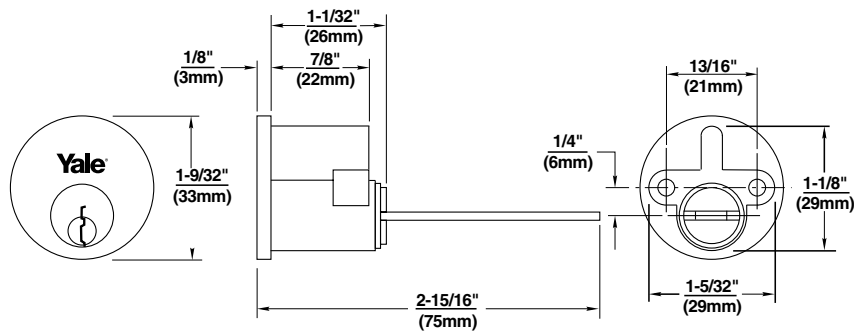
Auxiliary Rim Lock Components

CYLINDERS

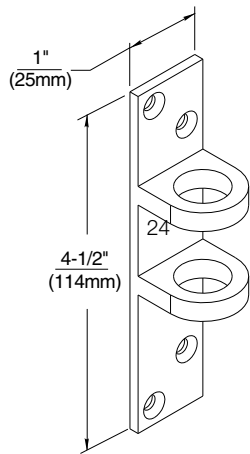
Yale® auxiliary rim locks 80, 88, 112, 112-1/4, 197, and 197-1/4 are shipped standard with an 1109E brass, 5-pin, E1R (PARA) section rim cylinder. The 1109E is not available as a replacement cylinder.

Note: 1109E depths and spacings are not compatible with other cylinders available from Yale Locks & Hardware.

For alternative rim cylinders, refer to Yale® KeyMark® and/or Yale Cylinder and Keys catalog sections.

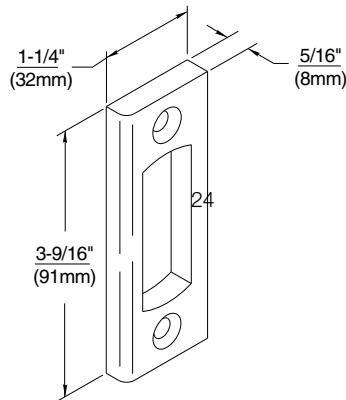


STRIKES



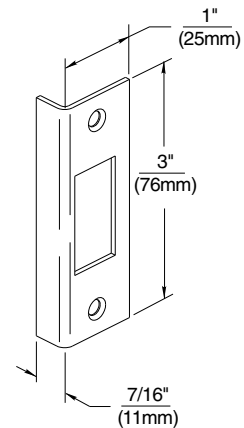
No. 197F Flat Strike

Used with 197F and 197-1/4F for outswing doors.



No. 112F Flat Strike

Used with 112F and 112-1/4F for outswing doors.



No. 8RB Rim Strike

Used with 80 and 88 for outswing doors.

Dimensions are shown in inches (millimeters).



Special Purpose Lock C1810

C1810 Letter Box Lock



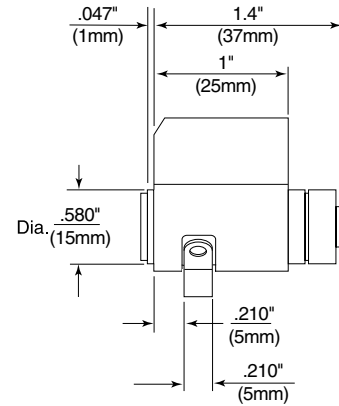
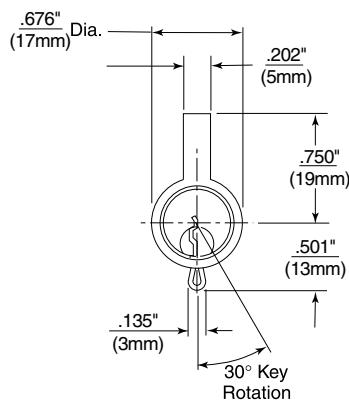
Finishes: 606 and 626.

Keying: Standard 5- or 6-pin, all cylinders drilled for 6-pin. Can be keyed into 7-pin system, first six pins active, or with special long cylinder with 7 active pins.

Available: KD standard. KA or MK (for special purposes) by order. Cannot be Construction Master Keyed. Two keys.

Cam: Part No. 30-0501-2001-999

Screws: Part No. 81-0021-1102-999



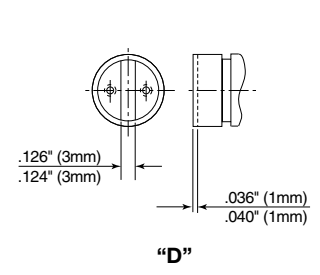
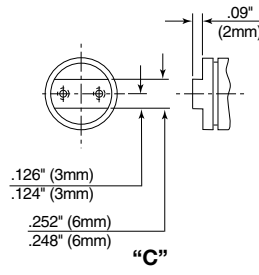
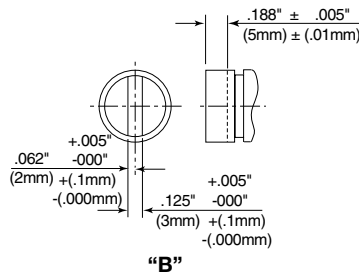
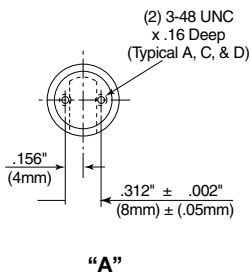
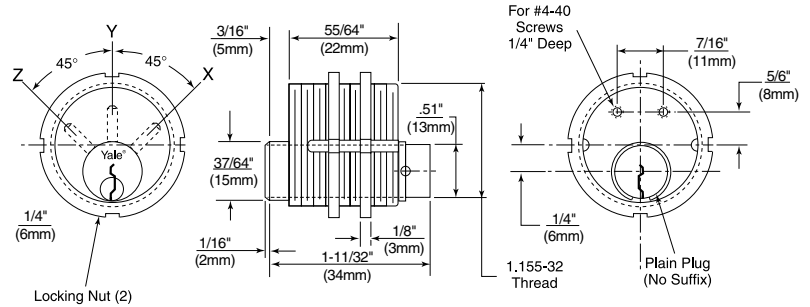


C900 Series Electrical Switch Cylinders



Operation: Key rotates plug 360°. Key removable in one, two, or three positions.
Material: Brass and bronze. Brass attaching nuts.

Finishes: 606, 626.
Keying: 5-pin tumblers; two No. 11 keys.
Cylinder Nut: Part No. 60-7000-2421-000



ONE-POSITION KEY REMOVABLE

| Model No. | Key Rem. Pos. | Plug Config. | Old Model No. | Model No. | Key Rem. Pos. | Plug Config. | Old Model No. |
|-----------|---------------|--------------|---------------|-----------|---------------|--------------|---------------|
| C910 | Y | Plain | C950 | C911 | Z | Plain | C951 |
| C910A | Y | A | C950A | C911A | Z | A | C951B |
| C910B | Y | B | C950B | C911B | Z | B | C951D |
| C910C | Y | C | C954A | C911C | Z | C | -- |
| C910D | Y | D | C950A | C911D | Z | D | -- |

TWO-POSITION KEY REMOVABLE

| Model No. | Key Rem. Pos. | Plug Config. | Old Model No. | Model No. | Key Rem. Pos. | Plug Config. | Old Model No. |
|-----------|---------------|--------------|---------------|-----------|---------------|--------------|---------------|
| C920 | X-Y | Plain | C960 | C921C | Y-Z | C | C953A |
| C920A | X-Y | A | C960A | C921D | Y-Z | D | -- |
| C920B | X-Y | B | C960B | C922 | X-Z | Plain | C972 |
| C920C | X-Y | C | C952A | C922A | X-Z | A | -- |
| C920D | X-Y | D | -- | C922B | X-Z | B | -- |
| C921 | Y-Z | Plain | -- | C922C | X-Z | C | -- |
| C921A | Y-Z | A | C951A | C922D | X-Z | D | -- |
| C921B | Y-Z | B | C951C | | | | |

THREE-POSITION KEY REMOVABLE

| Model No. | Key Rem. Pos. | Plug Config. | Old Model No. |
|-----------|---------------|--------------|---------------|
| C930 | X-Y-Z | Plain | C971 |
| C930A | X-Y-Z | A | C971A |
| C930B | X-Y-Z | B | C971B |
| C930C | X-Y-Z | C | -- |
| C930D | X-Y-Z | D | -- |

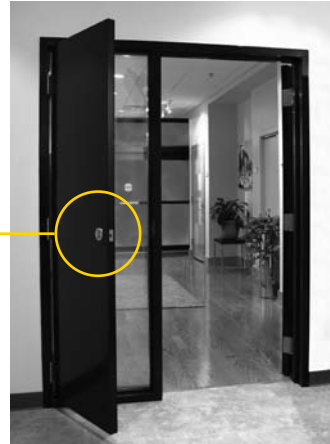
WHEN ORDERING

Specify keyway and bitting No. (C910 and C911 models can be master keyed). Specify finish. (Standard finishes 606 and 626.) If mounting nuts are not required, specify "w/o nuts."

Dimensions are shown in inches (millimeters).



YSSL10 Auxiliary Latch



Security Sidelite offered through CECO and CURRIES

The YSSL10 is a spring loaded latchbolt which is operated by a thumbturn on the inside of the door. The outside does not offer operation. This latch is only recommended for areas with alternate exits.

The YSSL10, when combined with ASSA ABLOY Group brands CECO and CURRIES' Security SideLite doors, offers an effective solution for privacy or lockdown situations.

APPLICATIONS

- ▶ Security SideLite doors offered by CECO and CURRIES
- ▶ Dutch doors
- ▶ Communicating doors
- ▶ Shallow closets

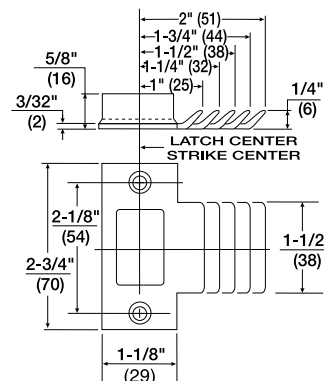
TECHNICAL INFORMATION

| Description | YSSL10 |
|----------------|---|
| ADA | ADA compliant thumbturn. |
| Fire Listings | UL - cUL fire rated up to 3 hours. |
| Backset | 2-3/4" (70mm) only. |
| Latchbolt | 1/2" (13mm) brass throw. |
| Door Thickness | 1-3/4" (44mm) only. |
| Front | 2-1/4" x 1" (57mm x 25mm) flat front. |
| Handing | Functions are non-handed and easily field reversible. |
| Finishes | 605, 606, 612, 625, 626 |
| Strike | 1-1/4" (32mm) curved lip standard (model number 371). |
| Warranty | 1 year mechanical |

STRIKE

Model No. 371 T-Strike

1-1/4" curved lip supplied standard. 1", 1-1/2", 1-3/4", and 2" curved lip lengths available by special order. Wrought strike box supplied.





Notes

Contact Us

The world's favorite lock



U.S.A.

Yale Locks & Hardware

Address: 225 Episcopal Road
Berlin, CT 06037-4004
Tel: 1-800-438-1951
Fax: 1-800-338-0965
yalelocks.com

Canada:

ASSA ABLOY Door Security Solutions Canada

Address: 160 Four Valley Drive
Vaughan, Ontario L4K 4T9
Tel: 1-800-461-3007
Fax: 1-800-461-8989
assaabloy.ca

International:

ASSA ABLOY Americas International

Tel: 1-905-821-7775
Fax: 1-905-821-1429
assaabloyai.com

Copyright © 2002-2018, Yale Security, Inc., an ASSA ABLOY Group company. All rights reserved. Reproduction in whole or in part without the express written permission of Yale Security, Inc. is prohibited. Patent pending and/or patent www.assaabloydss.com/patents.

YALE, with its unique global reach and range of products, is the world's favorite lock.

ASSA ABLOY is the global leader in door opening solutions, dedicated to satisfying end-user needs for security, safety and convenience.

42117-4/18R